



Installation Instructions for IUP014E
Ford Ranger / Mazda BT50
Underbody Protection Plate

Engine Bay



FORD RANGER; (2.2D, 3.2D - AT + MT)
MAZDA BT50; (2.2D, 3.2D - AT + MT)

2011+
2011+

Part Number:

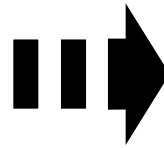
IUP014E

Installation Time:

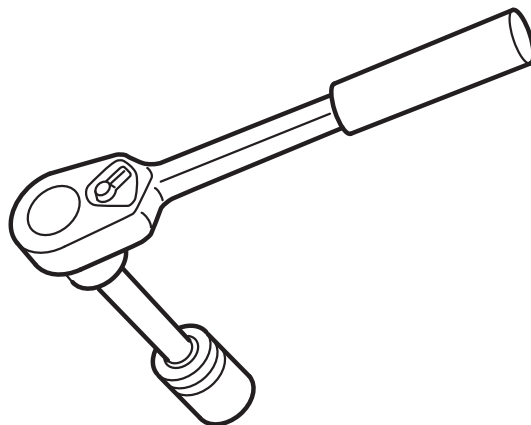
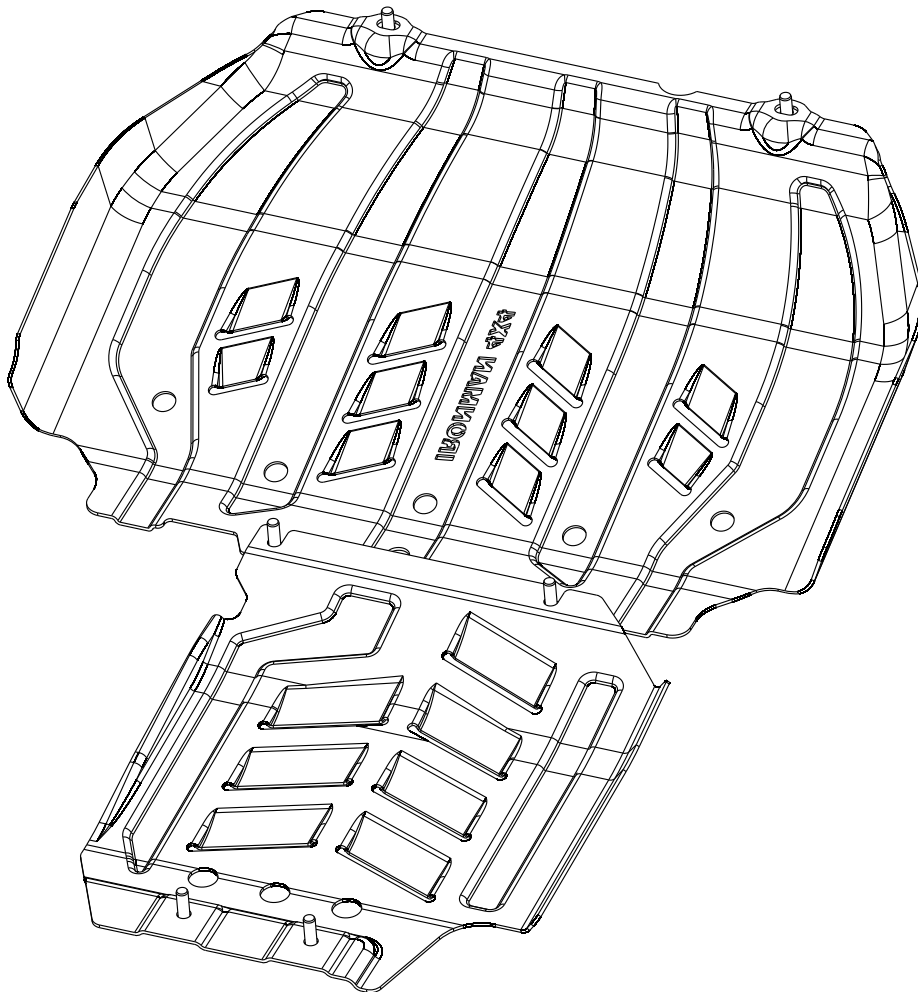
30 min



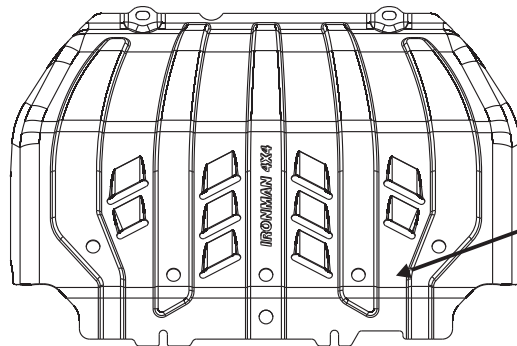
Location/Position Arrow



Movement Arrow

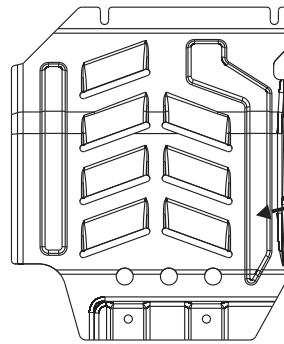


A



A1

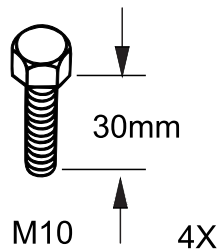
1X



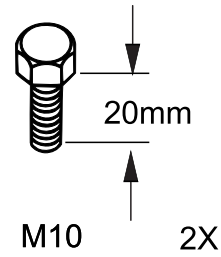
A2

1X

B



C



D



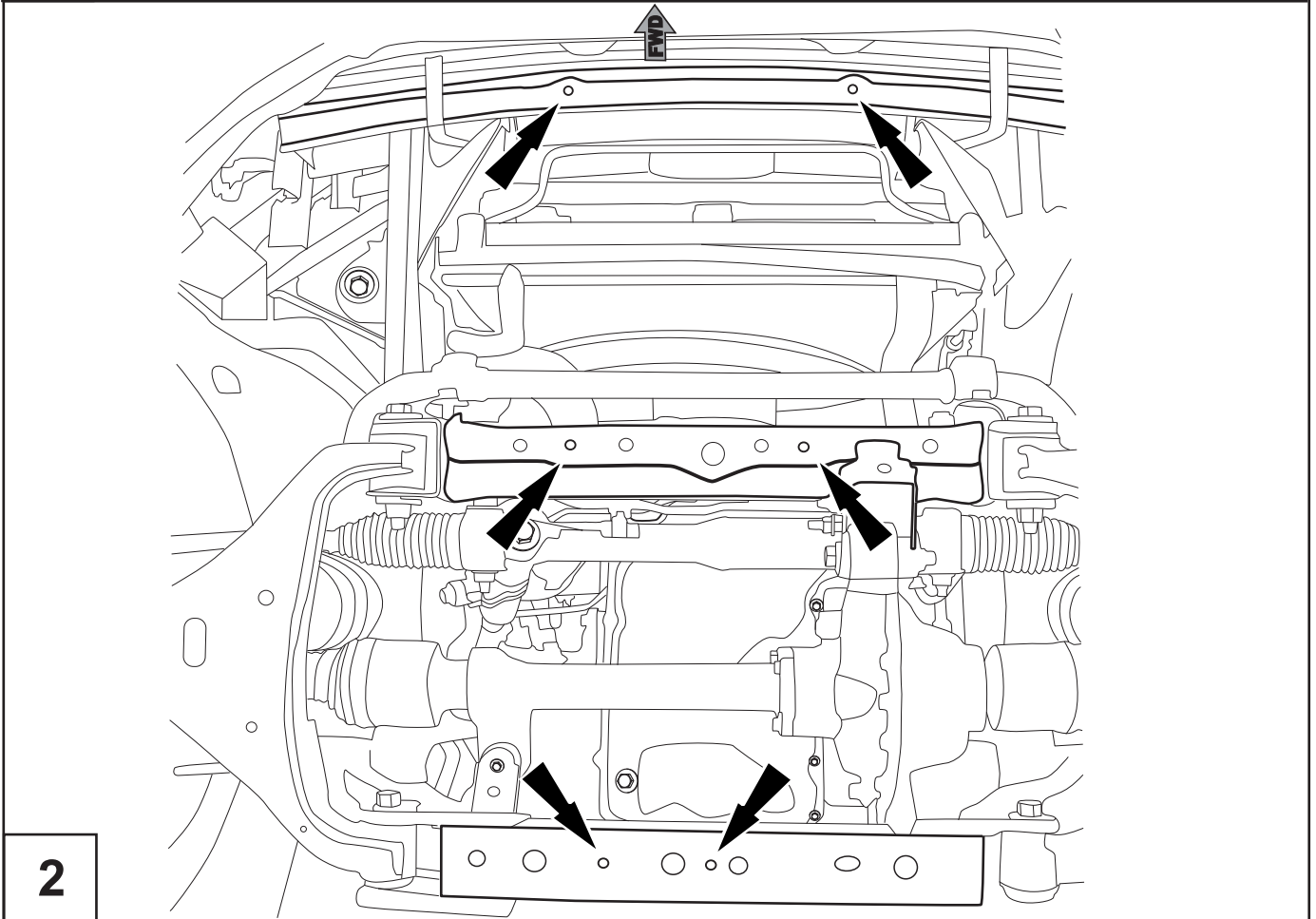
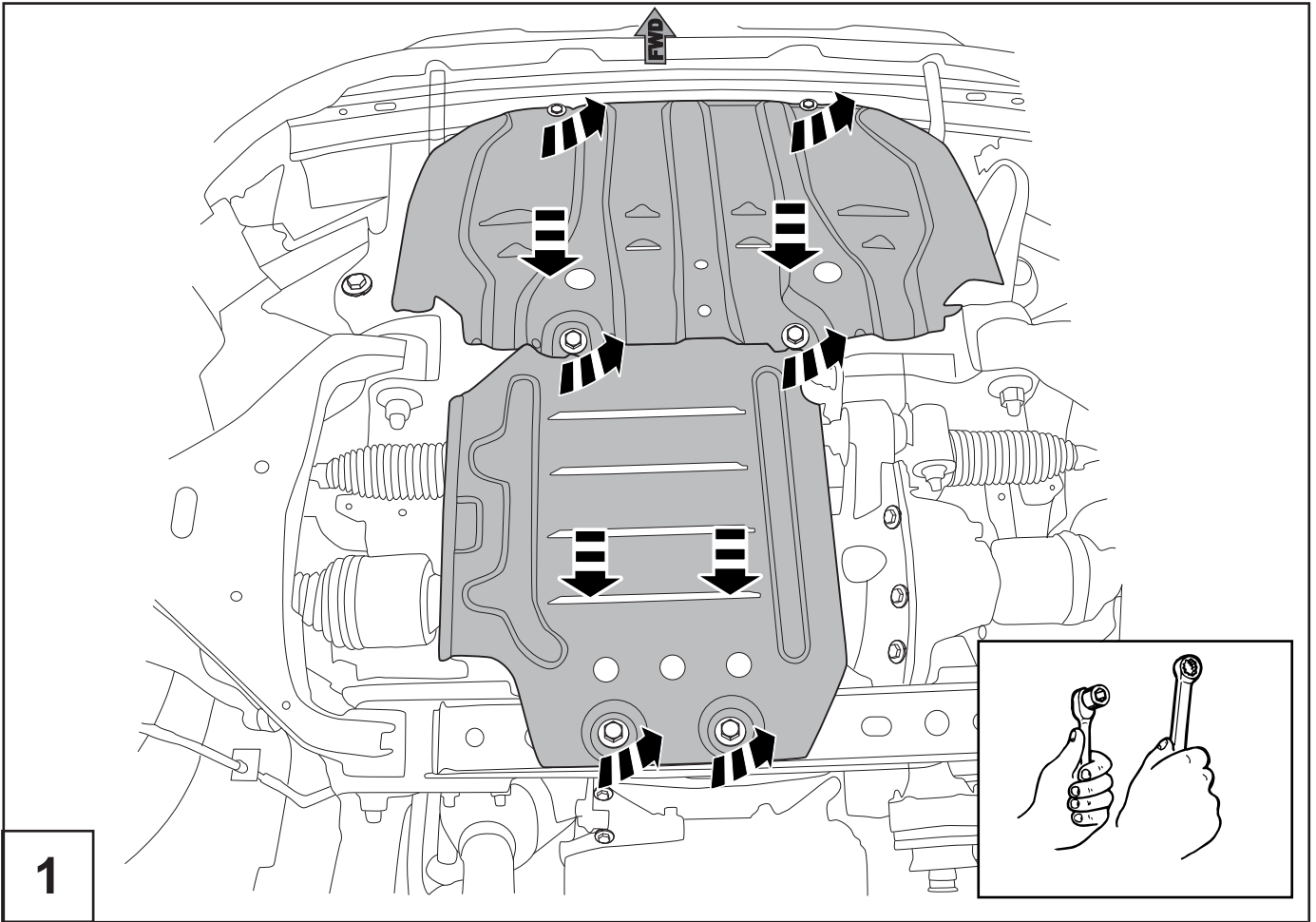
Ø10 6X

www.ironman4x4.com

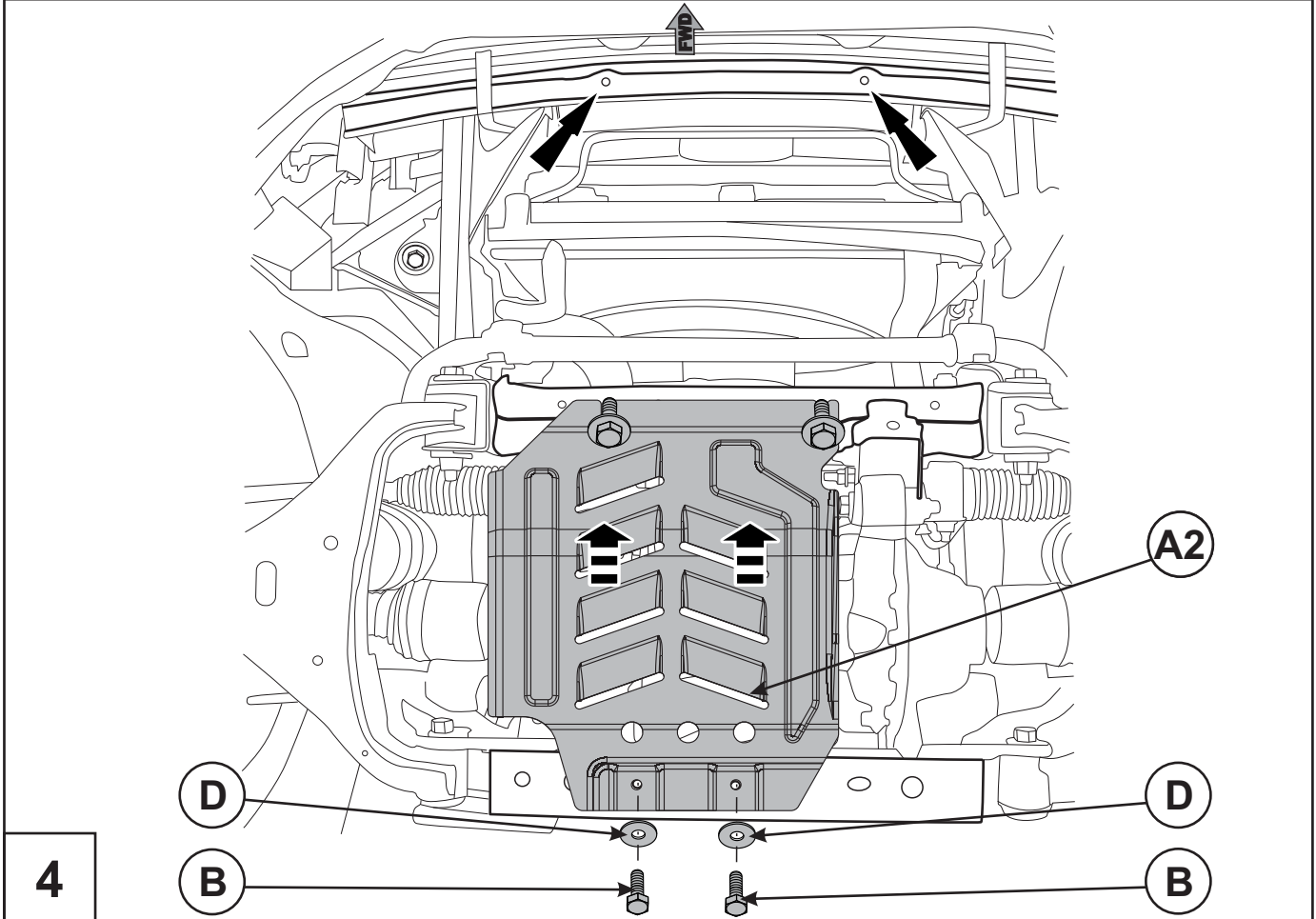
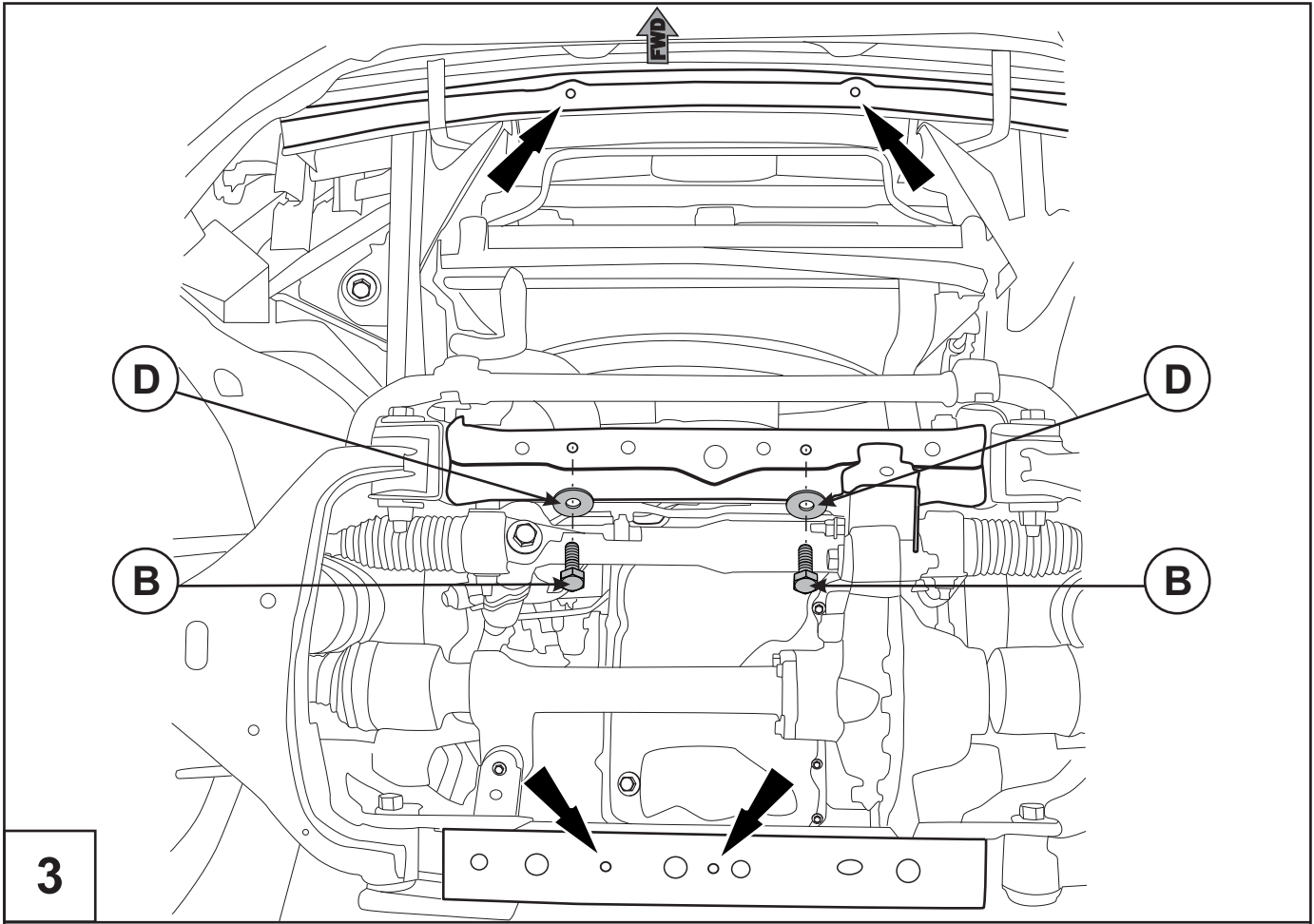
**IRONMAN 4X4
MELBOURNE SHOWROOM**
Cnr Centre & Westall Roads,
Clayton, Victoria 3168
Telephone +61 3 9532 1111

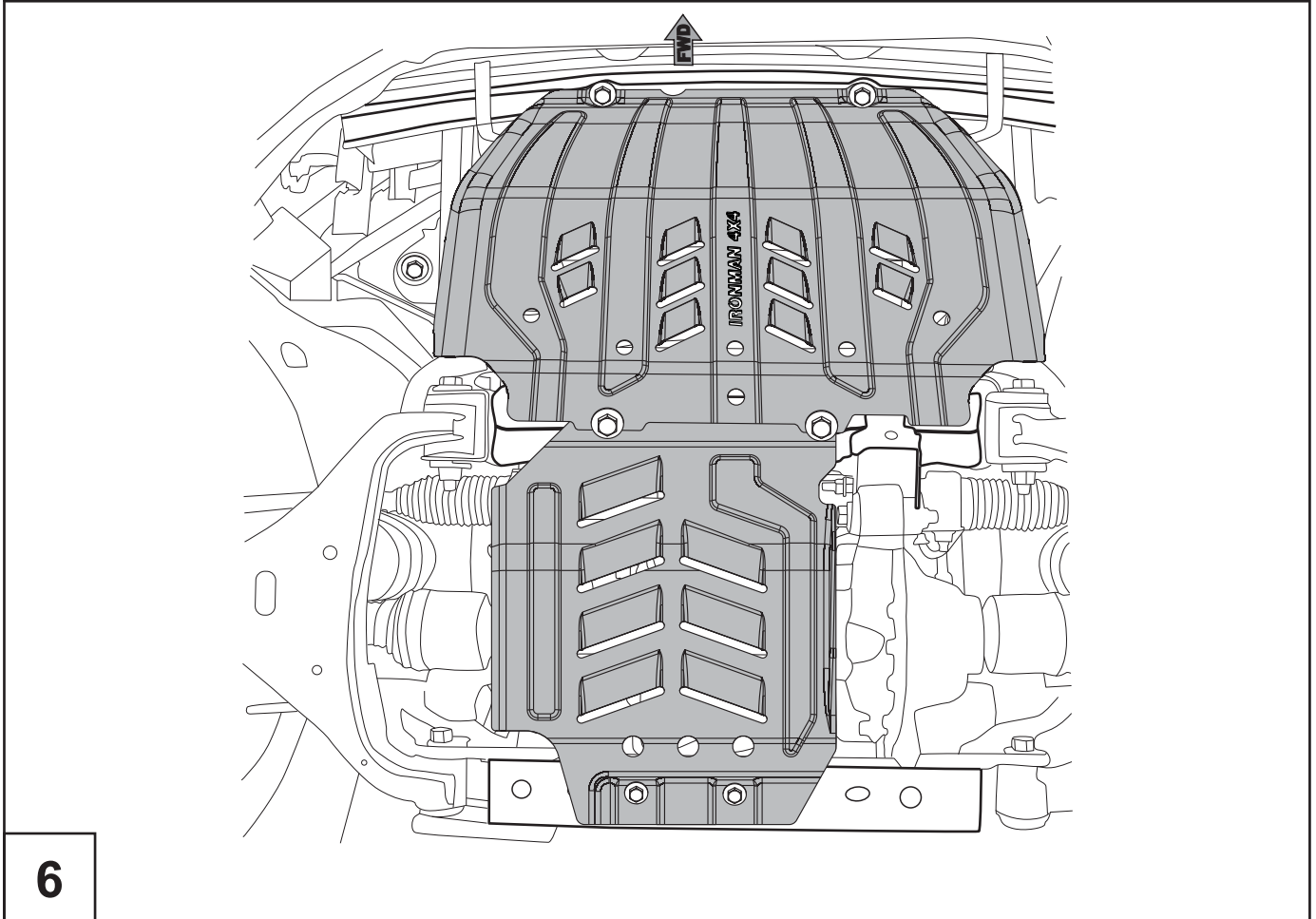
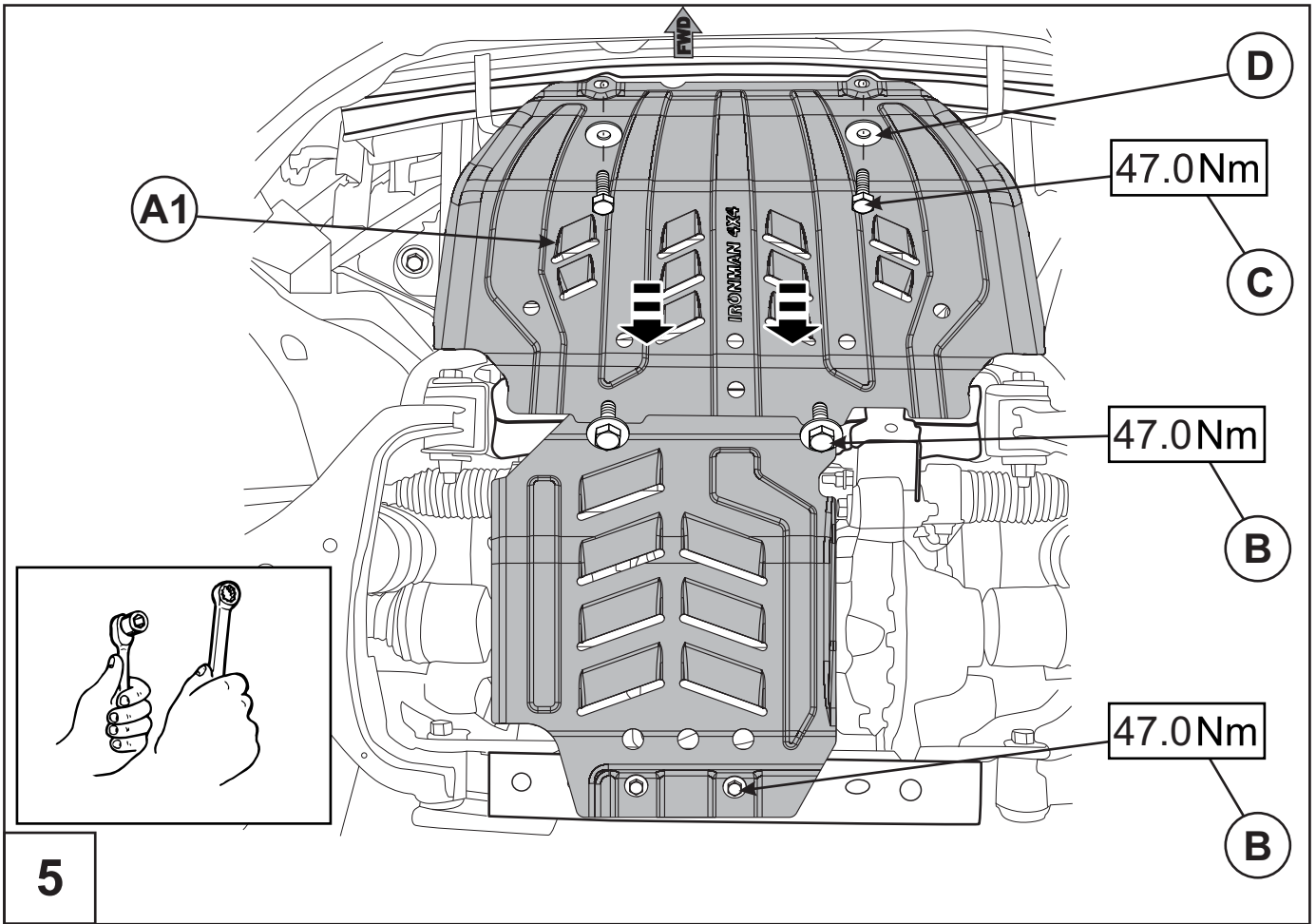
**IRONMAN 4X4
BRISBANE SHOWROOM**
1 Hinkler Court
Brendale, QLD, 4500
Telephone (07) 3482 9500

**IRONMAN 4X4
PERTH SHOWROOM**
Unit 9/511 Abernethy Road
Kewdale, WA, 6105
Telephone (08) 6254 4444



IUP014E







Installation Instructions for IUP014T
Ford Ranger / Mazda BT50
Underbody Protection Plate

Transmission



FORD RANGER; (2.2D, 3.2D - AT + MT)
MAZDA BT50; (2.2D, 3.2D - AT + MT)

2011+
2011+

Part Number:

IUP014T

Installation Time:

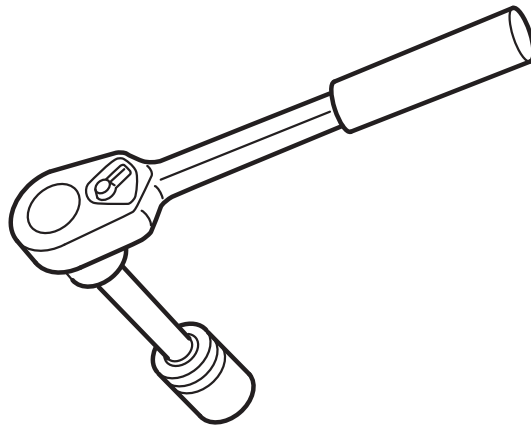
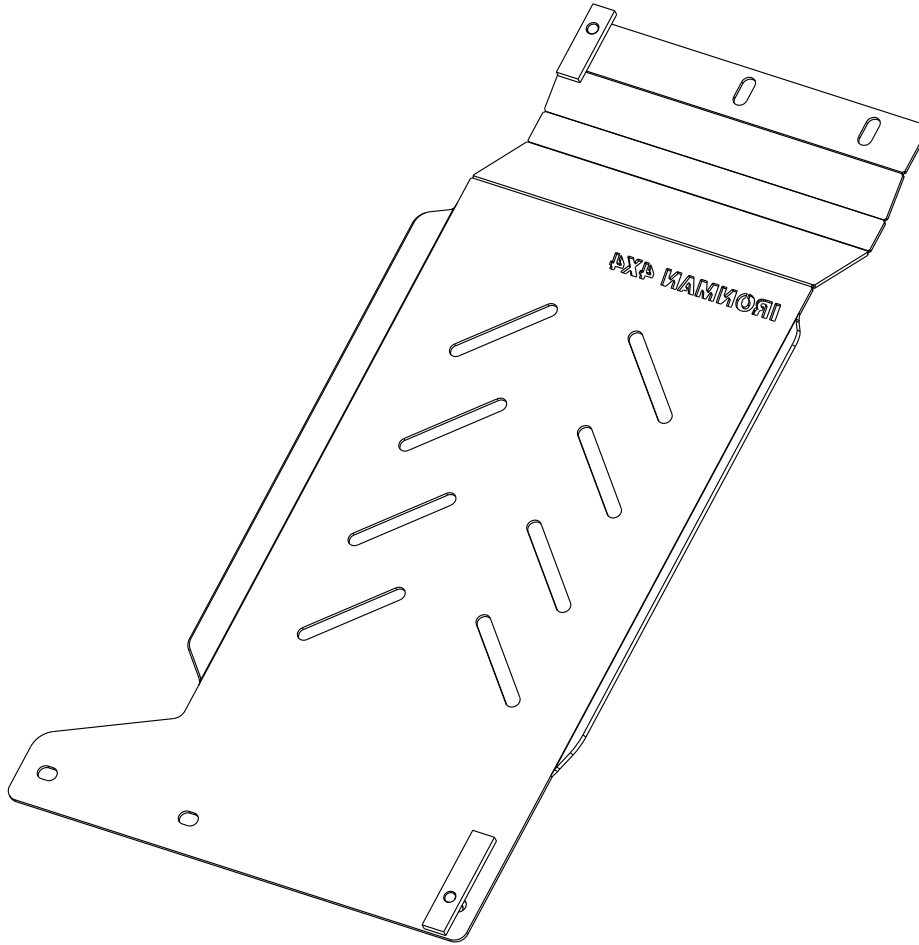
30 min



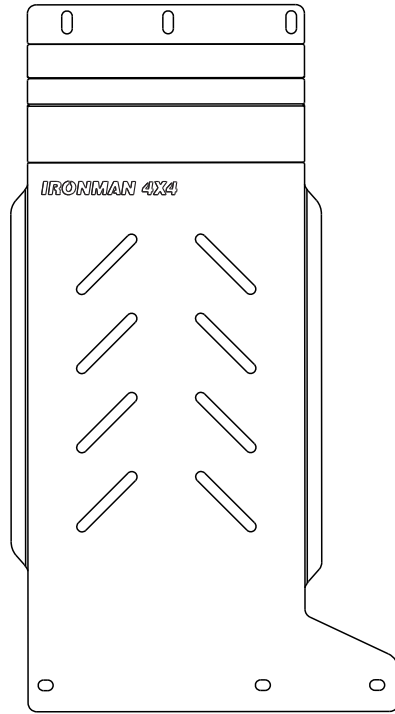
Location / Position Arrow



Movement Arrow

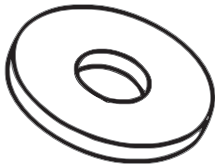


A



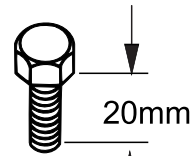
1X

B



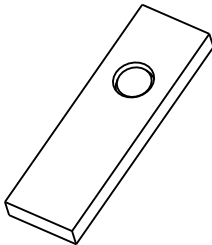
Ø10 2X

C



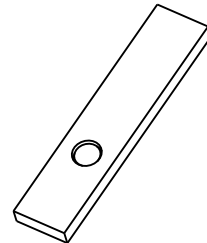
M10 2X

D

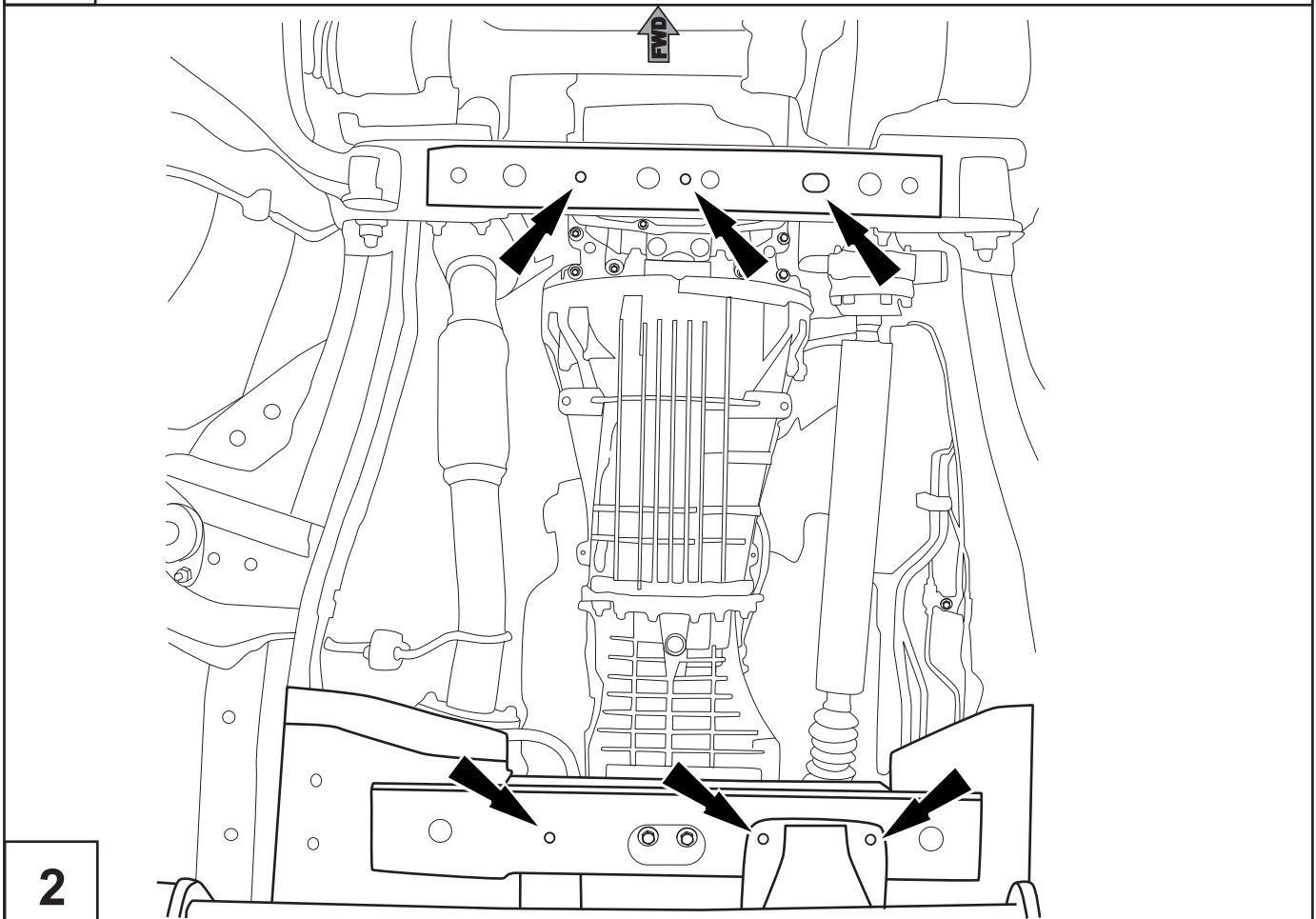
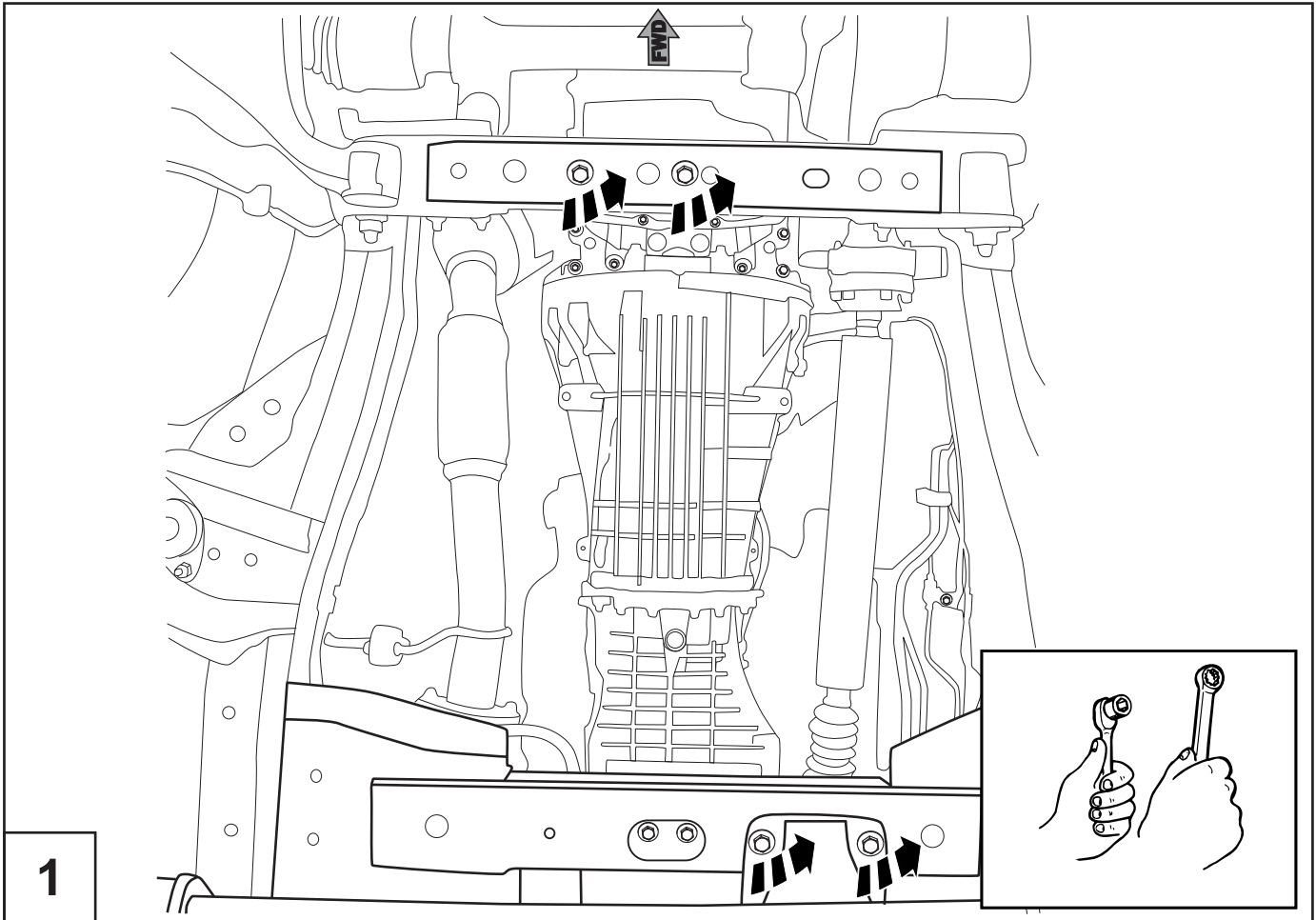


1X

E

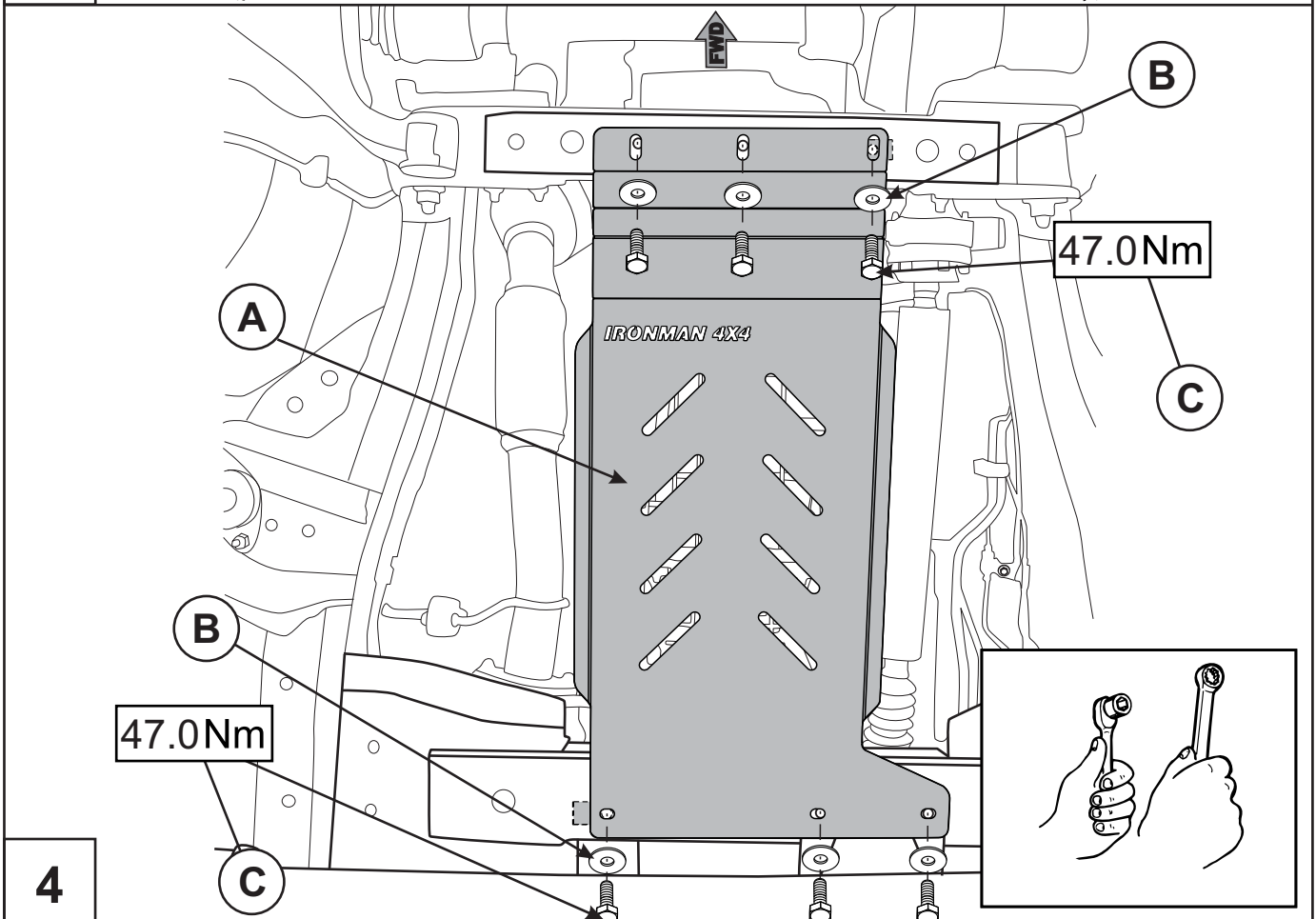
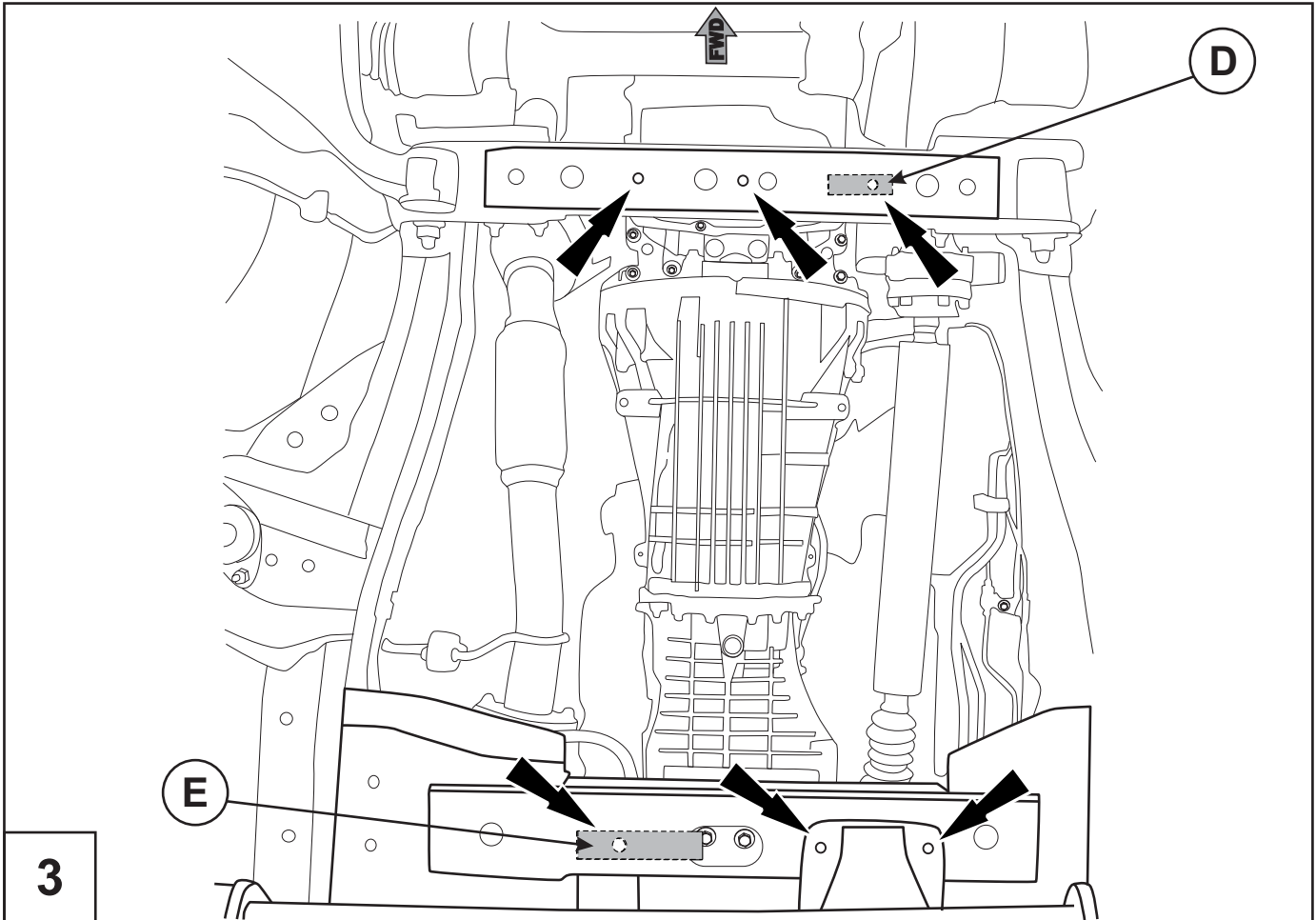


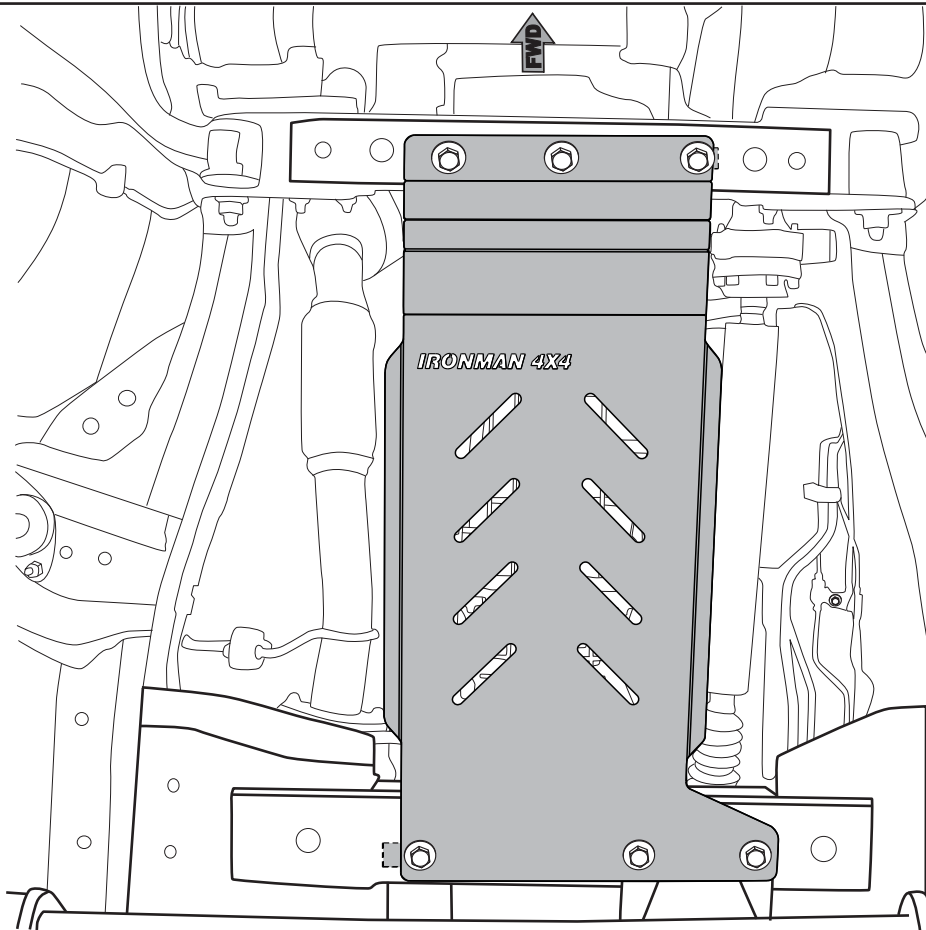
1X



IUP014T







5

www.ironman4x4.com

**IRONMAN 4X4
MELBOURNE SHOWROOM**
Cnr Centre & Westall Roads,
Clayton, Victoria 3168
Telephone +61 3 9532 1111

**IRONMAN 4X4
BRISBANE SHOWROOM**
1 Hinkler Court
Brendale, QLD, 4500
Telephone (07) 3482 9500

**IRONMAN 4X4
PERTH SHOWROOM**
Unit 9/511 Abernethy Road
Kewdale, WA, 6105
Telephone (08) 6254 4444



IUP014T

6/6