



Fitment Instructions

Model: Nissan Navara D40

Underbody Protection Plate

Part Number: IUP007E

Engine Bay

Years: 2005 -

Engine type: 2.5 dCi, 2.5 dCi (4WD)

APPLICATION:

Protection of engine bay and transmission elements from damage.
Protection of engine bay and transmission elements from dust and water.

INSTALLATION:

This protection plate has been designed for installation to the intended application only. It should be mounted according to these installation instructions by an experienced Ironman 4x4 dealer or certified fitter. The plate is fixed to original vehicle mountings located on the vehicle's body load-bearing elements. Upon successful installation the plate should not interfere with any other parts or components.

INSTALLATION MANUAL:

1. Install threaded inserts into the front subframe.
2. Install the plate to the vehicle using the threaded inserts.
3. Tighten all screw joints.

WARRANTY:

Warranty period - 12 Months

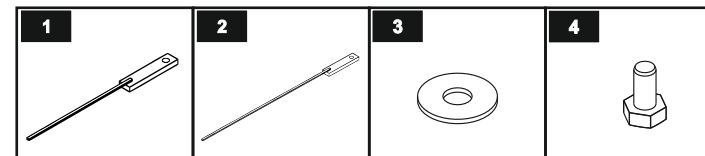
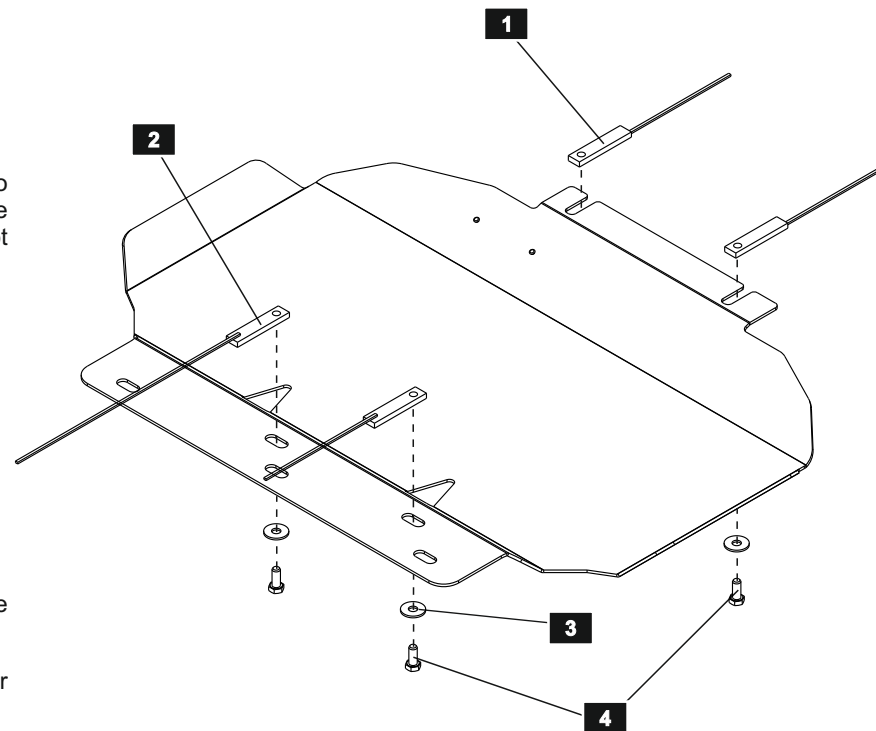
WARRANTY TERMS:

The plate should only be installed on a vehicle with undamaged body and load-bearing elements, vehicles which have been involved in a significant collision may prevent successful installation.

Ironman 4x4 does not bear liability for any damages caused to the vehicle, or injury to persons in case of installation or product failure. Ironman 4x4 has a right to introduce changes into the skid plate construction.



The Quality Management System at production has been audited by Bureau Veritas Certification and conforms to requirements of the ISO 9001:2008 standard.



LIST OF PARTS

NO.	NAME	QTY.
1	Tailed threaded insert	3
2	Tailed threaded insert	1
3	Washer 8	4
4	Bolt M8x20	4

Thread	M6x1.0	M8x1.25	M10x1.5	M12x1.75
Tightening torque	9.8 Nm	24.0 Nm	47.0 Nm	81.0 Nm

www.ironman4x4.com

**IRONMAN 4X4
MELBOURNE SHOWROOM**
Cnr Centre & Westall Roads,
Clayton, Victoria 3168
Telephone +61 3 9532 1111

**IRONMAN 4X4
BRISBANE SHOWROOM**
1 Hinkler Court
Brendale, QLD, 4500
Telephone (07) 3482 9500

**IRONMAN 4X4
PERTH SHOWROOM**
Unit 9/511 Abernethy Road
Kewdale, WA, 6105
Telephone (08) 6254 4444



Fitment Instructions

Model: Nissan Navara D40

Underbody Protection Plate

Part Number: IUP007R

Radiator

Years: 2005 -

Engine type: 2.5 dCi, 2.5 dCi (4WD)

APPLICATION:

Protection of engine bay and transmission elements from damage.
Protection of engine bay and transmission elements from dust and water.

INSTALLATION:

This protection plate has been designed for installation to the intended application only. It should be mounted according to these installation instructions by an experienced Ironman 4x4 dealer or certified fitter. The plate is fixed to original vehicle mountings located on the vehicle's body load-bearing elements. Upon successful installation the plate should not interfere with any other parts or components.

INSTALLATION MANUAL:

1. Remove OE protection plate.
2. Remove the towing hook.
3. Install both side wings "1" to OE points on the chassis. Don't tighten the bolts at this stage.
4. Position the radiator plate with the side wings to the inside.
5. Install the front of the plate to the radiator support OE points.
6. Mount the rear of the plate to the front crossmember OE points using the supplied hardware.
7. Bolt the radiator plate to the inside of the mounted wings using the supplied hardware.
8. Tighten all screw joints.


WARRANTY:

Warranty period - 12 Months

WARRANTY TERMS:

The plate should only be installed on a vehicle with undamaged body and load-bearing elements, vehicles which have been involved in a significant collision may prevent successful installation.

Ironman 4x4 does not bear liability for any damages caused to the vehicle, or injury to persons in case of installation or product failure. Ironman 4x4 has a right to introduce changes into the skid plate construction.

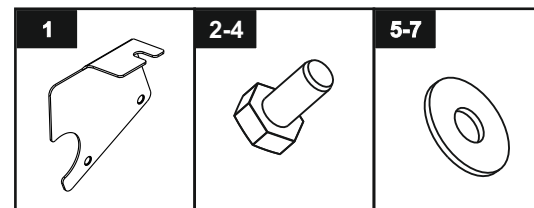
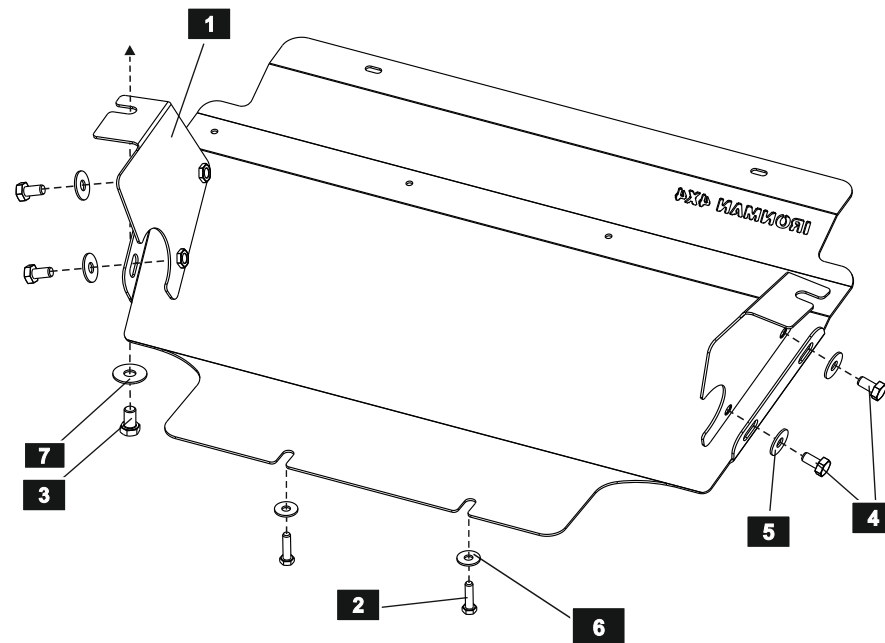
 The Quality Management System at production has been audited by Bureau Veritas Certification and conforms to requirements of the ISO 9001:2008 standard.

www.ironman4x4.com

**IRONMAN 4X4
MELBOURNE SHOWROOM**
Cnr Centre & Westall Roads,
Clayton, Victoria 3168
Telephone +61 3 9532 1111

**IRONMAN 4X4
BRISBANE SHOWROOM**
1 Hinkler Court
Brendale, QLD, 4500
Telephone (07) 3482 9500

**IRONMAN 4X4
PERTH SHOWROOM**
Unit 9/511 Abernethy Road
Kewdale, WA, 6105
Telephone (08) 6254 4444



LIST OF PARTS

NO.	NAME	QTY.	NO.	NAME	QTY.
1	Side Wing	2	5	Washer 10	4
2	Bolt M8x30	2	6	Washer 8	2
3	Bolt M12x1,25x20	1	7	Washer 12	1
4	Bolt M10x20	4	8		

Thread	M6x1.0	M8x1.25	M10x1.5	M12x1.75
Tightening torque	9.8 Nm	24.0 Nm	47.0 Nm	81.0 Nm



Fitment Instructions

Model: Nissan Navara D40

Underbody Protection Plate

Part Number: IUP007T

Transmission

Years: 2005 -

Engine type: 2.5 dCi, 2.5 dCi (4WD)

APPLICATION:

Protection of engine bay and transmission elements from damage.
Protection of engine bay and transmission elements from dust and water.

INSTALLATION:

This protection plate has been designed for installation to the intended application only. It should be mounted according to these installation instructions by an experienced Ironman 4x4 dealer or certified fitter. The plate is fixed to original vehicle mountings located on the vehicle's body load-bearing elements. Upon successful installation the plate should not interfere with any other parts or components.

INSTALLATION MANUAL:

1. This plate is installed after installation of engine bay plate.
2. Mount threaded inserts "2" and "3" over apertures of transmission beam.
3. Install front of plate "A" to engine bay plate using the supplied hardware, and the rear to the threaded inserts.
4. Install threaded insert "1" over aperture in fuel tank beam.
5. Mount front of plate "B" with the rear of part "A" together with the mounted inserts, install rear of part "B" with threaded insert "1" using supplied hardware.
6. Tighten all screw joints.

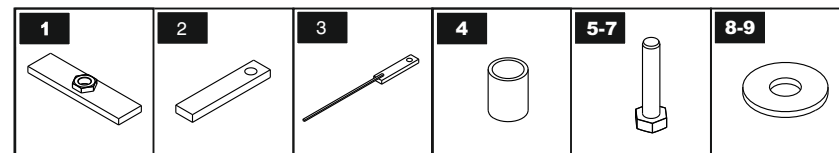
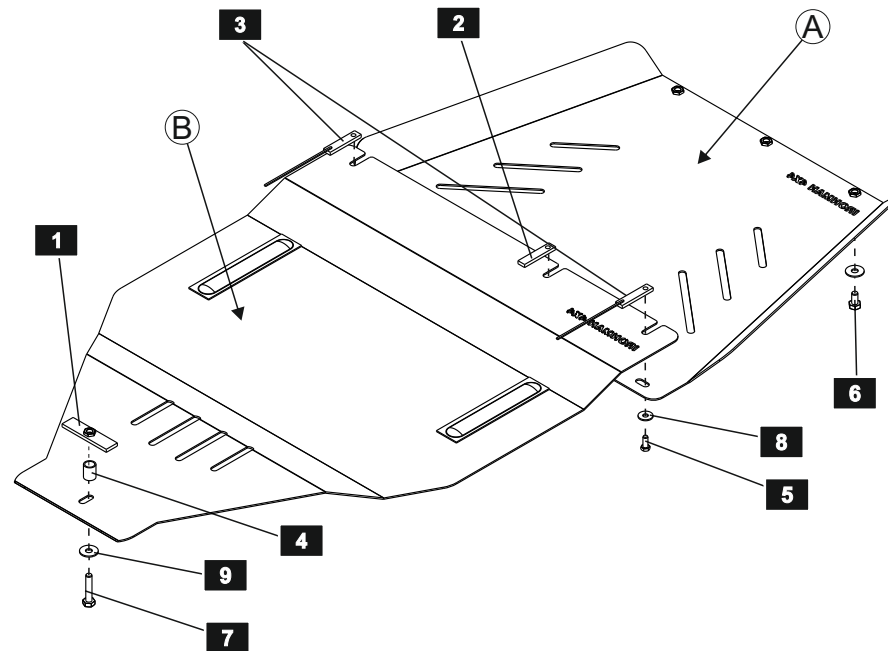
WARRANTY:

Warranty period - 12 Months

WARRANTY TERMS:

The plate should only be installed on a vehicle with undamaged body and load-bearing elements, vehicles which have been involved in a significant collision may prevent successful installation.


Ironman 4x4 does not bear liability for any damages caused to the vehicle, or injury to persons in case of installation or product failure. Ironman 4x4 has a right to introduce changes into the skid plate construction.



LIST OF PARTS

NO.	NAME	QTY.	NO.	NAME	QTY.
1	Threaded insert	1	7	Bolt M10x50	1
2	Threaded insert	1	8	Washer 8	3
3	Tailed threaded insert	2	9	Washer 10	4
4	Tube	1	10		
5	Bolt M8x20	3	11		
6	Bolt M10x20	3	12		

Thread	M6x1.0	M8x1.25	M10x1.5	M12x1.75
Tightening torque	9.8 Nm	24.0 Nm	47.0 Nm	81.0 Nm

 The Quality Management System at production has been audited by Bureau Veritas Certification and conforms to requirements of the ISO 9001:2008 standard.

www.ironman4x4.com

**IRONMAN 4X4
MELBOURNE SHOWROOM**
Cnr Centre & Westall Roads,
Clayton, Victoria 3168
Telephone +61 3 9532 1111

**IRONMAN 4X4
BRISBANE SHOWROOM**
1 Hinkler Court
Brendale, QLD, 4500
Telephone (07) 3482 9500

**IRONMAN 4X4
PERTH SHOWROOM**
Unit 9/511 Abernethy Road
Kewdale, WA, 6105
Telephone (08) 6254 4444