



Installation Instructions for IUP004E Toyota Land Cruiser 200 Underbody Protection Plate Engine Bay



Model Year 2007-

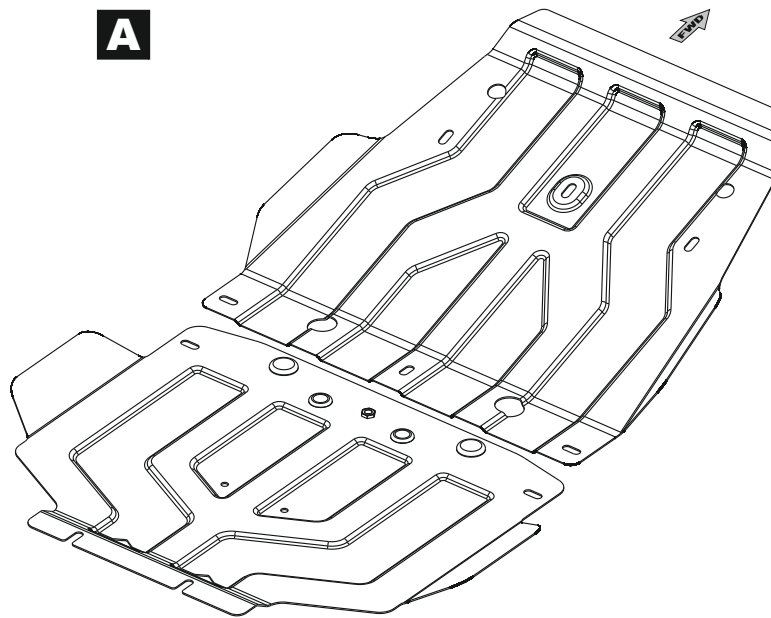
Part Number IUP004E



Weight 14.8Kg

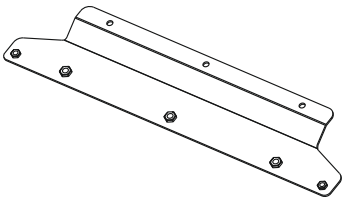


Installation Time 30min



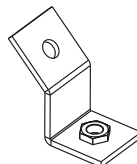
IUP004E

B



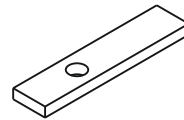
X1

C



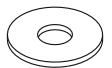
X2

D



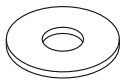
X2

E1



X2 Ø8

E2



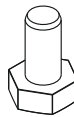
X10 Ø10

F1



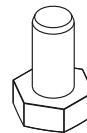
2x M 8x20

F2



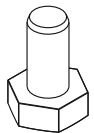
6x M 10x20

F3

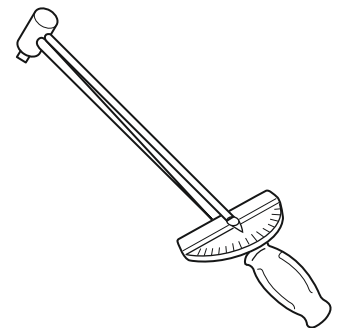
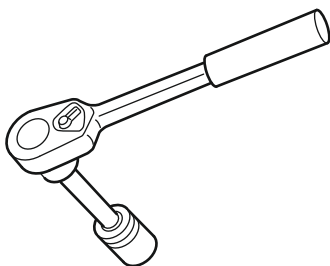


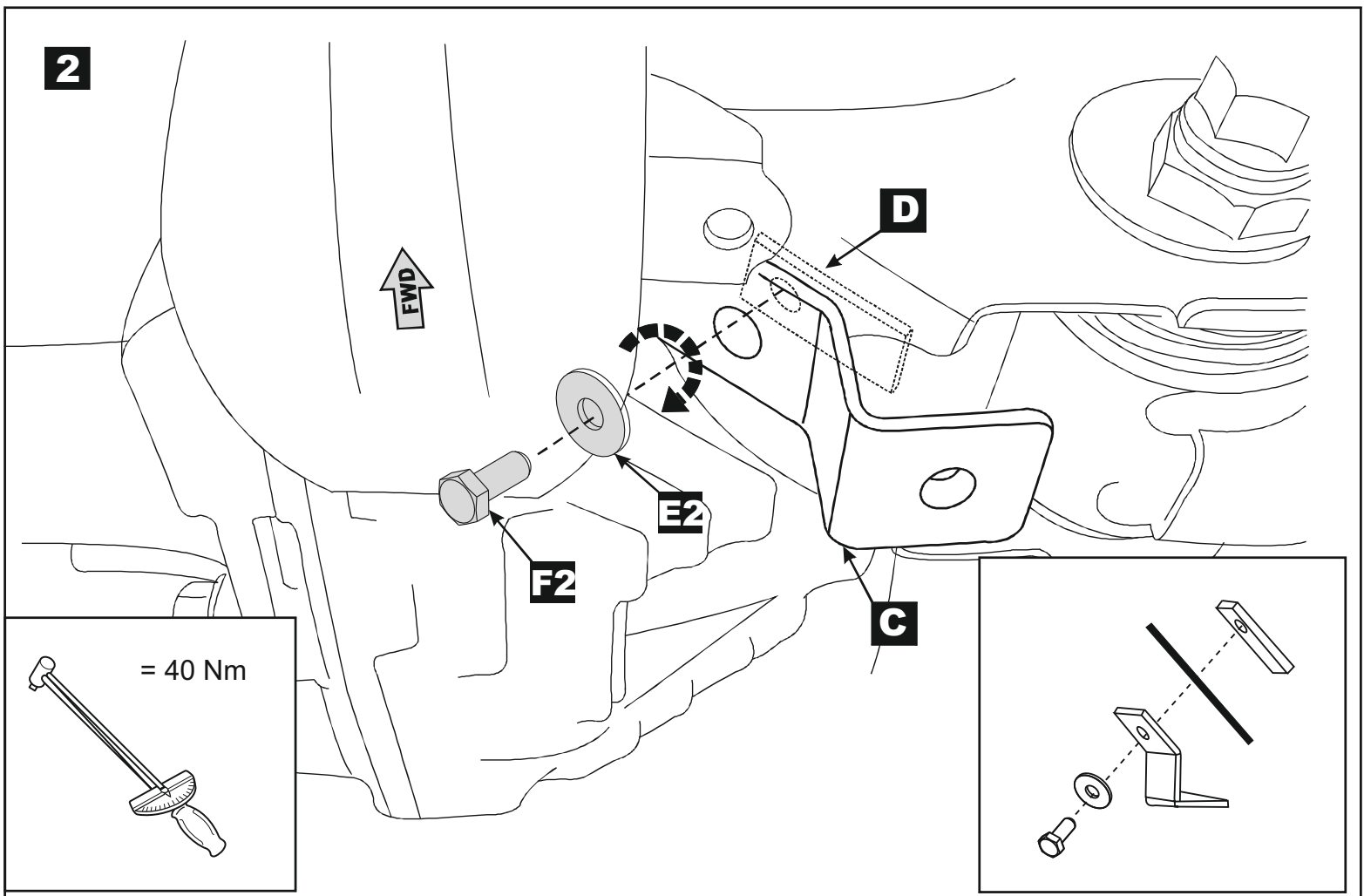
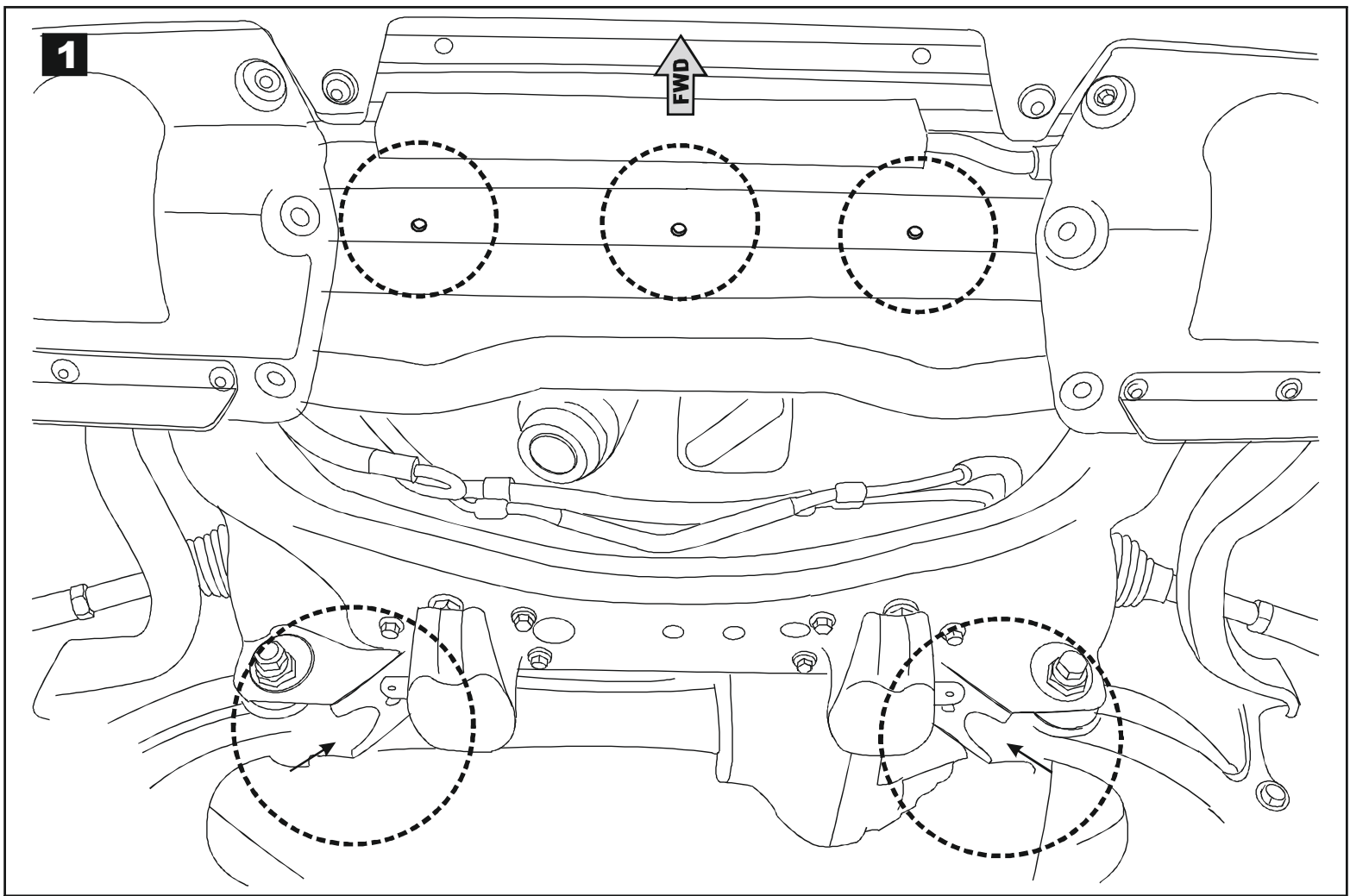
2x M 10x30

F4

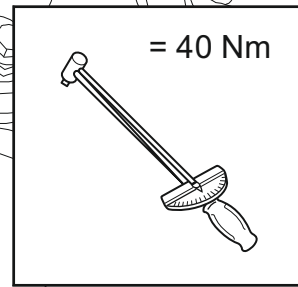
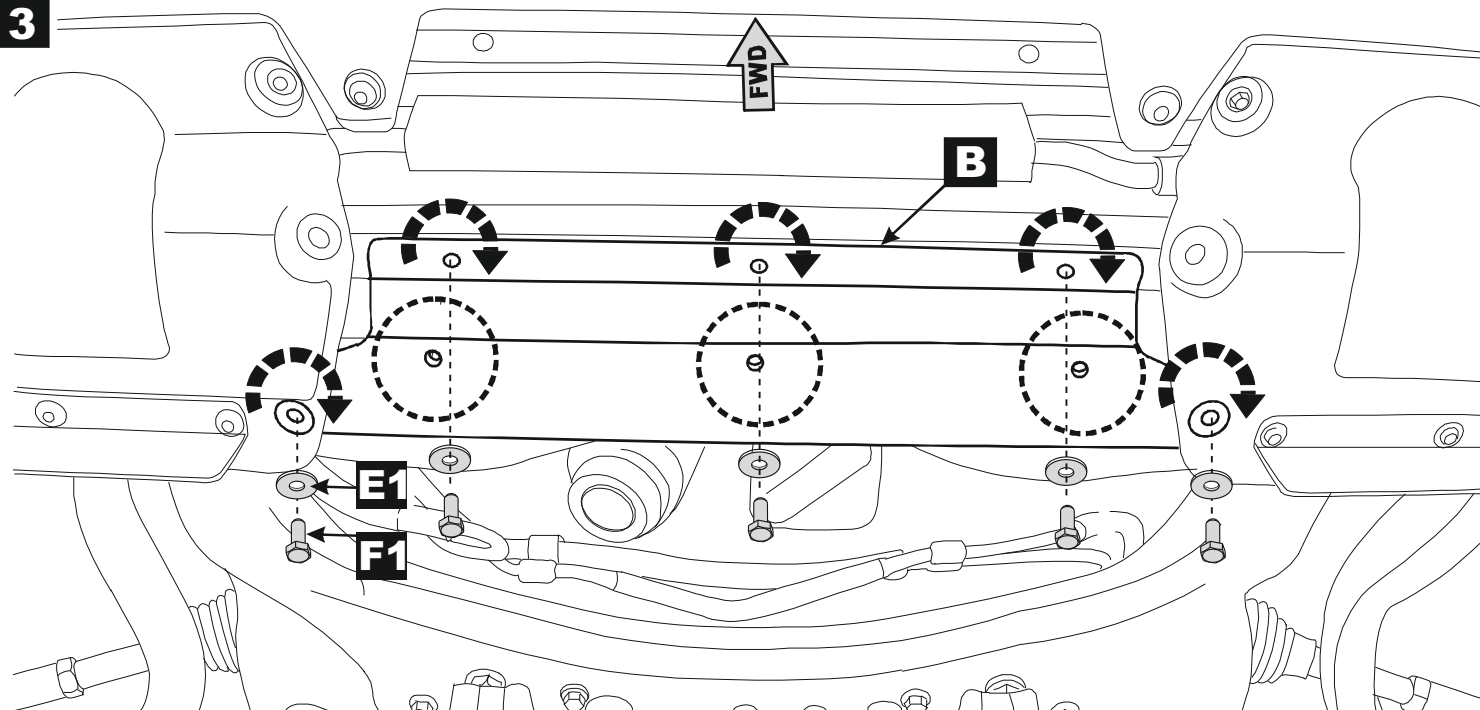


2x M 10x1.25x30

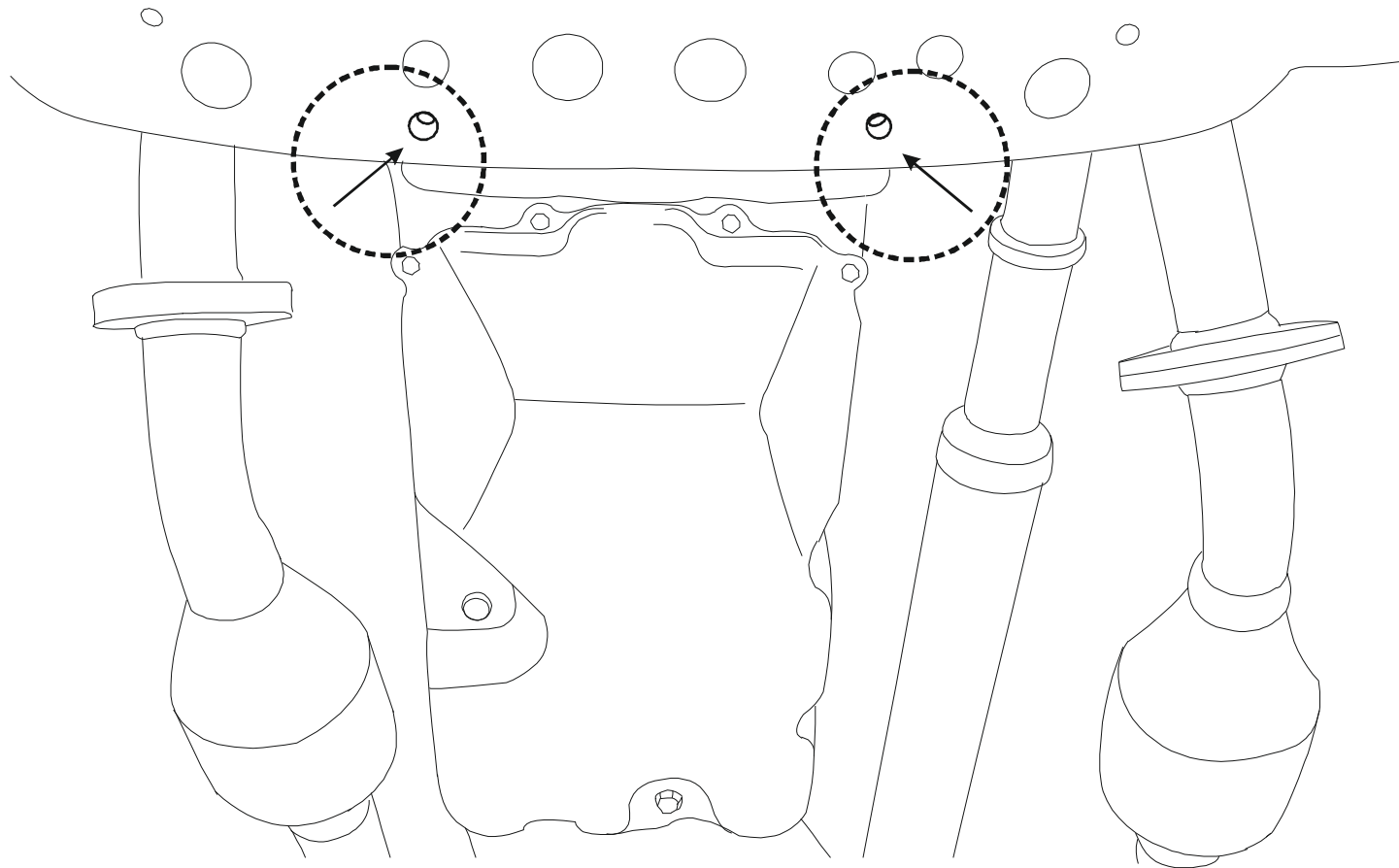




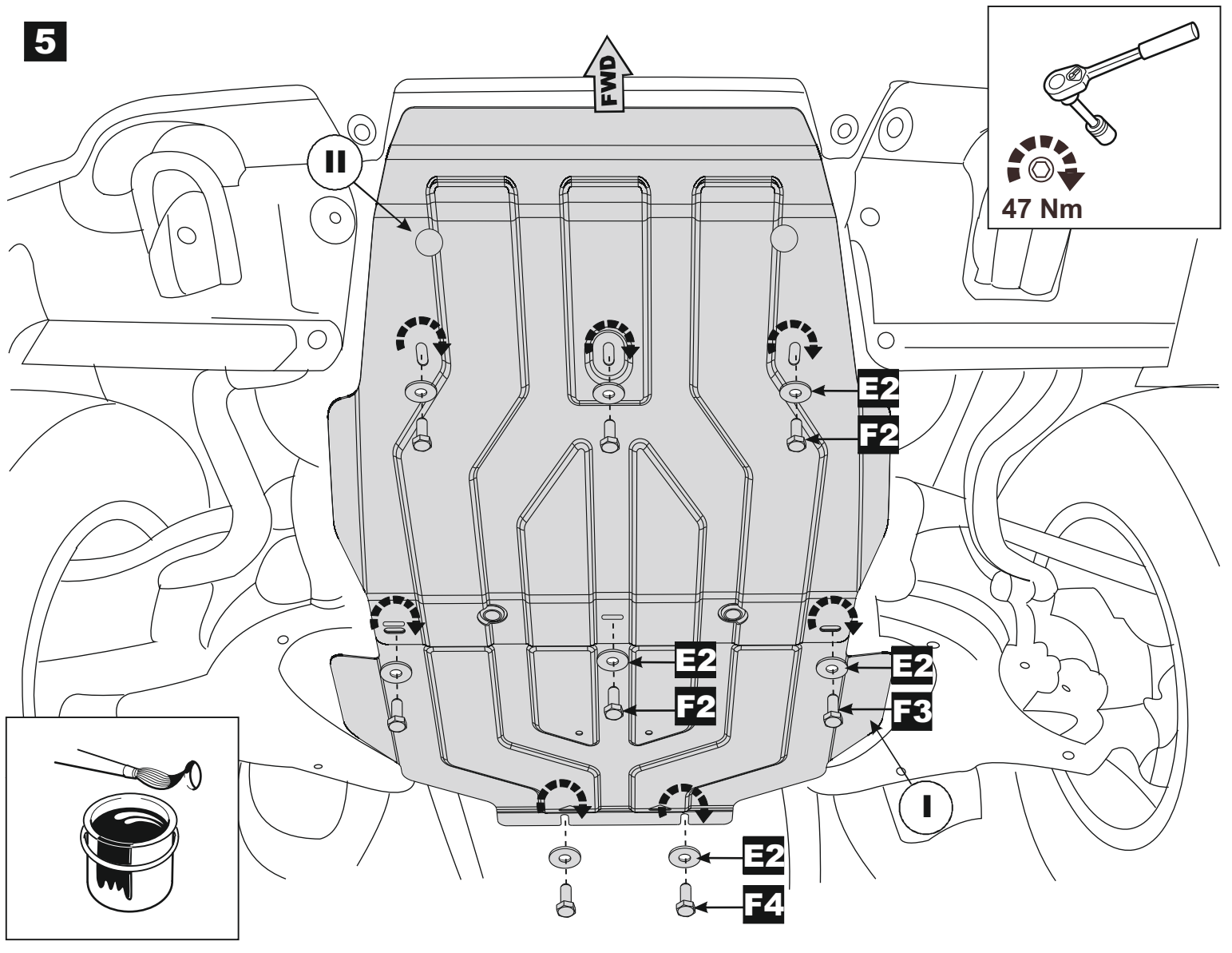
3



4



5



www.ironman4x4.com

**IRONMAN 4X4
MELBOURNE SHOWROOM**
Cnr Centre & Westall Roads,
Clayton, Victoria 3168
Telephone +61 3 9532 1111

**IRONMAN 4X4
BRISBANE SHOWROOM**
1 Hinkler Court
Brendale, QLD, 4500
Telephone (07) 3482 9500

**IRONMAN 4X4
PERTH SHOWROOM**
Unit 9/511 Abernethy Road
Kewdale, WA, 6105
Telephone (08) 6254 4444

Part number:
IUP004E

Page:
5/5



Installation Instructions for IUP004T Toyota Land Cruiser 200 Underbody Protection Plate Transmission



Model Year

2007-

Part Number

IUP004T



Weight

8.9Kg



Installation Time

10min

www.ironman4x4.com

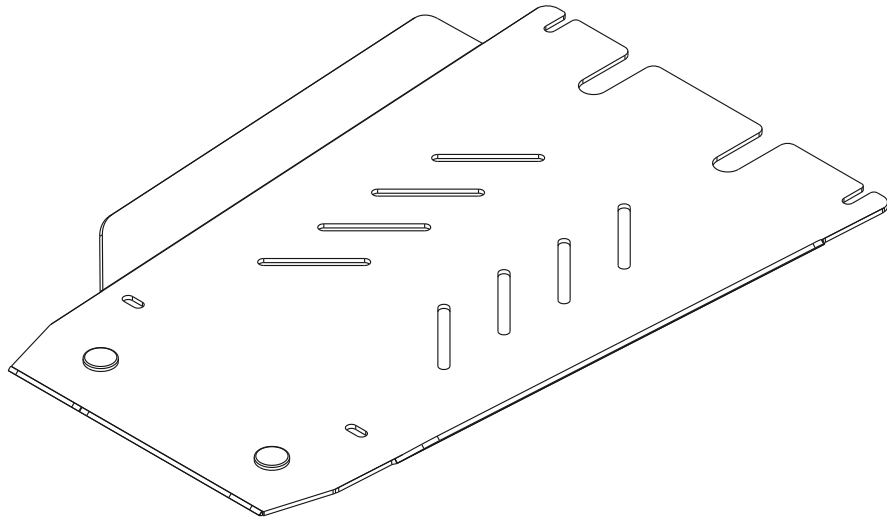
**IRONMAN 4X4
MELBOURNE SHOWROOM**
Cnr Centre & Westall Roads,
Clayton, Victoria 3168
Telephone +61 3 9532 1111

**IRONMAN 4X4
BRISBANE SHOWROOM**
1 Hinkler Court
Brendale, QLD, 4500
Telephone (07) 3482 9500

**IRONMAN 4X4
PERTH SHOWROOM**
Unit 9/511 Abernethy Road
Kewdale, WA, 6105
Telephone (08) 6254 4444

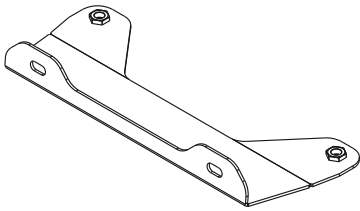
Part number: IUP004T

A



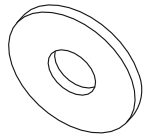
IUP004T

B



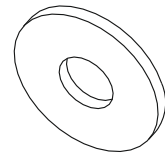
X1

C1



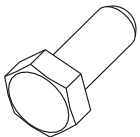
X2 \varnothing 8

C2



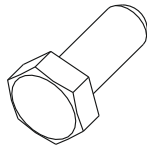
X2 \varnothing 10

D1

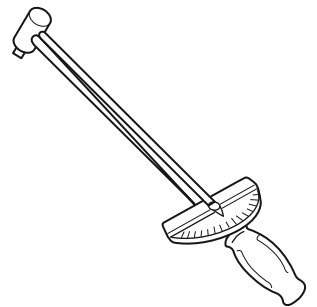
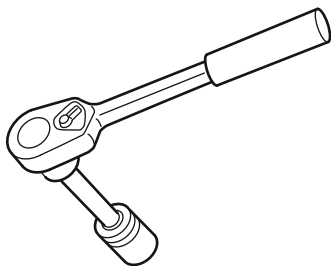


2 x M 8x 20

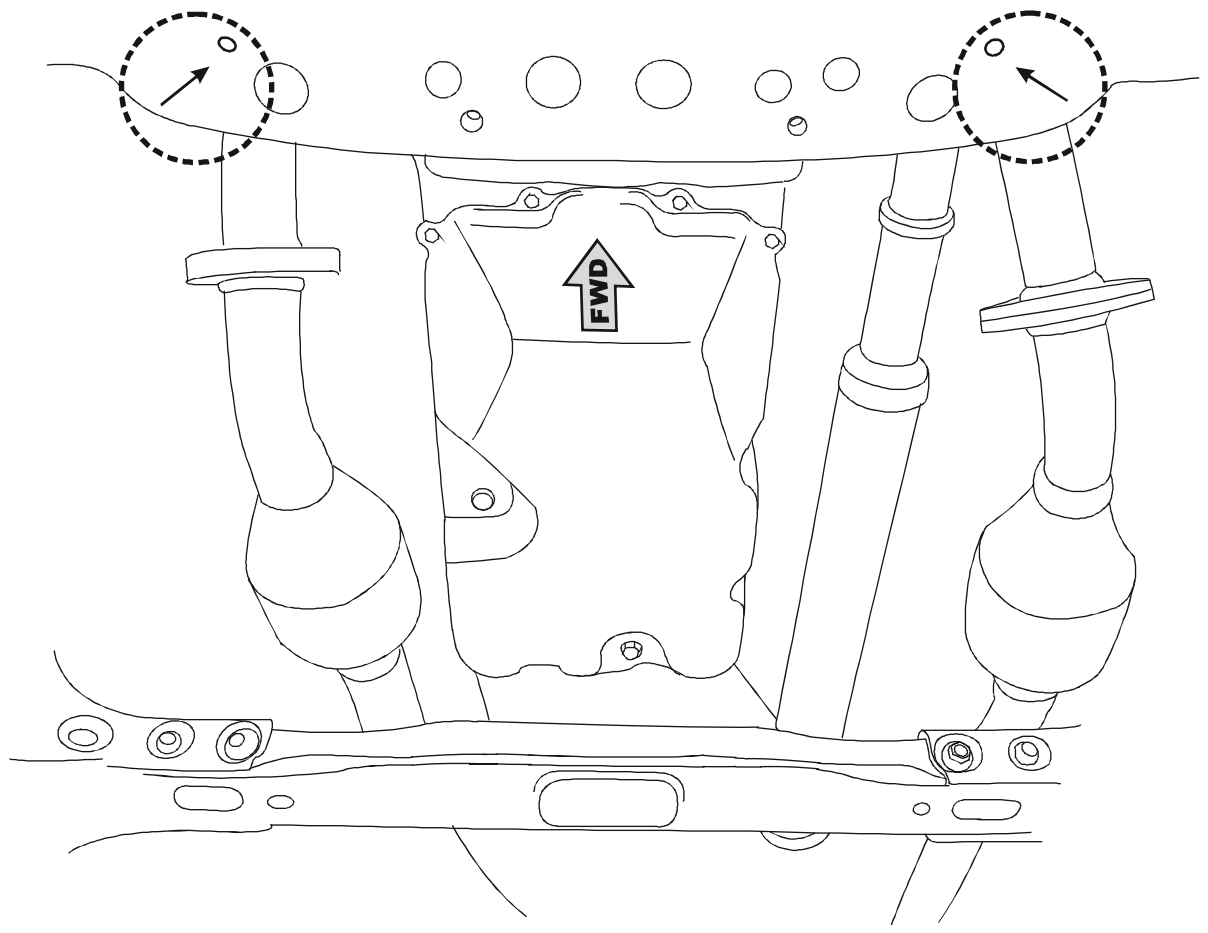
D2



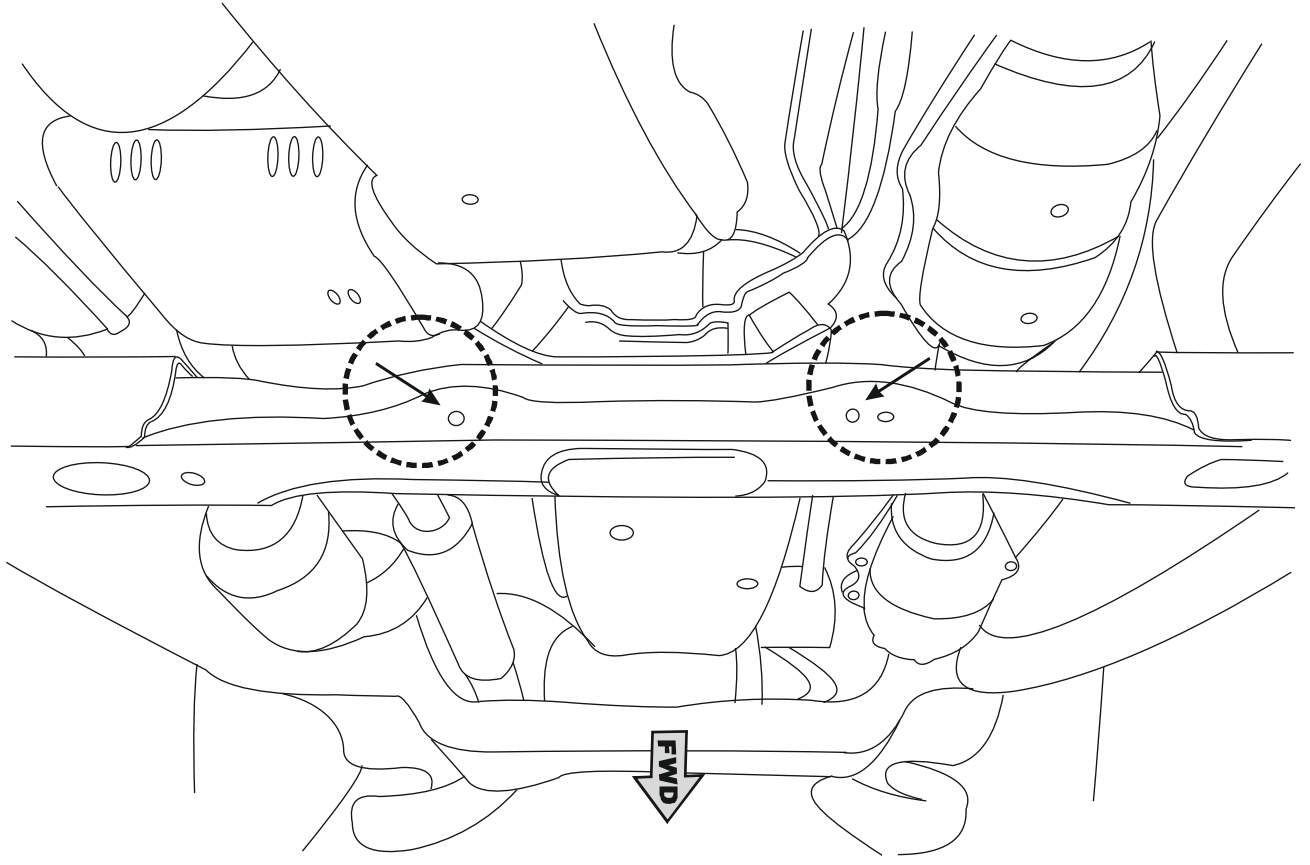
2 x M 10x 30



1



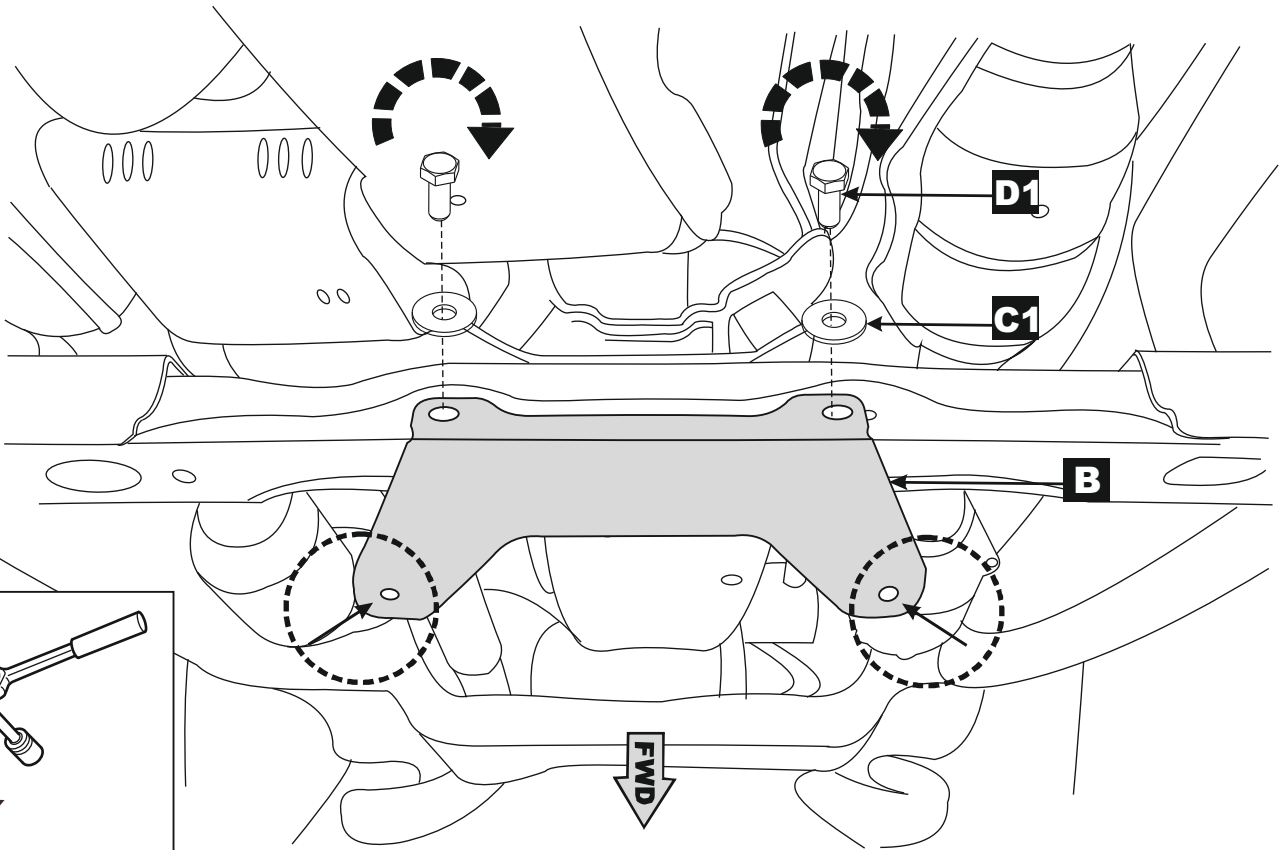
2



Part number:
IUP004T

Page:
3/4

3



4

