


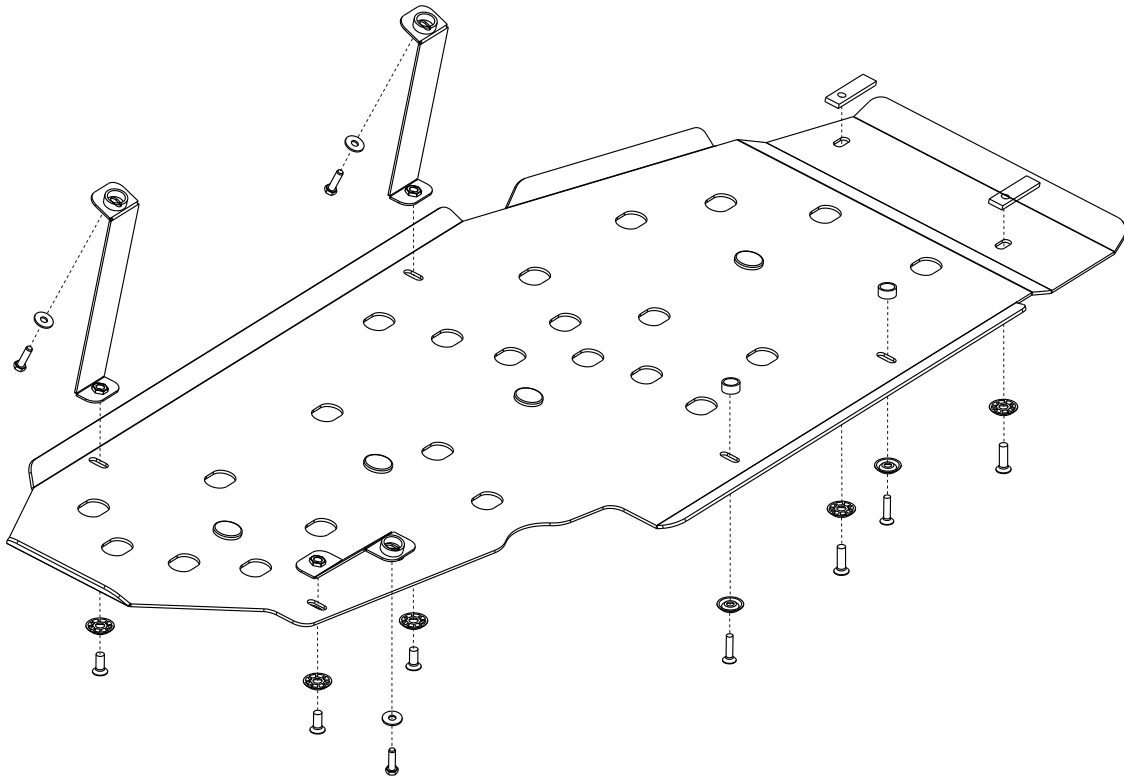


# Installation Instructions for IUP004F Toyota Land Cruiser 200 Underbody Protection Plate Fuel Tank

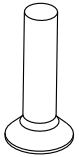


Model Year	2007-
Part Number	IUP004F
 Weight	17.18 Kg
 Installation Time	50min

**A**

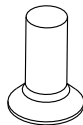


**B1**



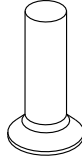
x 2 M8x35

**B2**



x 3 M10x25

**B3**



x 2 M10x35

**B4**



x 3 M8x30

**C1**



x 5

**C2**



x 2

**C3**



x 3 Ø 8

**D**



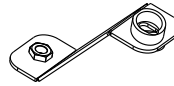
x 1

**F**



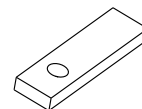
x 1

**E**



x 1

**G**

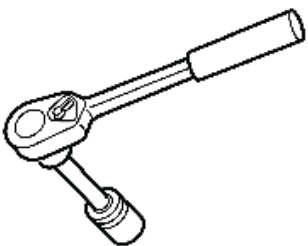


x 2

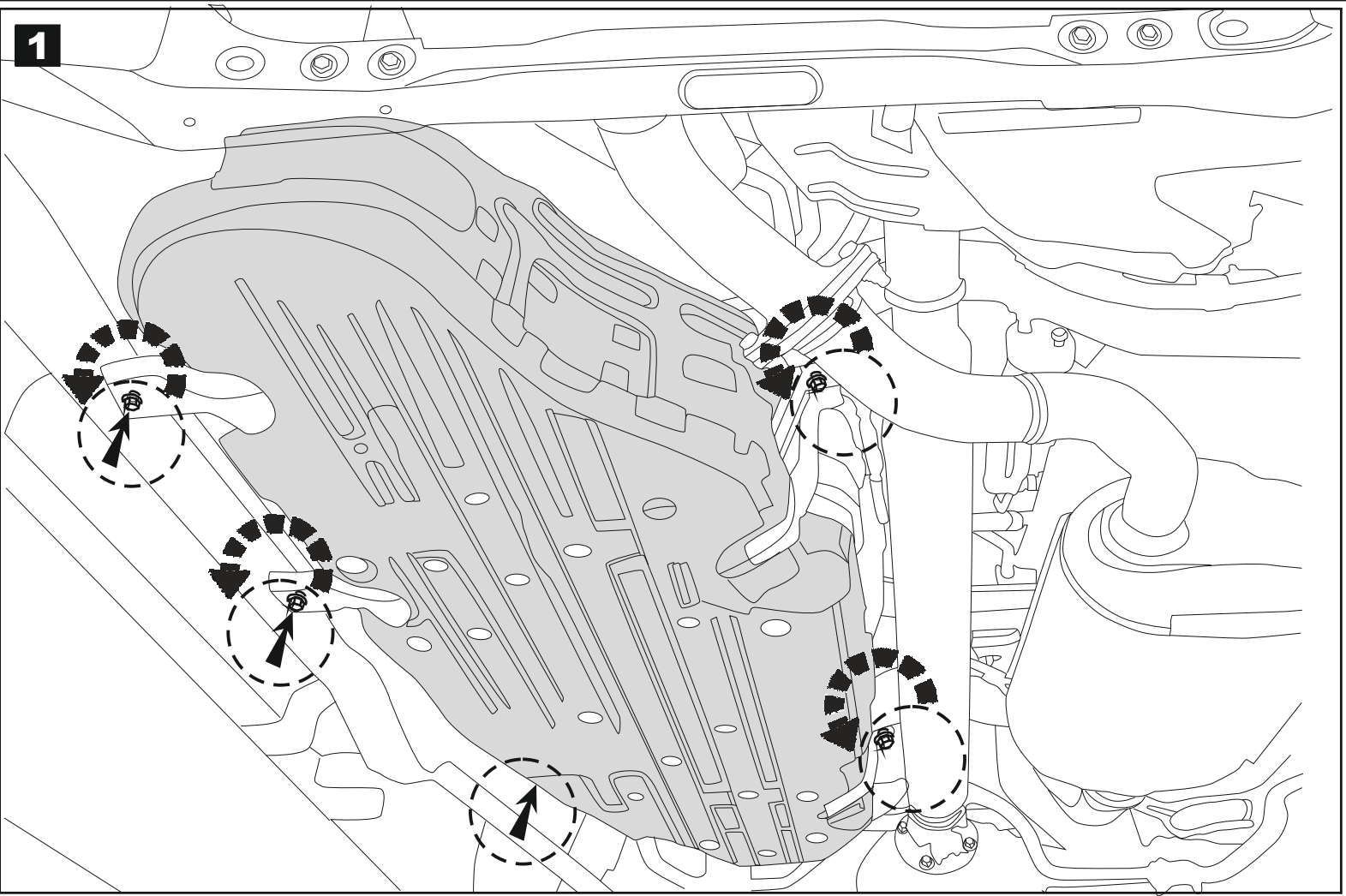
**H**



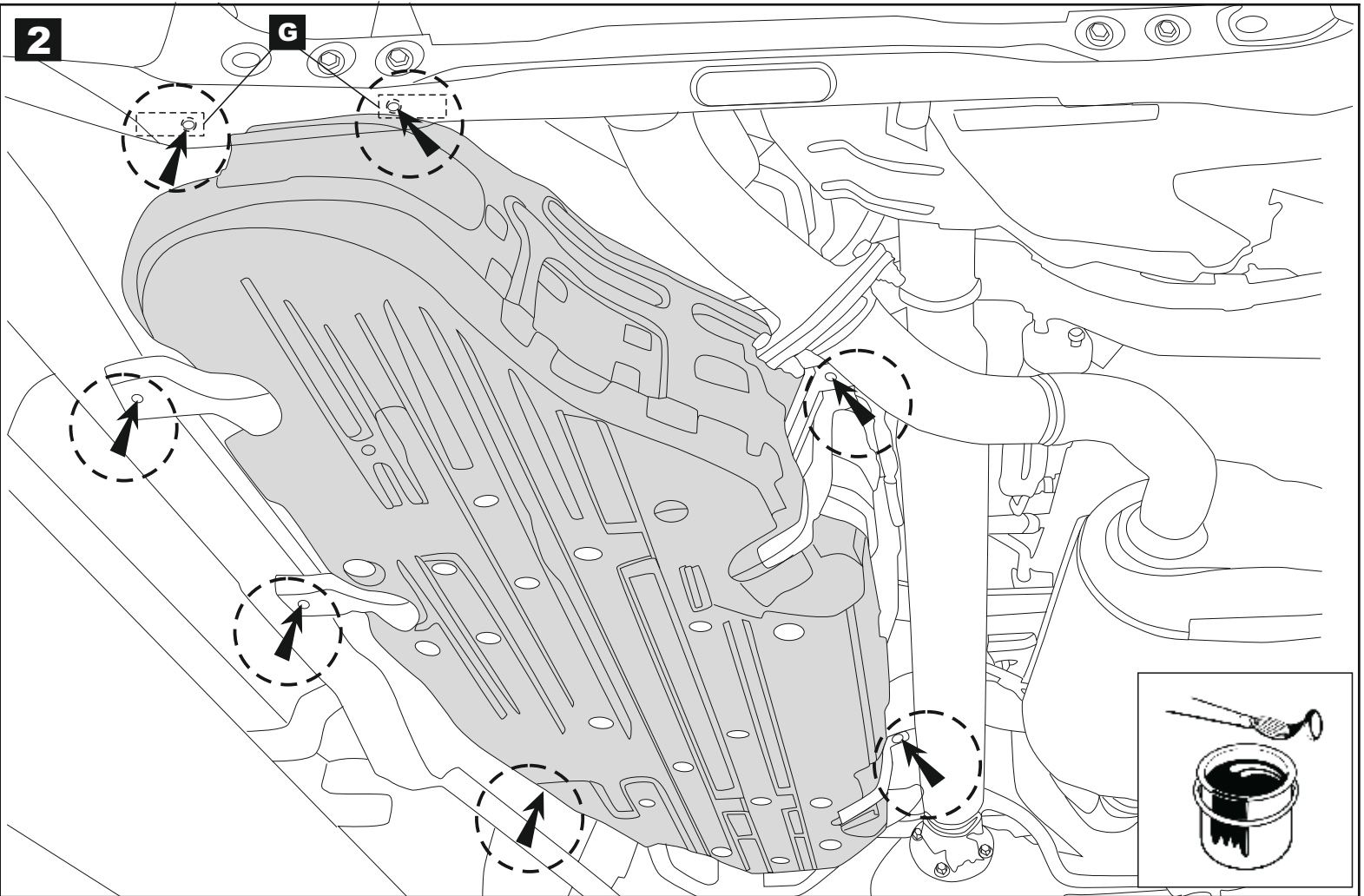
x 2



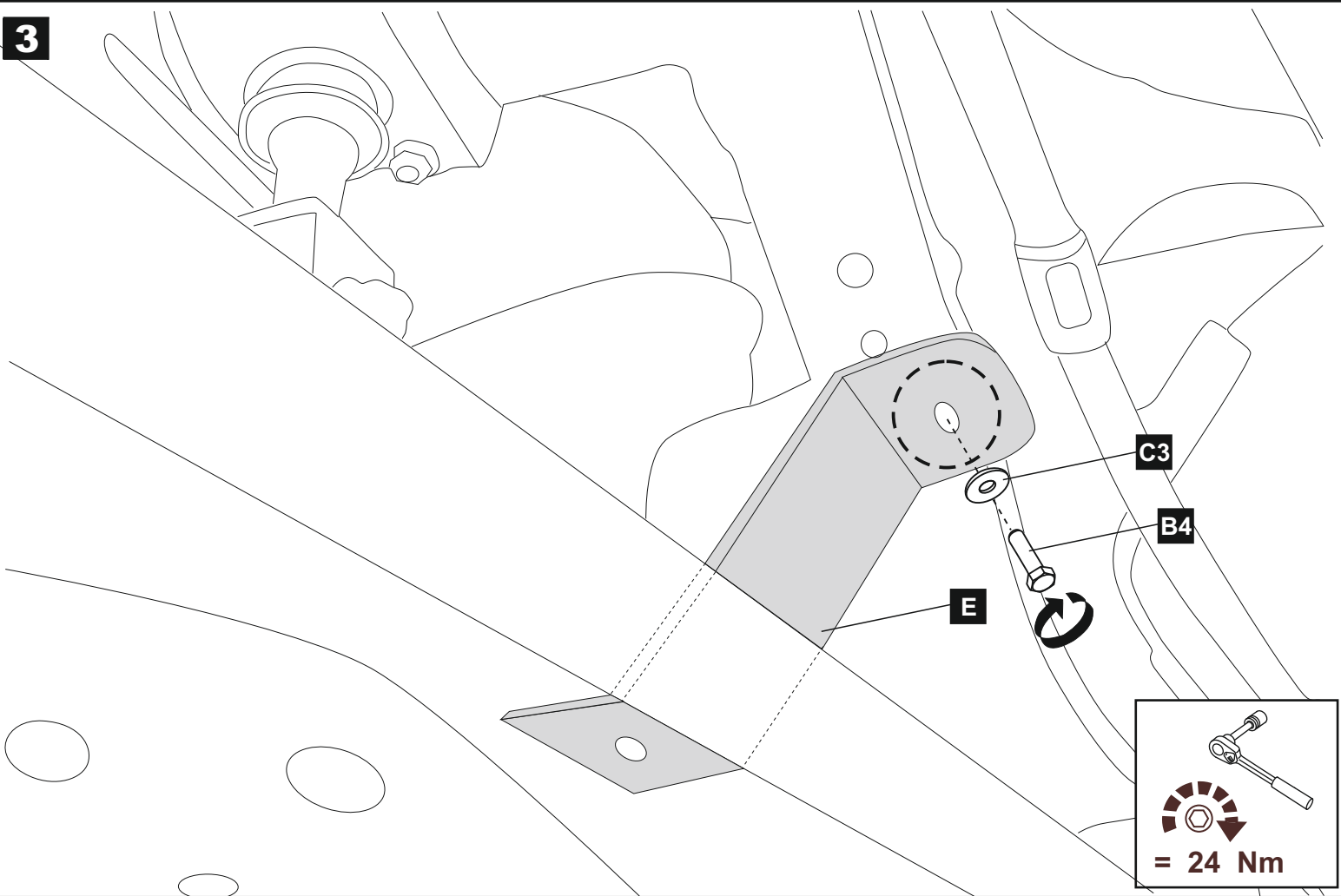
1



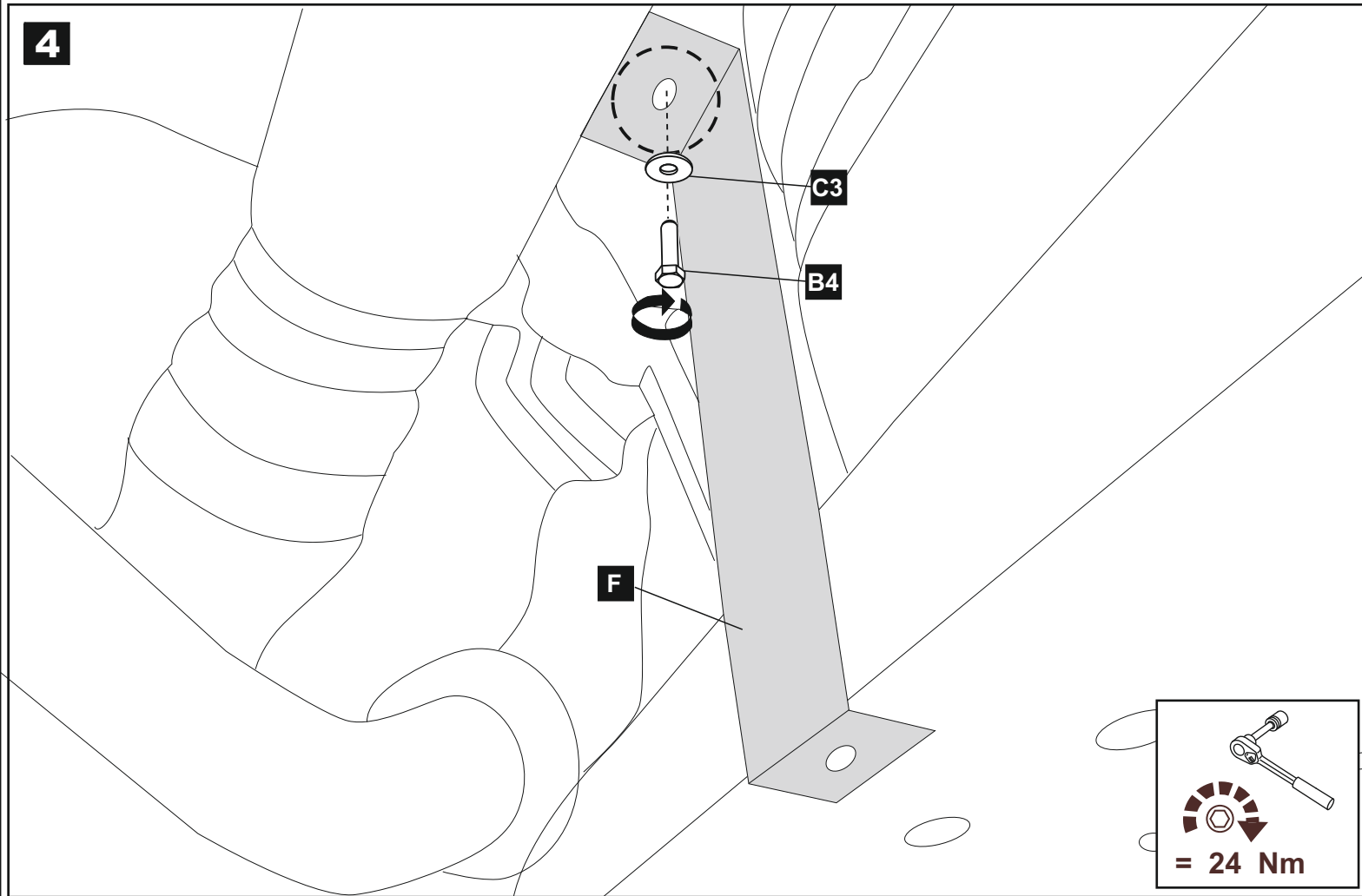
2



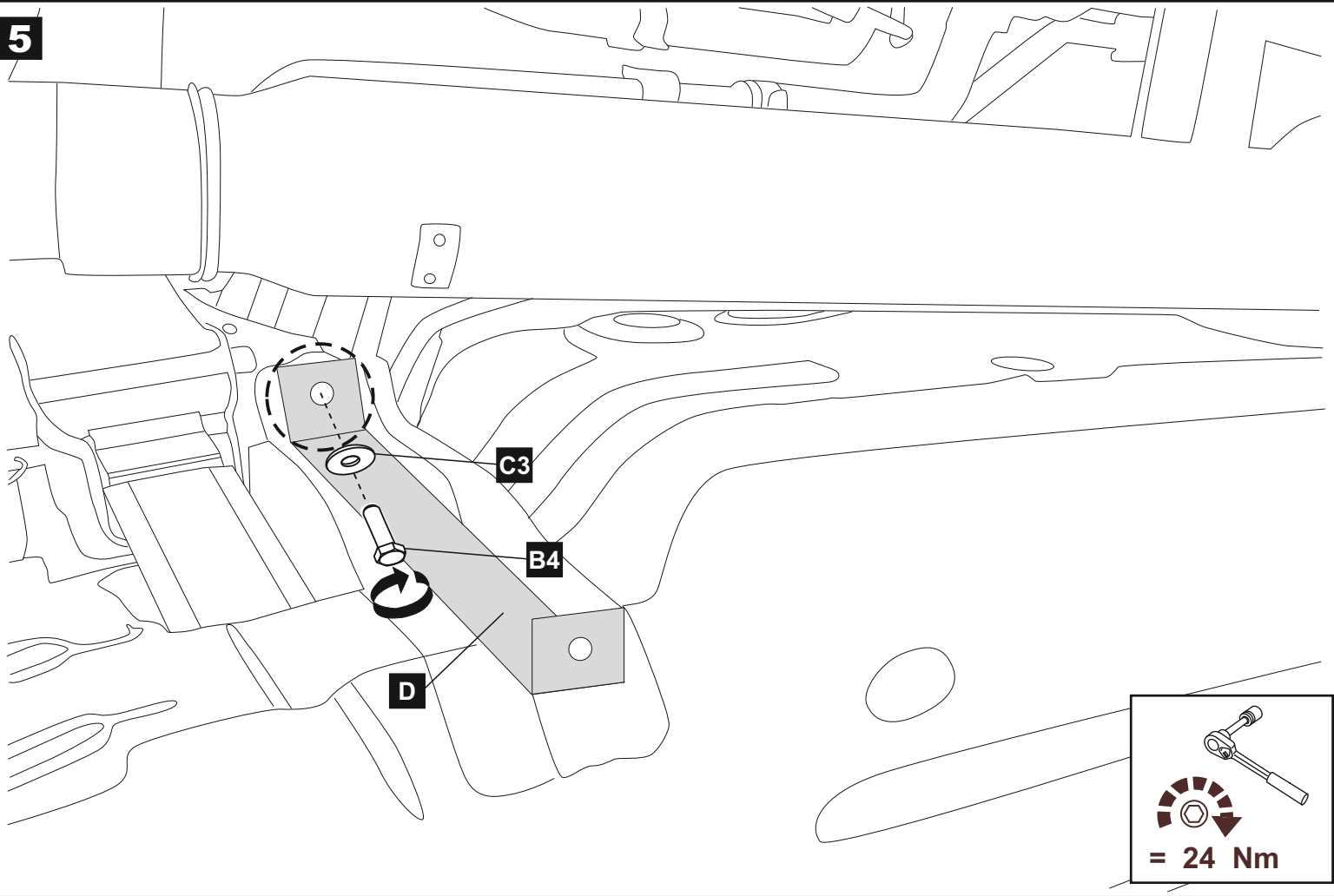
**3**



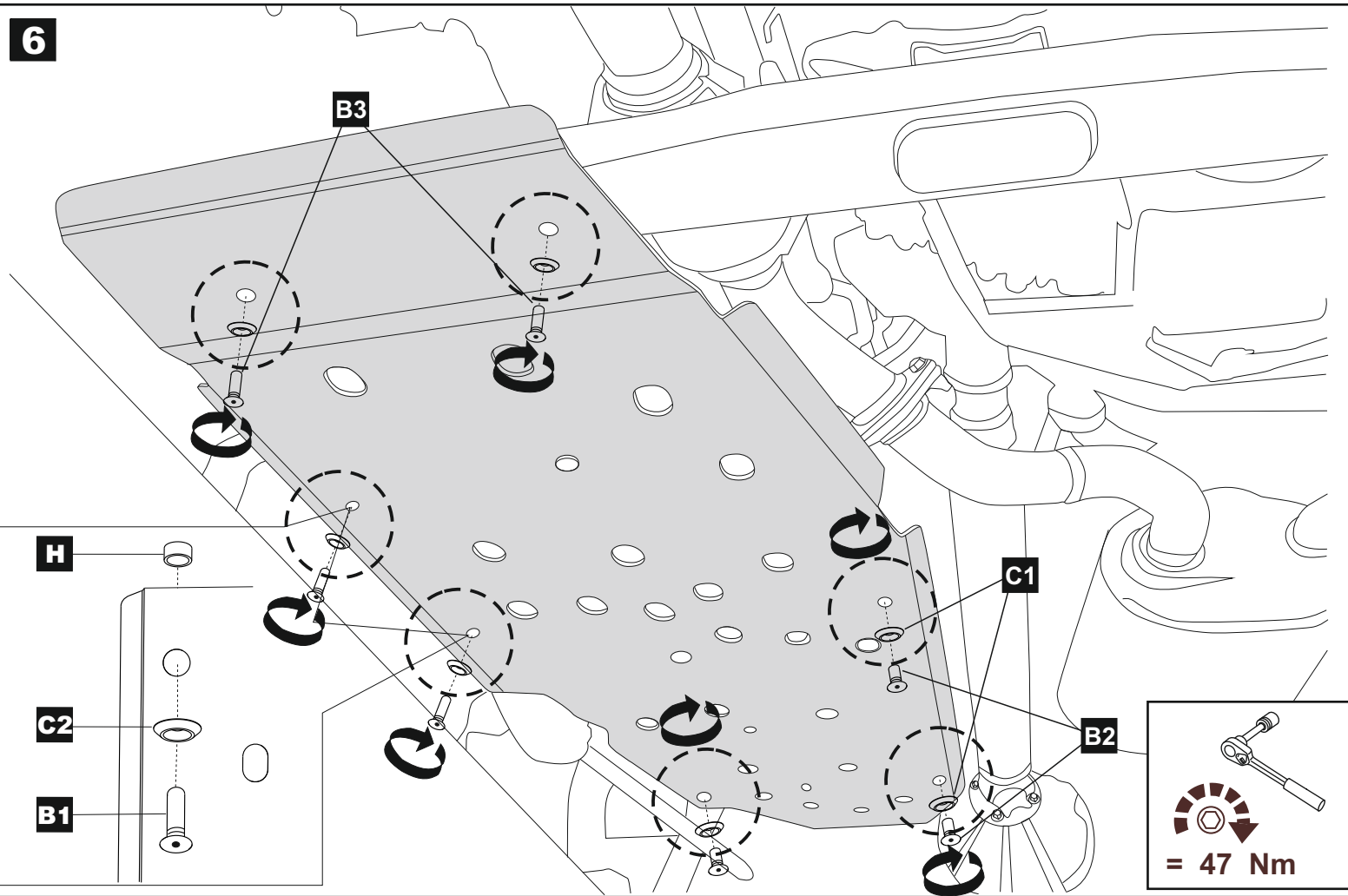
**4**



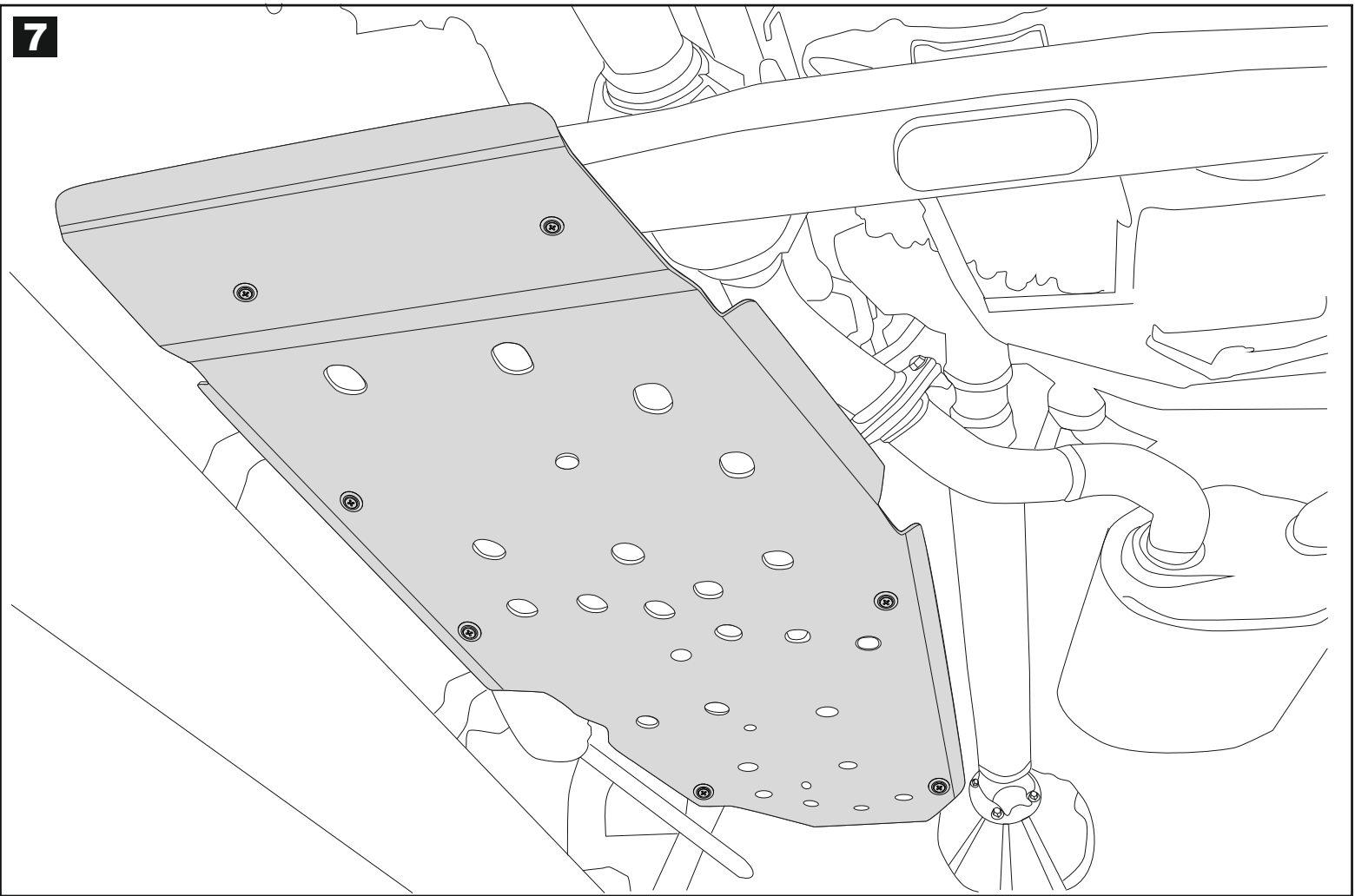
**5**



**6**



7



[www.ironman4x4.com](http://www.ironman4x4.com)

**IRONMAN 4X4  
MELBOURNE SHOWROOM**  
Cnr Centre & Westall Roads,  
Clayton, Victoria 3168  
Telephone +61 3 9532 1111

**IRONMAN 4X4  
BRISBANE SHOWROOM**  
1 Hinkler Court  
Brendale, QLD, 4500  
Telephone (07) 3482 9500

**IRONMAN 4X4  
PERTH SHOWROOM**  
Unit 9/511 Abernethy Road  
Kewdale, WA, 6105  
Telephone (08) 6254 4444

Part number:  
IUP004F

Page:  
6/6