



Installation Instructions for IUP003E

Toyota Prado 150

Underbody Protection Plate

Engine Bay



Model Year

2009

Part Number

IUP003E



Weight

19.83Kg



Installation Time

30min

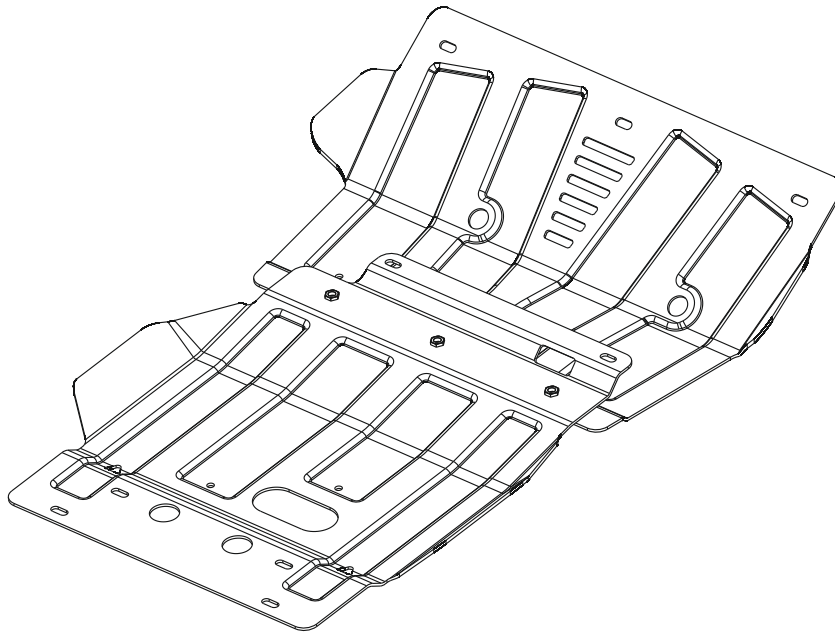
www.ironman4x4.com

**IRONMAN 4X4
MELBOURNE SHOWROOM**
Cnr Centre & Westall Roads,
Clayton, Victoria 3168
Telephone +61 3 9532 1111

**IRONMAN 4X4
BRISBANE SHOWROOM**
1 Hinkler Court
Brendale, QLD, 4500
Telephone (07) 3482 9500

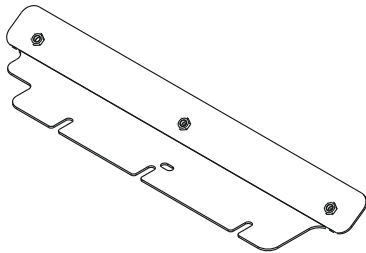
**IRONMAN 4X4
PERTH SHOWROOM**
Unit 9/511 Abernethy Road
Kewdale, WA, 6105
Telephone (08) 6254 4444

A



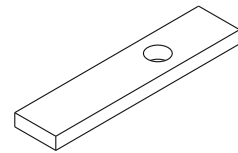
IUP003E

B



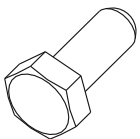
X1

C



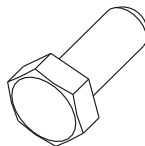
X 2 SD 3004

D1



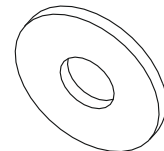
8 x M 10x 20

D2

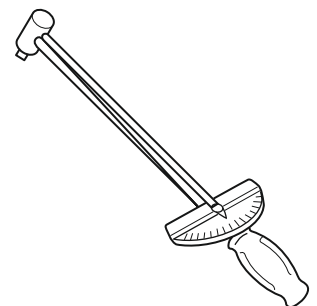
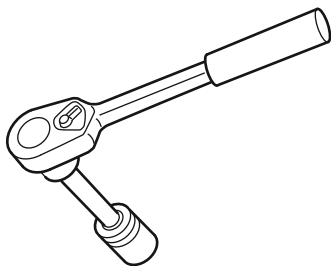


2 x M 10x1.25x30

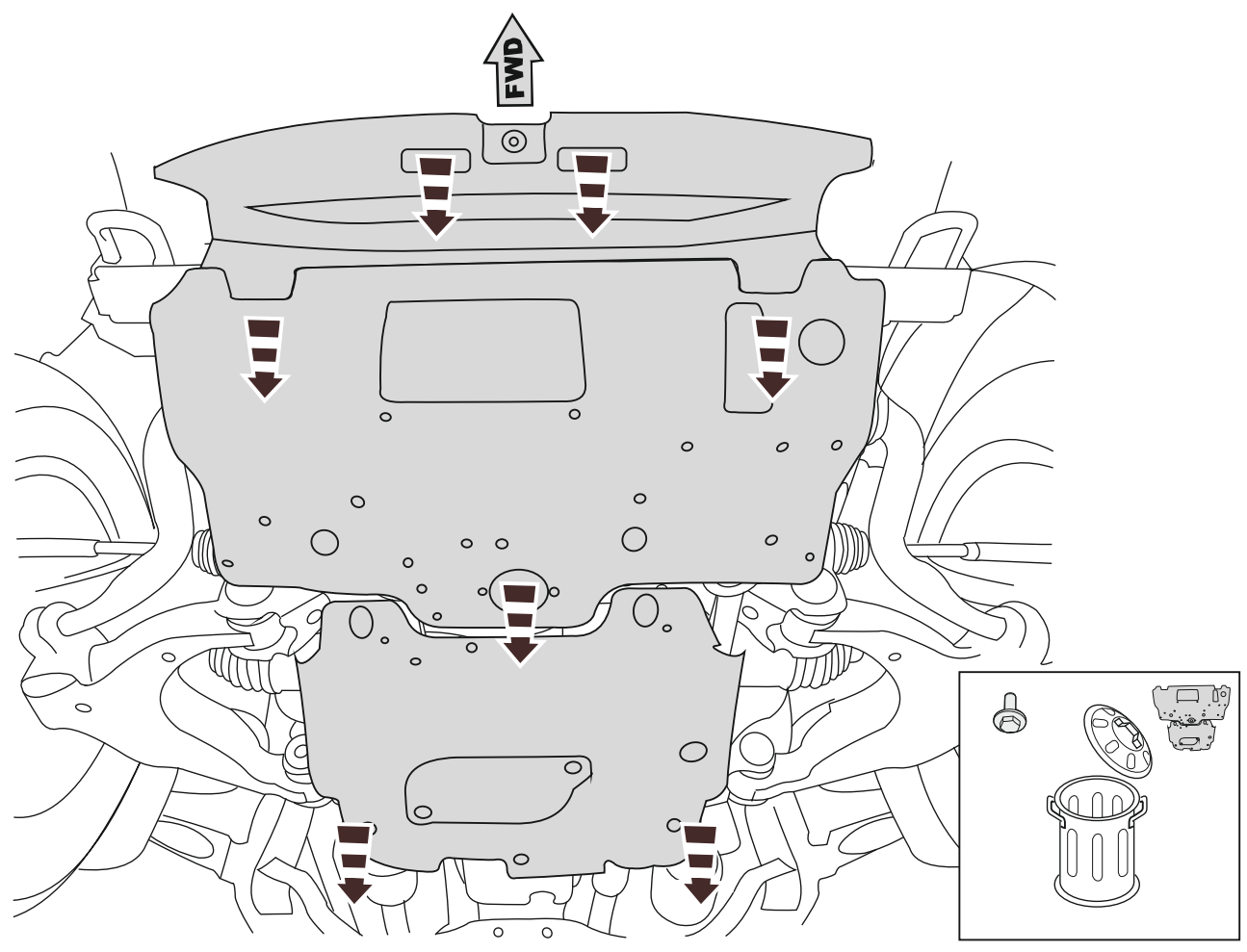
E



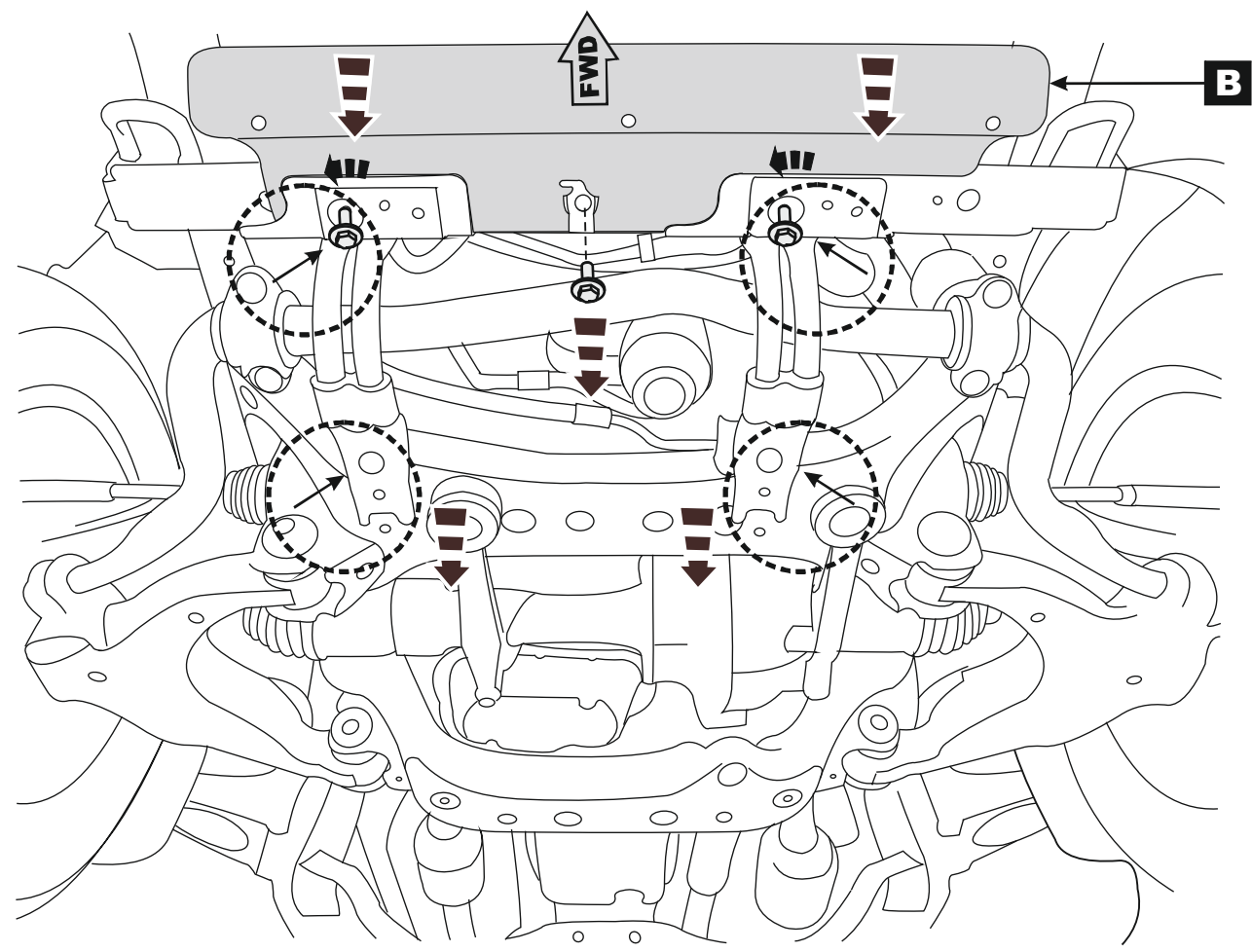
X 10 Ø 10



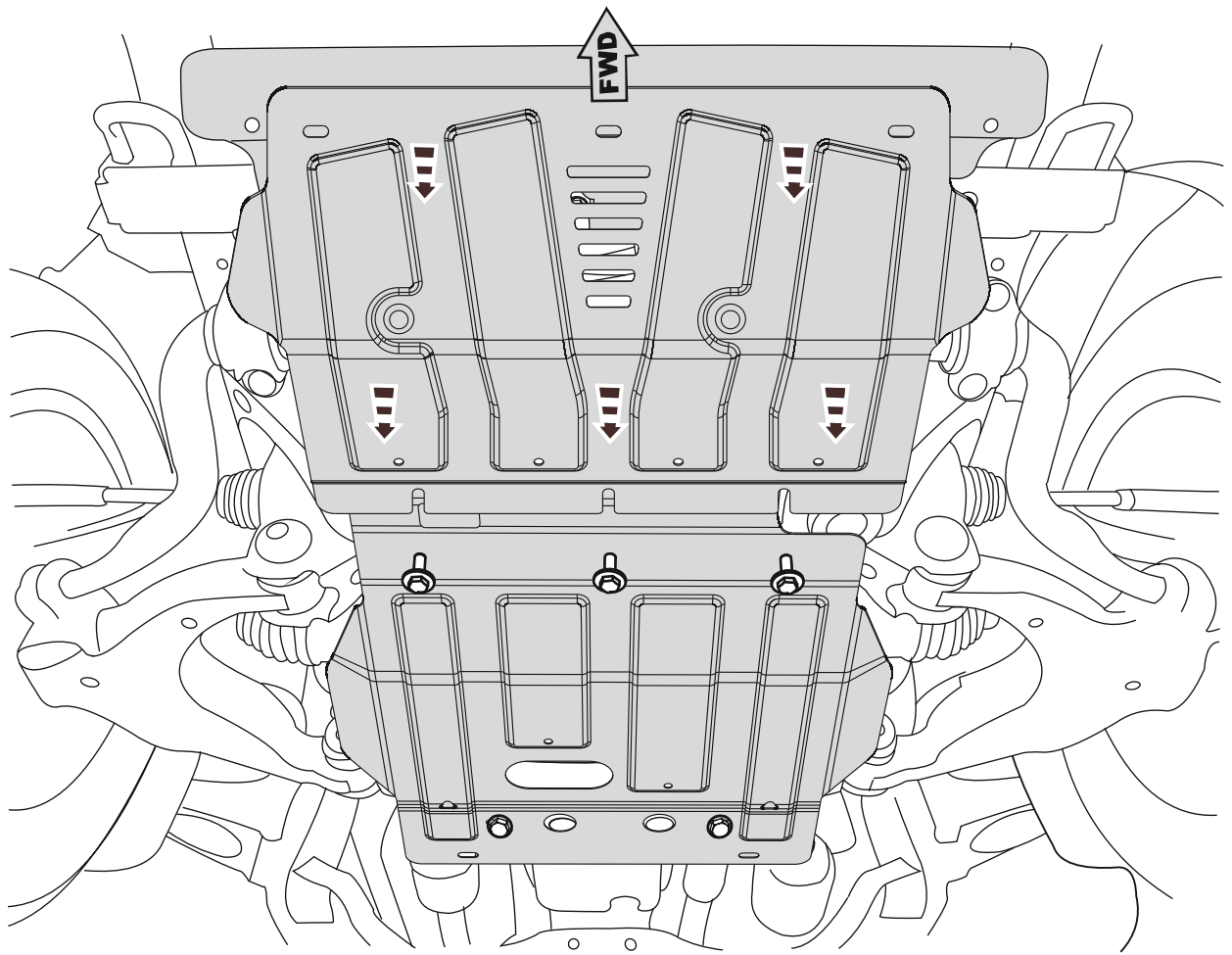
1



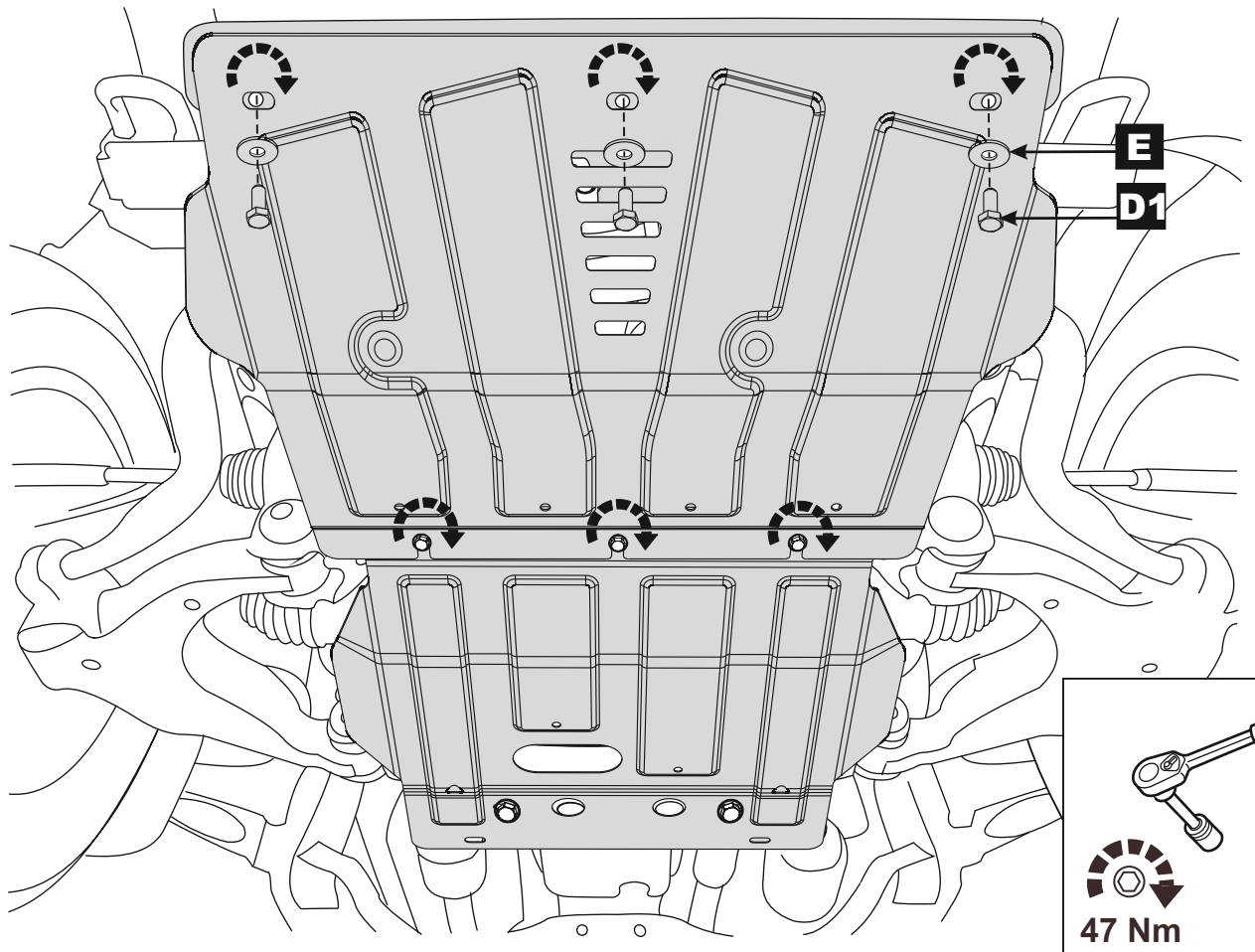
2



5



6





Installation Instructions for IUP003T Toyota Prado 150 Underbody Protection Plate Transmission



Model year

PZ4AL-07700-00

2009-

Part Number

IUP003T



Weight

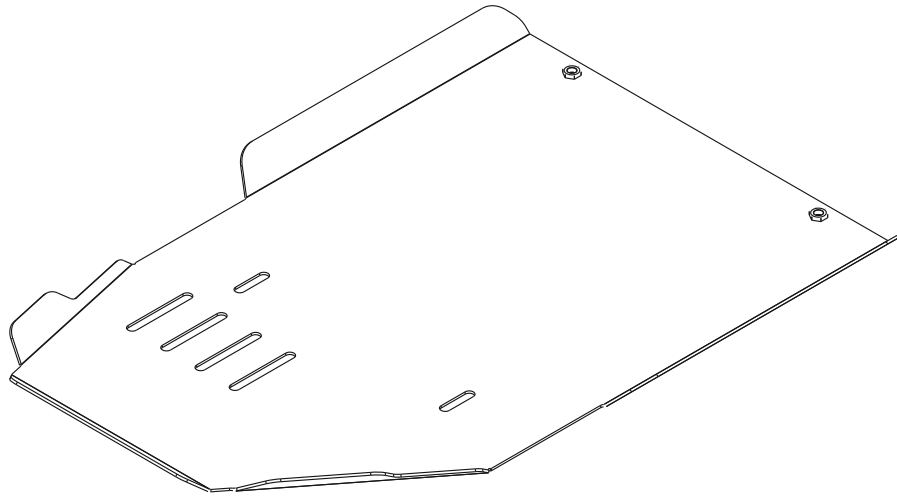
11.75Kg



Installation Time

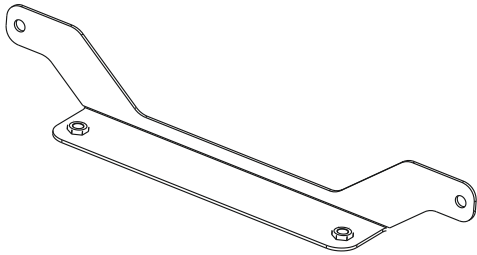
10min

A



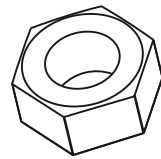
IUP003T

B



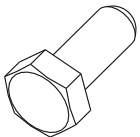
X1

C



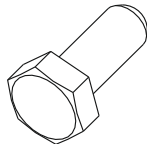
X 2 10

D1



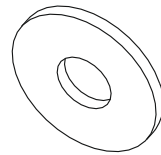
4 x M 10x 20

D2

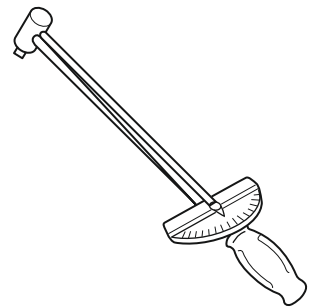
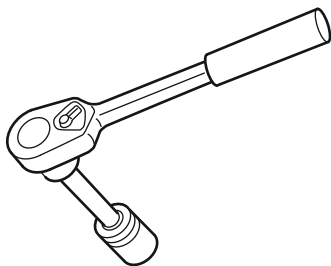


2 x M 10x110

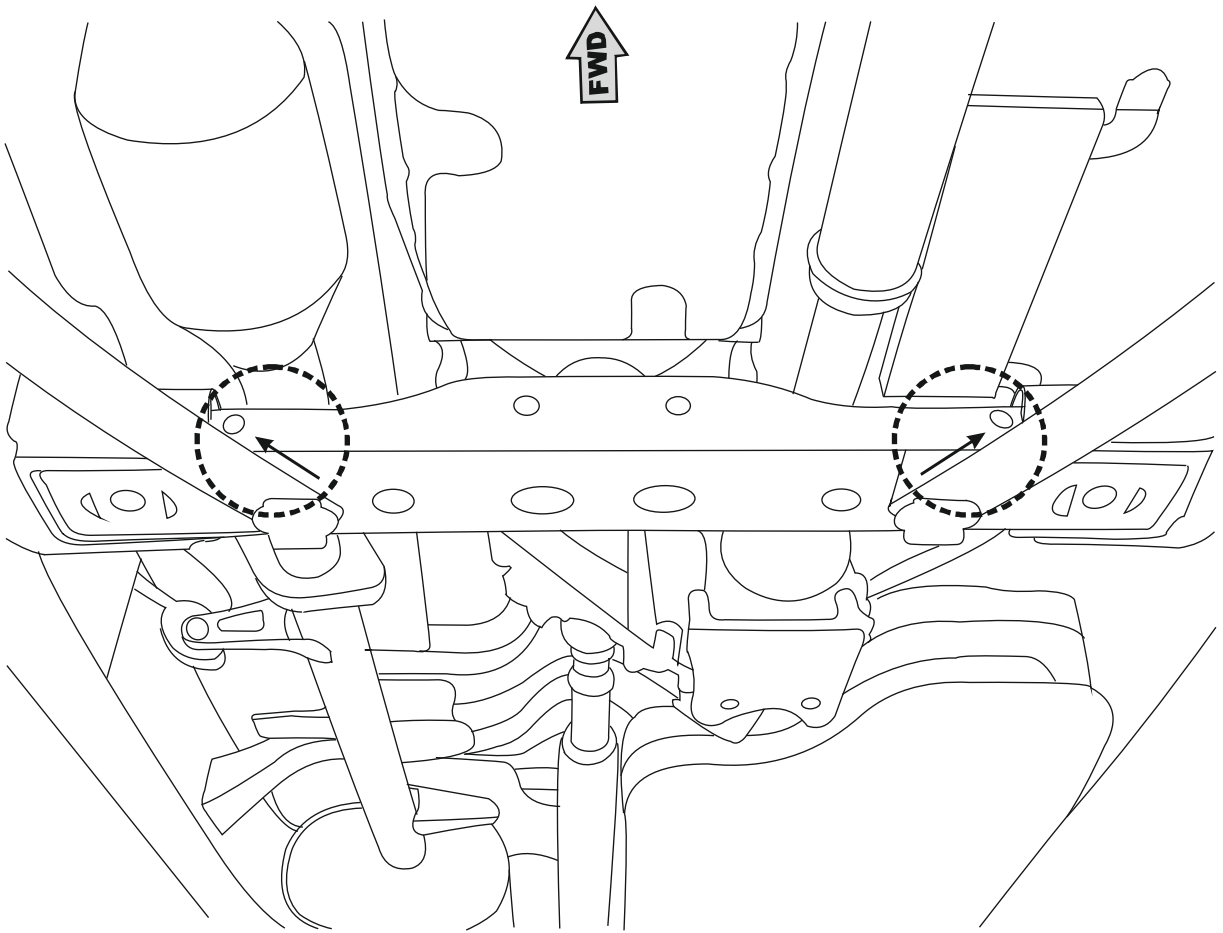
E



X 8 Ø10



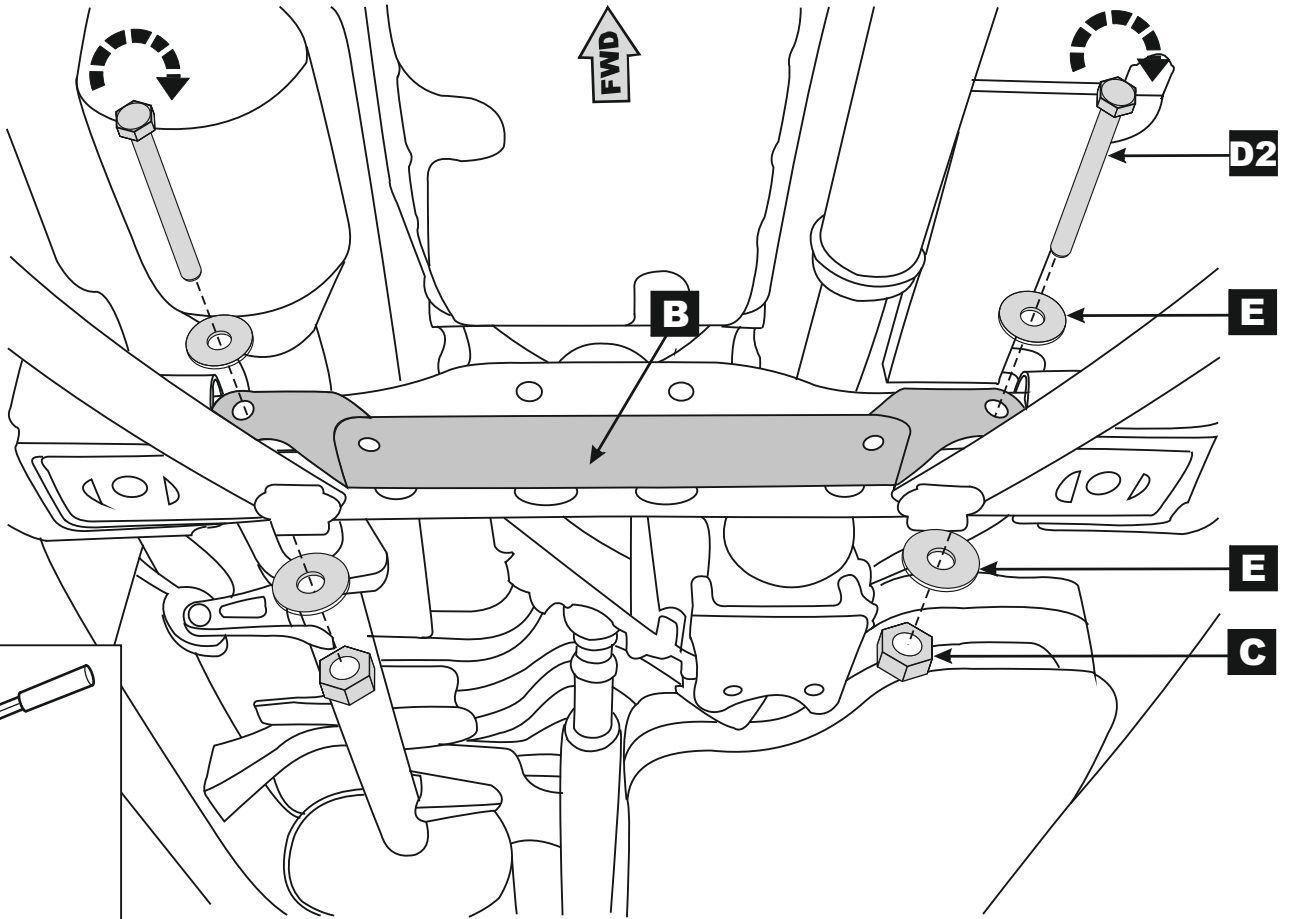
1



2A

LEXUS GX 460

Toyota Prado 150 Diesel

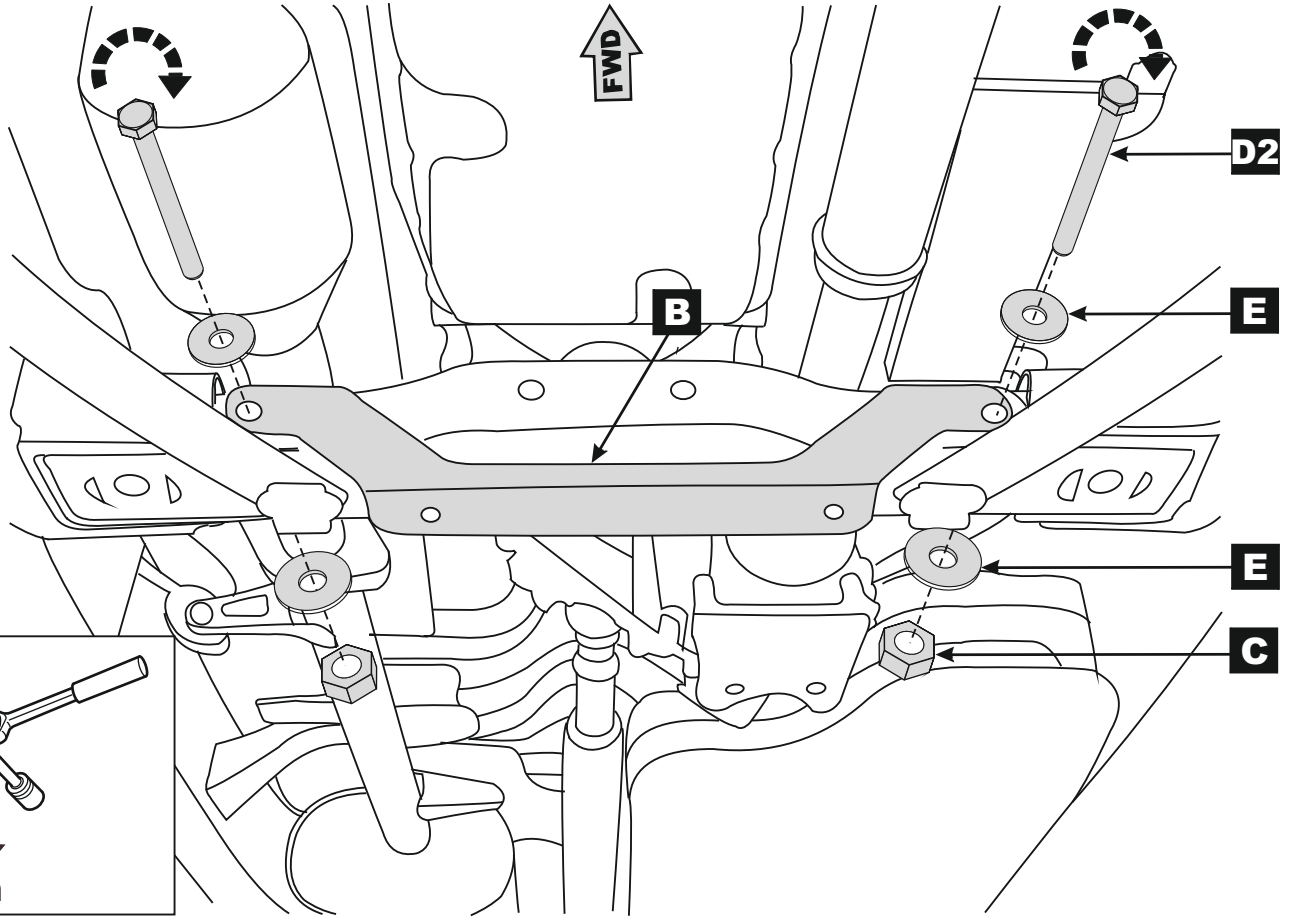


Part number:
IUP003T

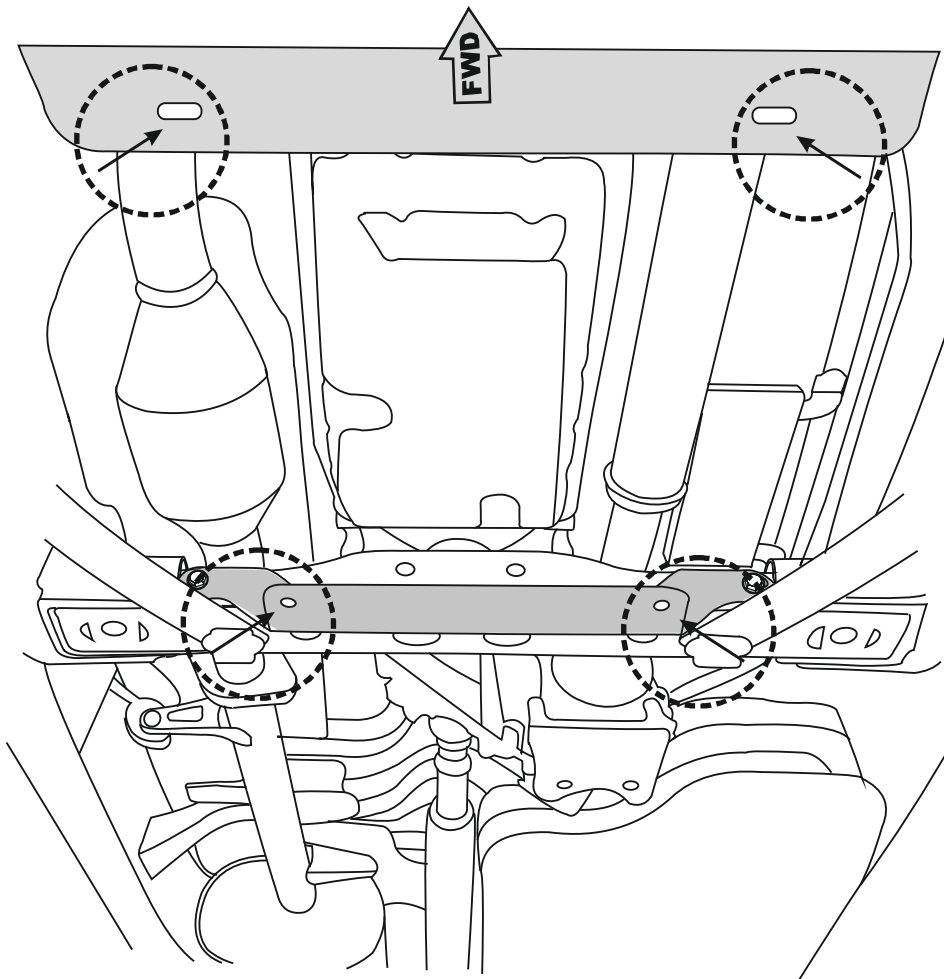
Page:
3/5

2B

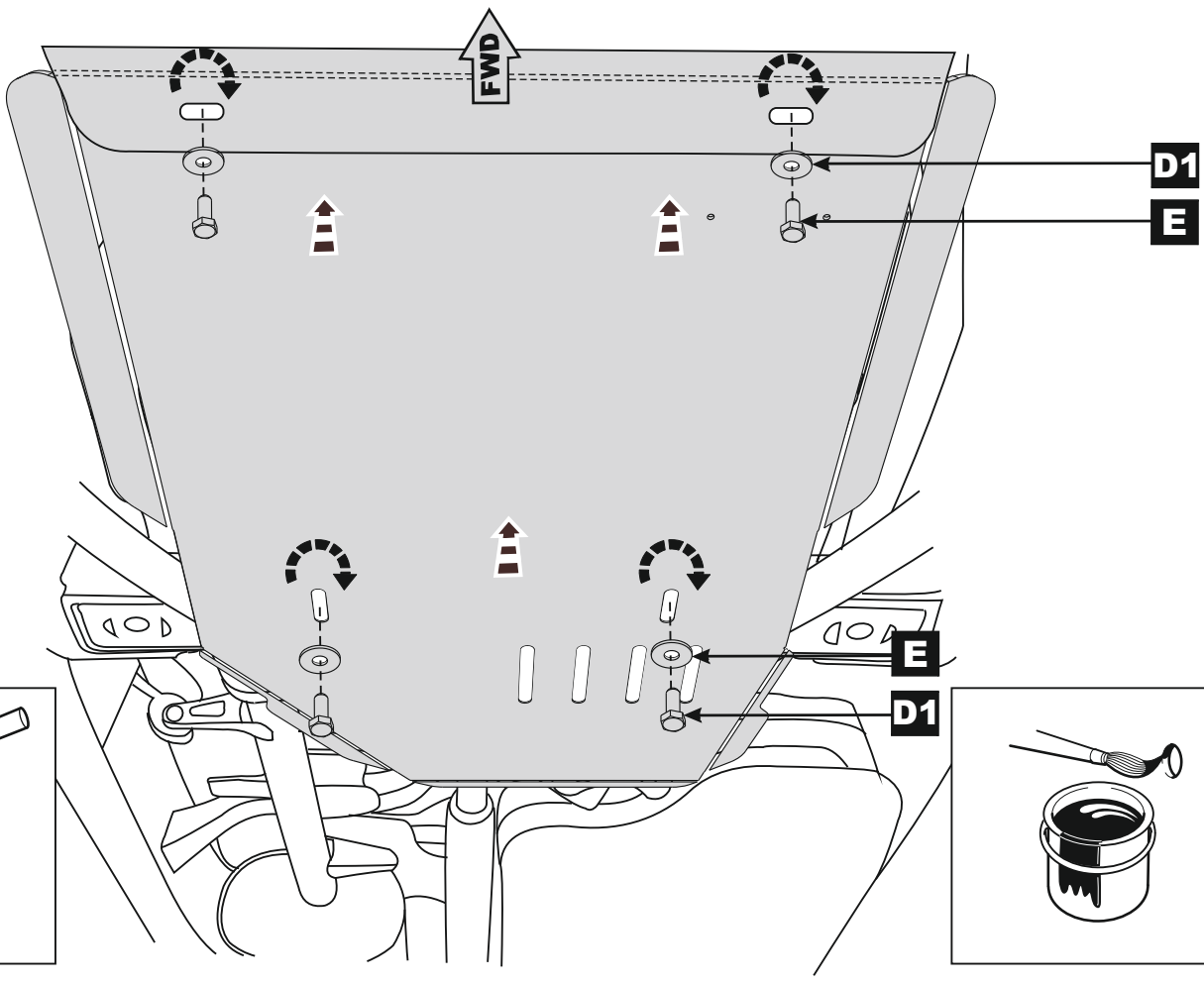
Toyota Prado 150 Petrol



3



4



www.ironman4x4.com

**IRONMAN 4X4
MELBOURNE SHOWROOM**
Cnr Centre & Westall Roads,
Clayton, Victoria 3168
Telephone +61 3 9532 1111

**IRONMAN 4X4
BRISBANE SHOWROOM**
1 Hinkler Court
Brendale, QLD, 4500
Telephone (07) 3482 9500

**IRONMAN 4X4
PERTH SHOWROOM**
Unit 9/511 Abernethy Road
Kewdale, WA, 6105
Telephone (08) 6254 4444

Part number:
IUP003T

Page:
5/5