



# Installation Instructions for IUP001E

Toyota Hilux

Underbody Protection Plate

Engine Bay



Model Year: 2005-

Part Number: IUP001E

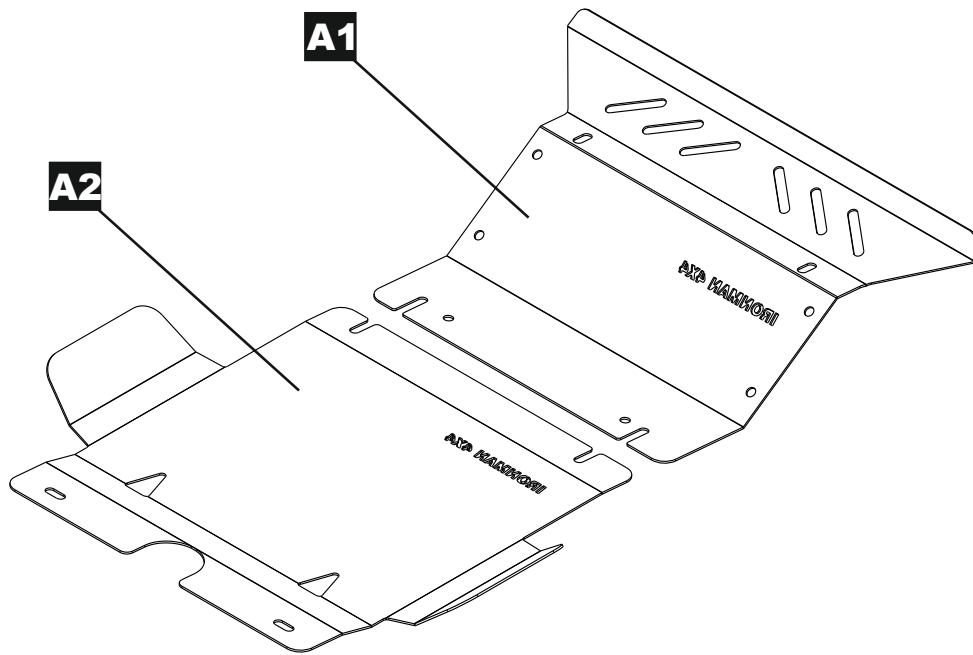


Weight: 13,7 kg



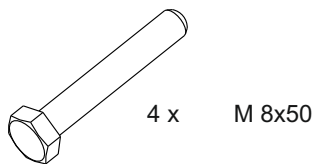
Installation Time: 30 min

Part number: IUP001E

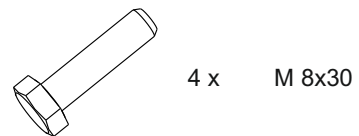


IUP001E

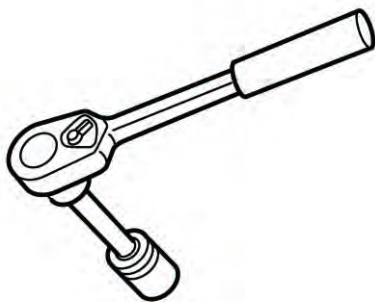
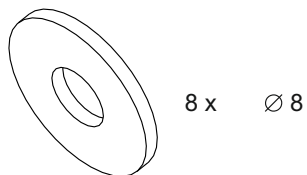
**B1**



**B2**



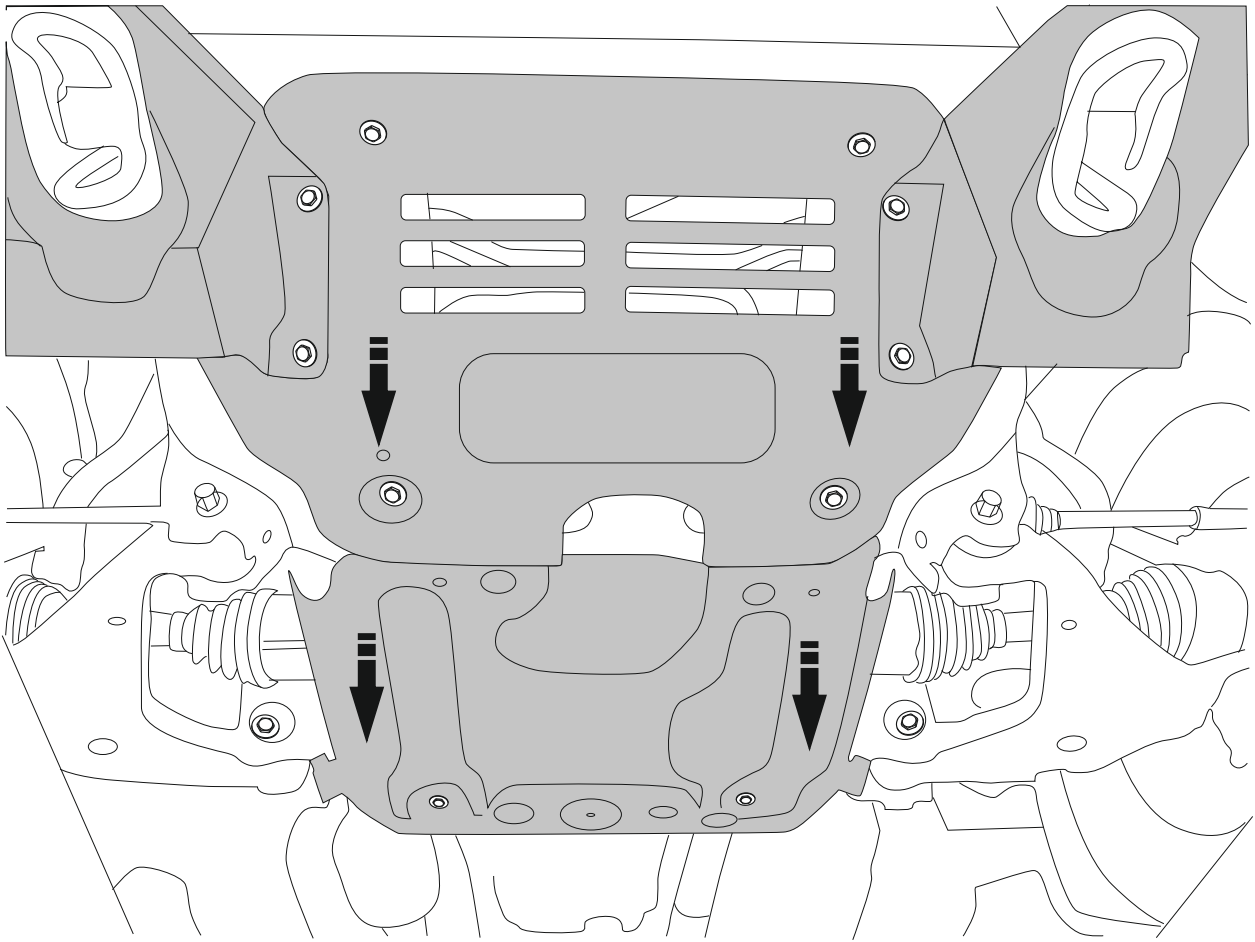
**C**



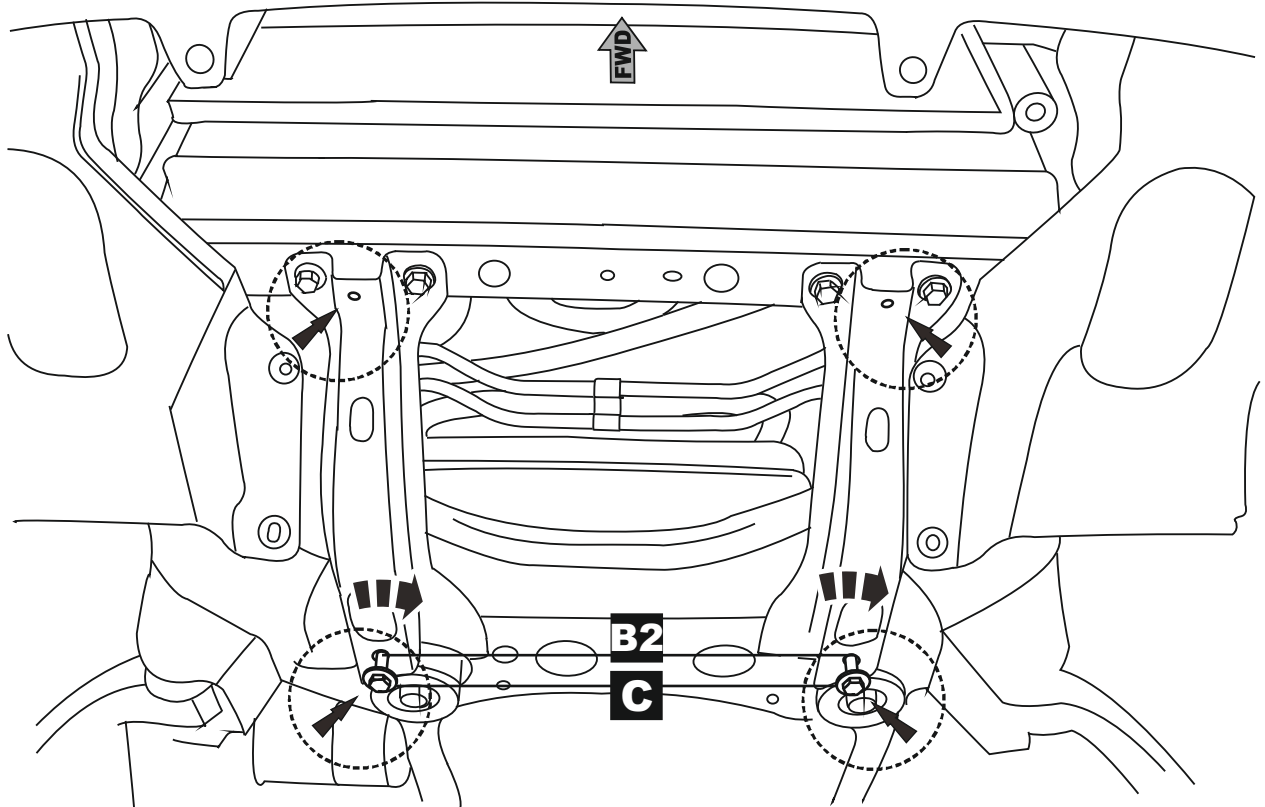
Part number:  
IUP001E

Page:  
2/6

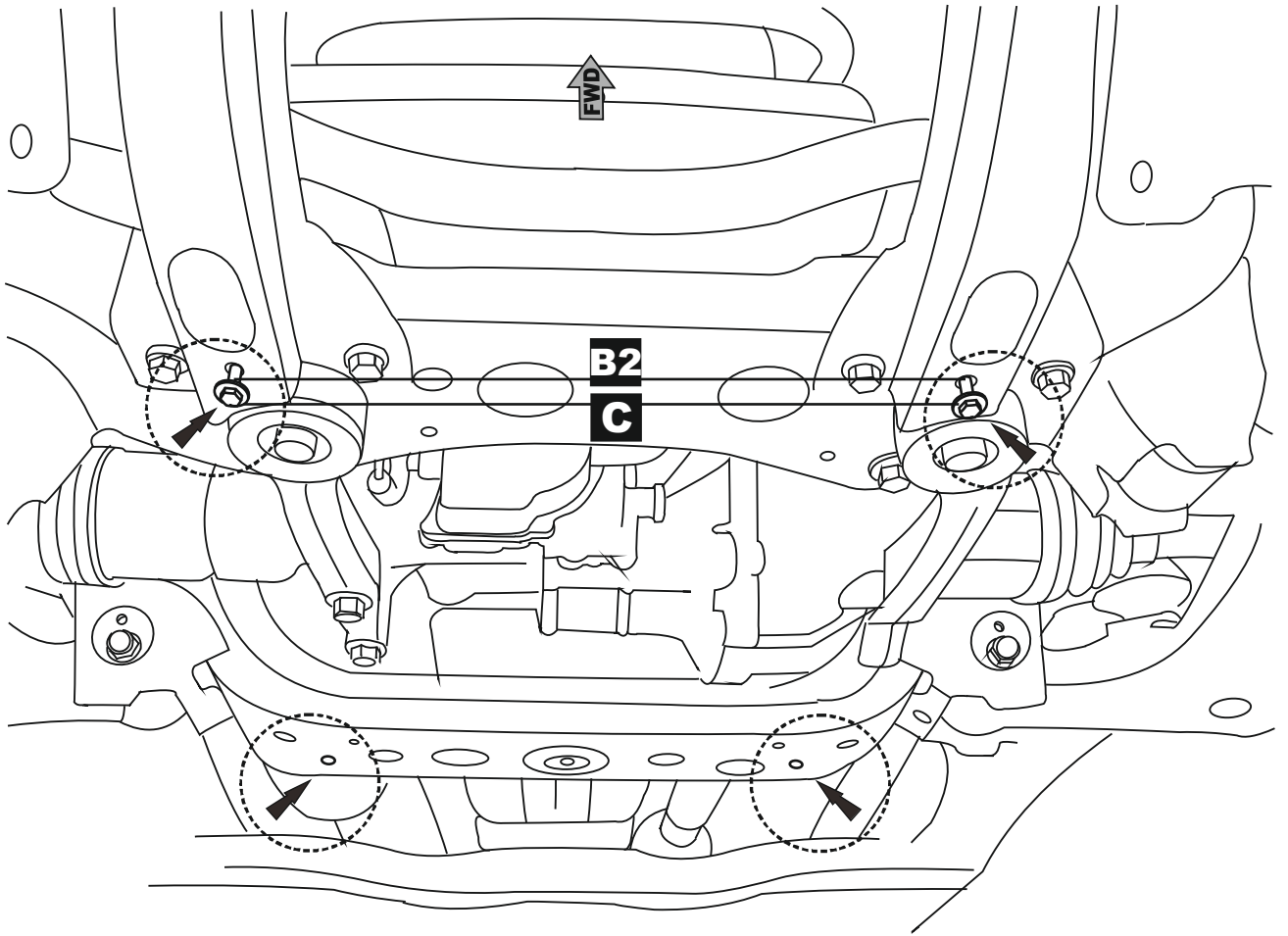
**1**



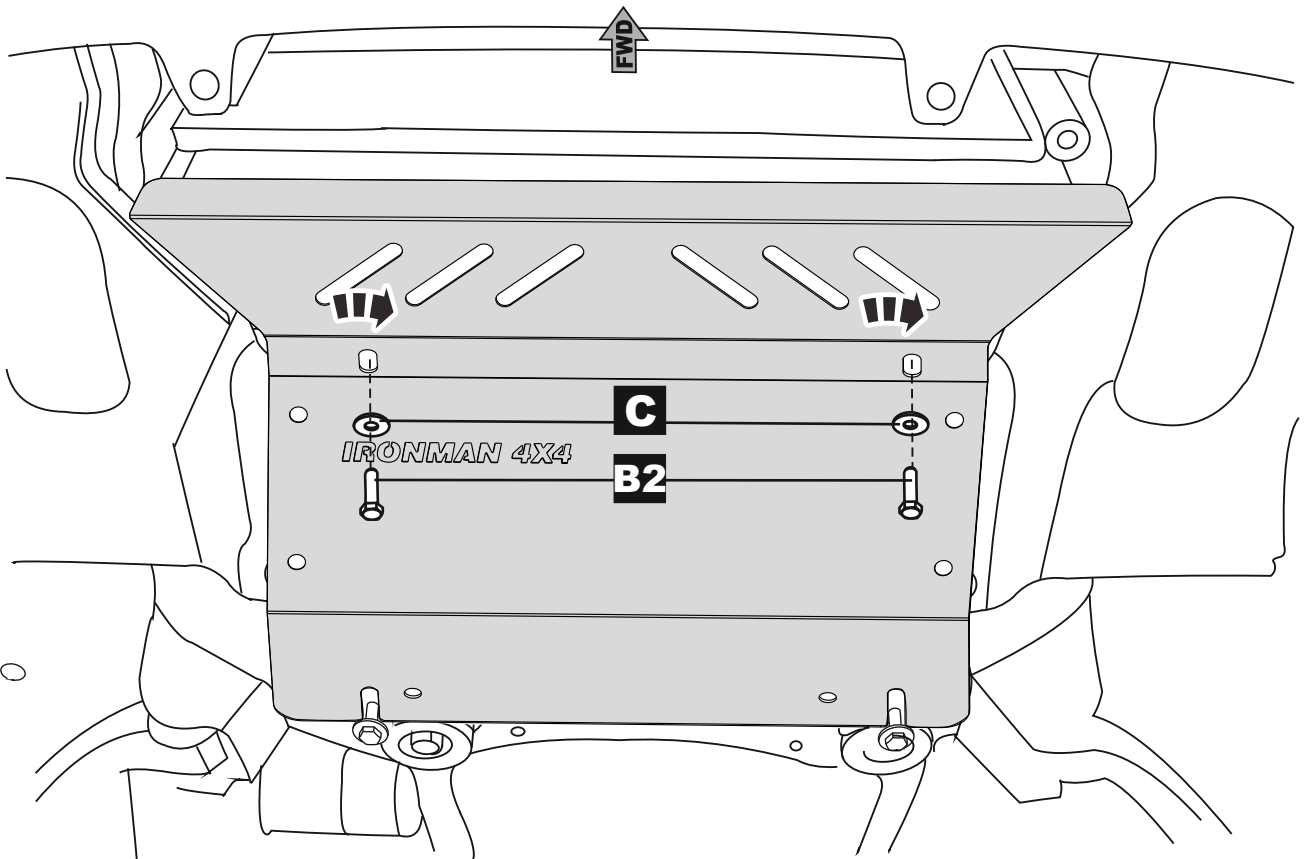
**2**



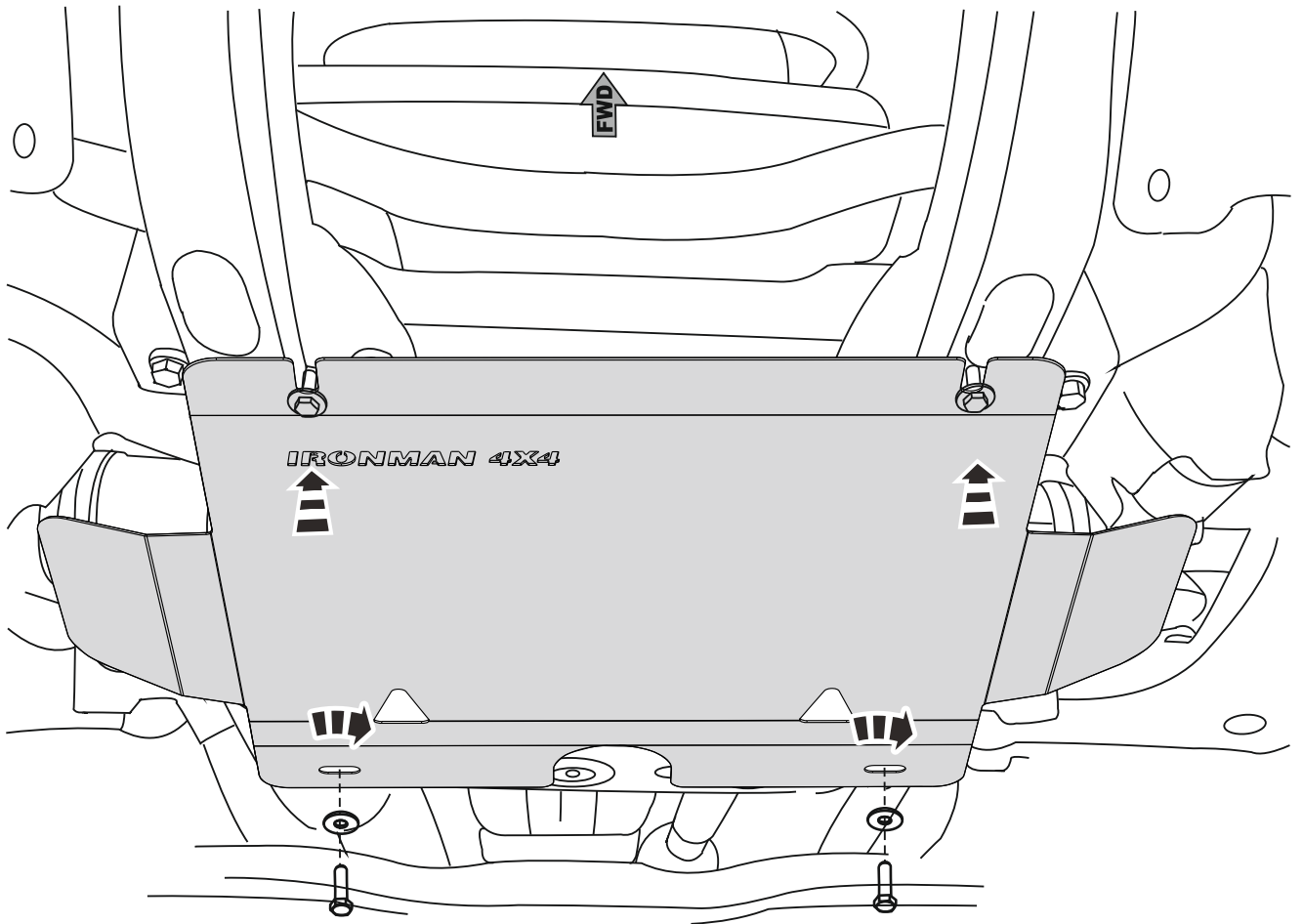
**3**



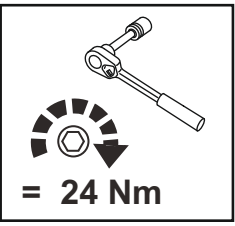
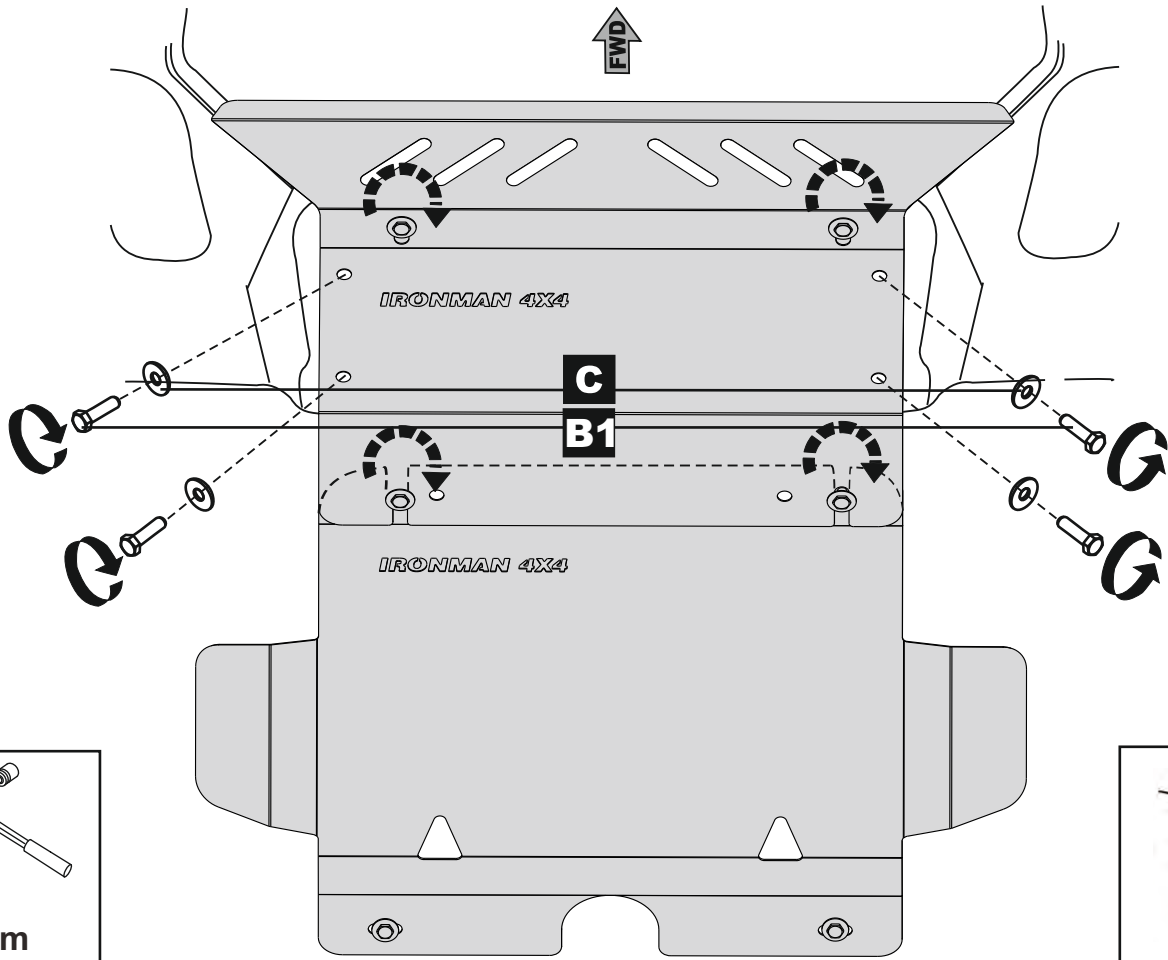
**4**



5

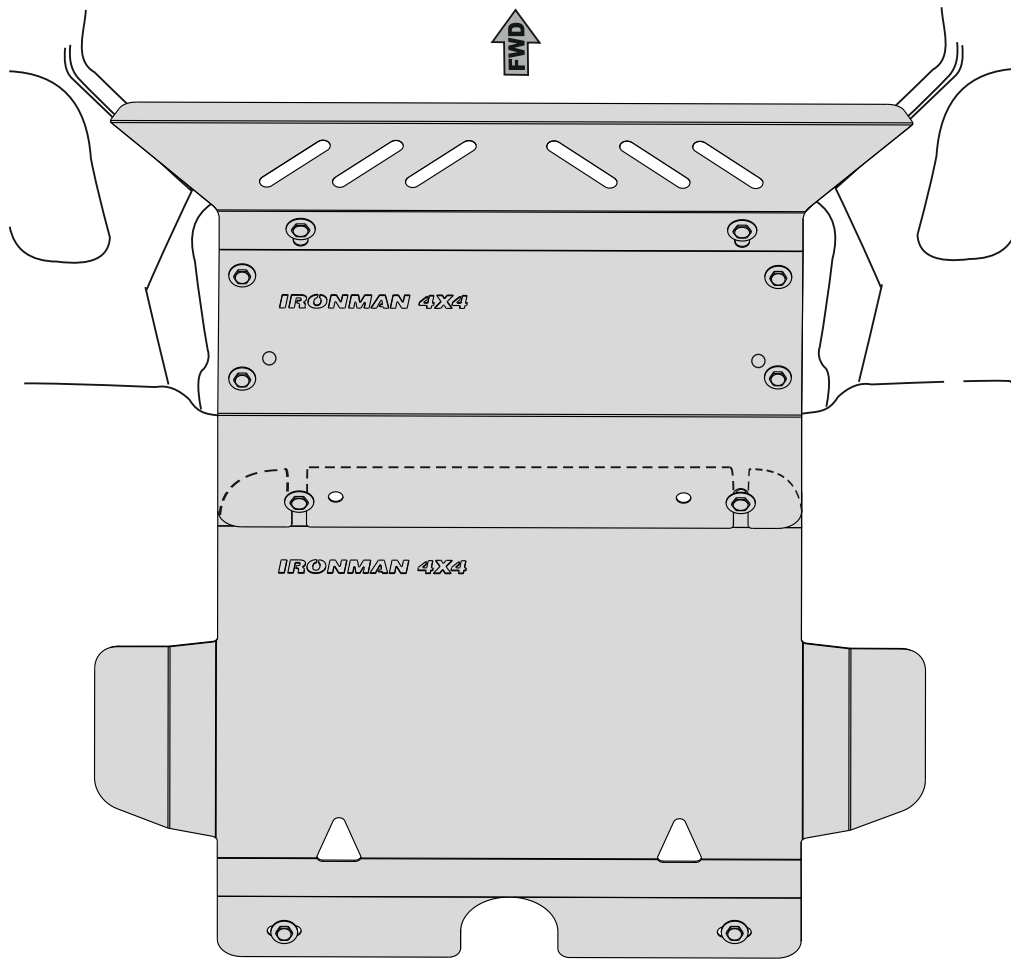


6





7



[www.ironman4x4.com](http://www.ironman4x4.com)

**IRONMAN 4X4  
MELBOURNE SHOWROOM**  
Cnr Centre & Westall Roads,  
Clayton, Victoria 3168  
Telephone +61 3 9532 1111

**IRONMAN 4X4  
BRISBANE SHOWROOM**  
1 Hinkler Court  
Brendale, QLD, 4500  
Telephone (07) 3482 9500

**IRONMAN 4X4  
PERTH SHOWROOM**  
Unit 9/511 Abernethy Road  
Kewdale, WA, 6105  
Telephone (08) 6254 4444

Part number:  
IUP001E

Page:  
6/6



Installation Instructions for IUP001T  
Toyota Hilux  
Underbody Protection Plate  
Transmission



Model Year: 2005-

Part Number: IUP001T



Weight: 10.5 kg



Installation Time: 20 min

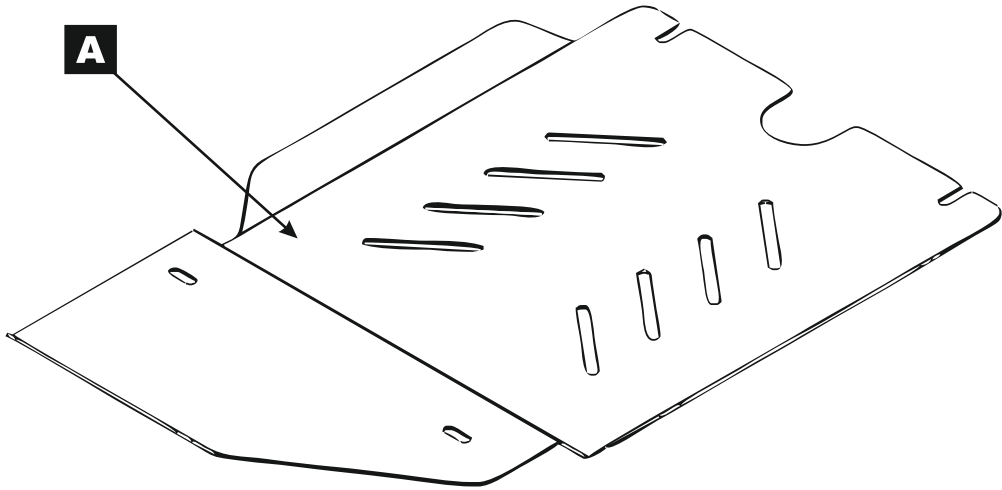
[www.ironman4x4.com](http://www.ironman4x4.com)

**IRONMAN 4X4  
MELBOURNE SHOWROOM**  
Cnr Centre & Westall Roads,  
Clayton, Victoria 3168  
Telephone +61 3 9532 1111

**IRONMAN 4X4  
BRISBANE SHOWROOM**  
1 Hinkler Court  
Brendale, QLD, 4500  
Telephone (07) 3482 9500

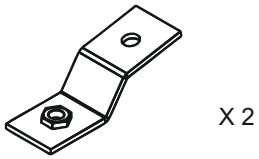
**IRONMAN 4X4  
PERTH SHOWROOM**  
Unit 9/511 Abernethy Road  
Kewdale, WA, 6105  
Telephone (08) 6254 4444

Part number: IUP001T



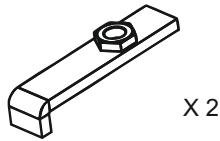
IUP001T

**B**



X 2

**C**



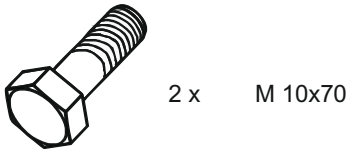
X 2

**D1**



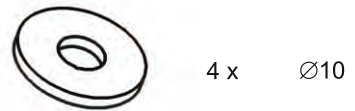
2 x M 10x20

**D2**

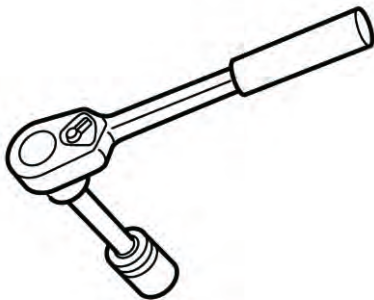


2 x M 10x70

**E**



4 x Ø10

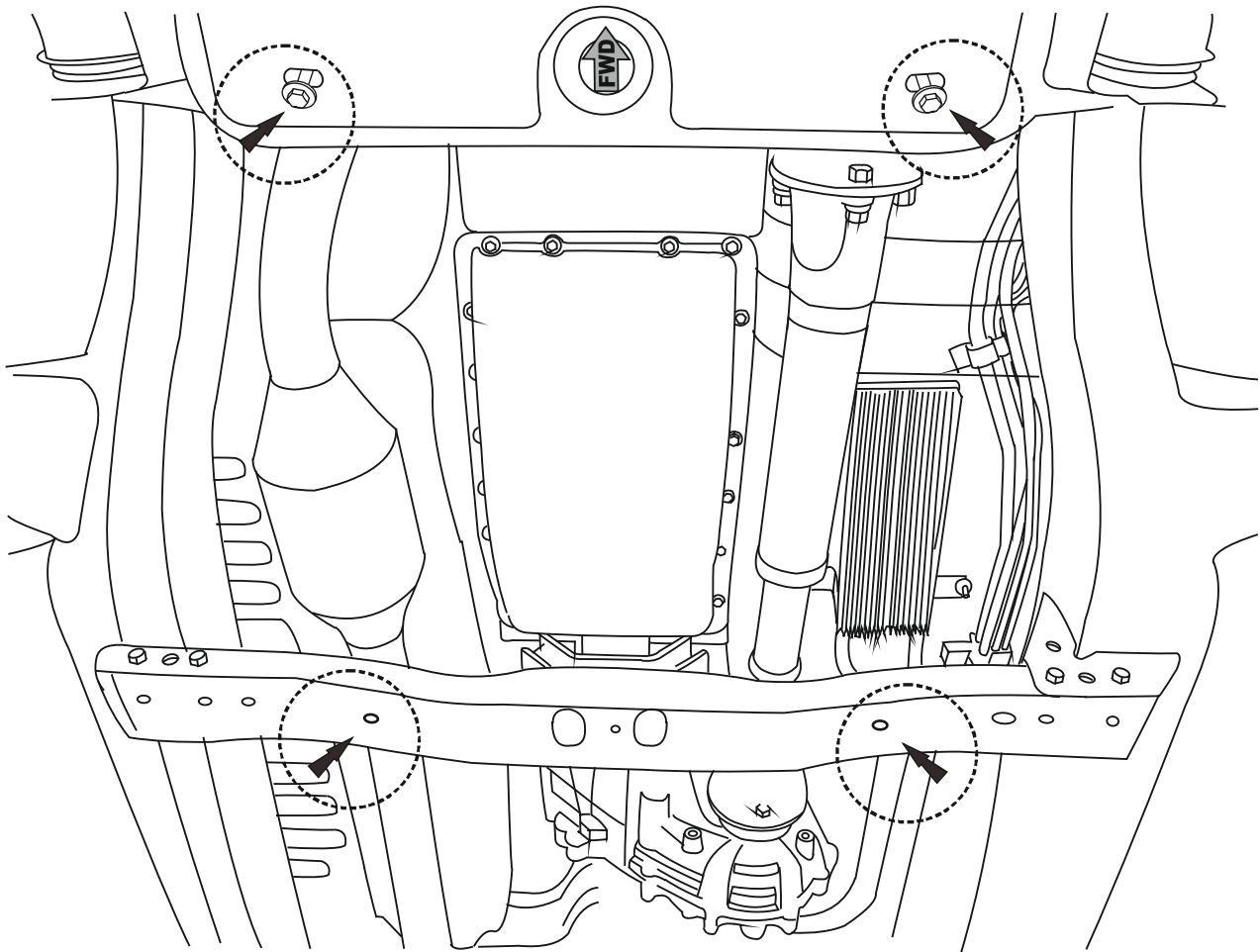


Part number:  
IUP001T

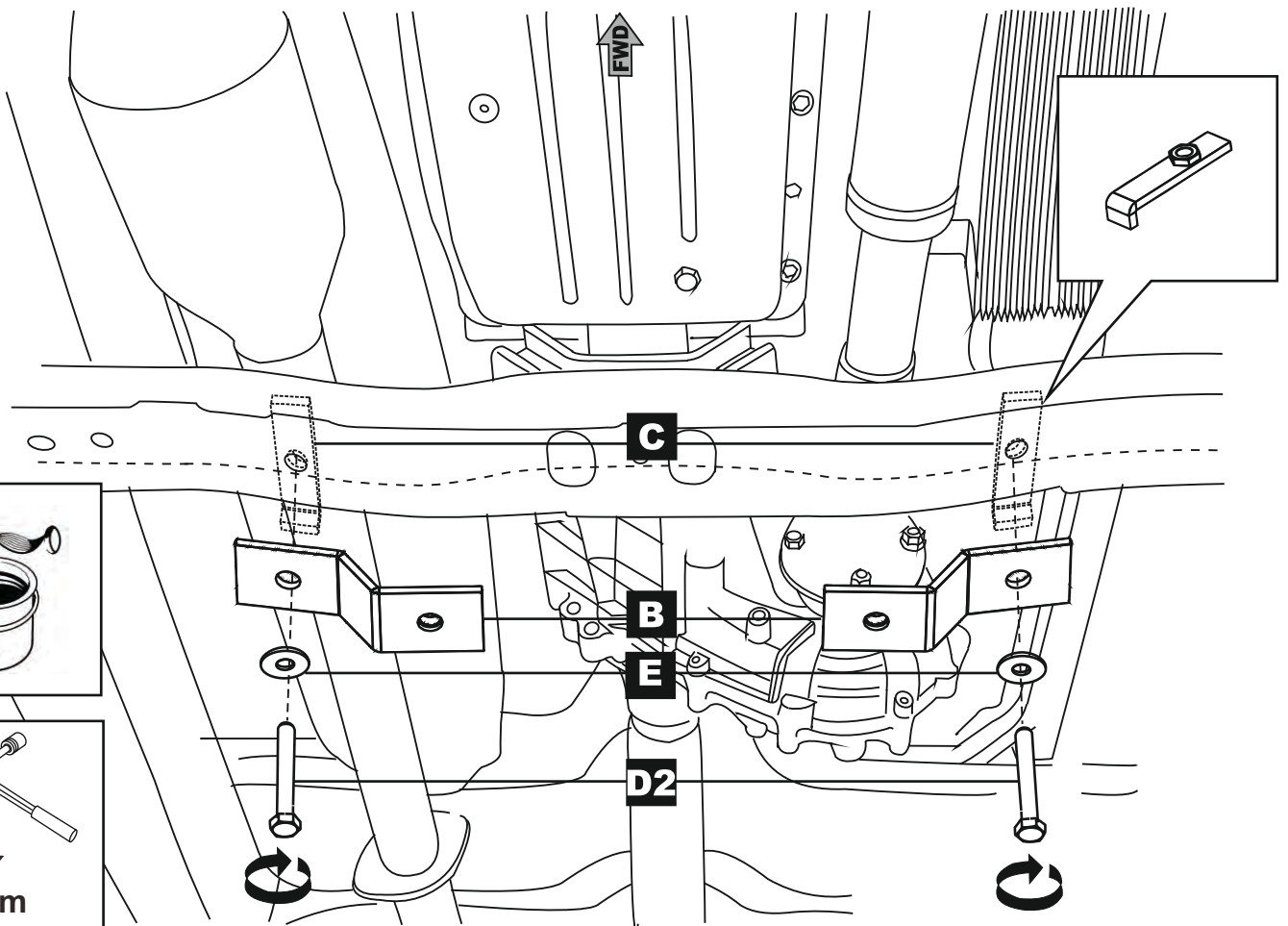
Page:  
2/4



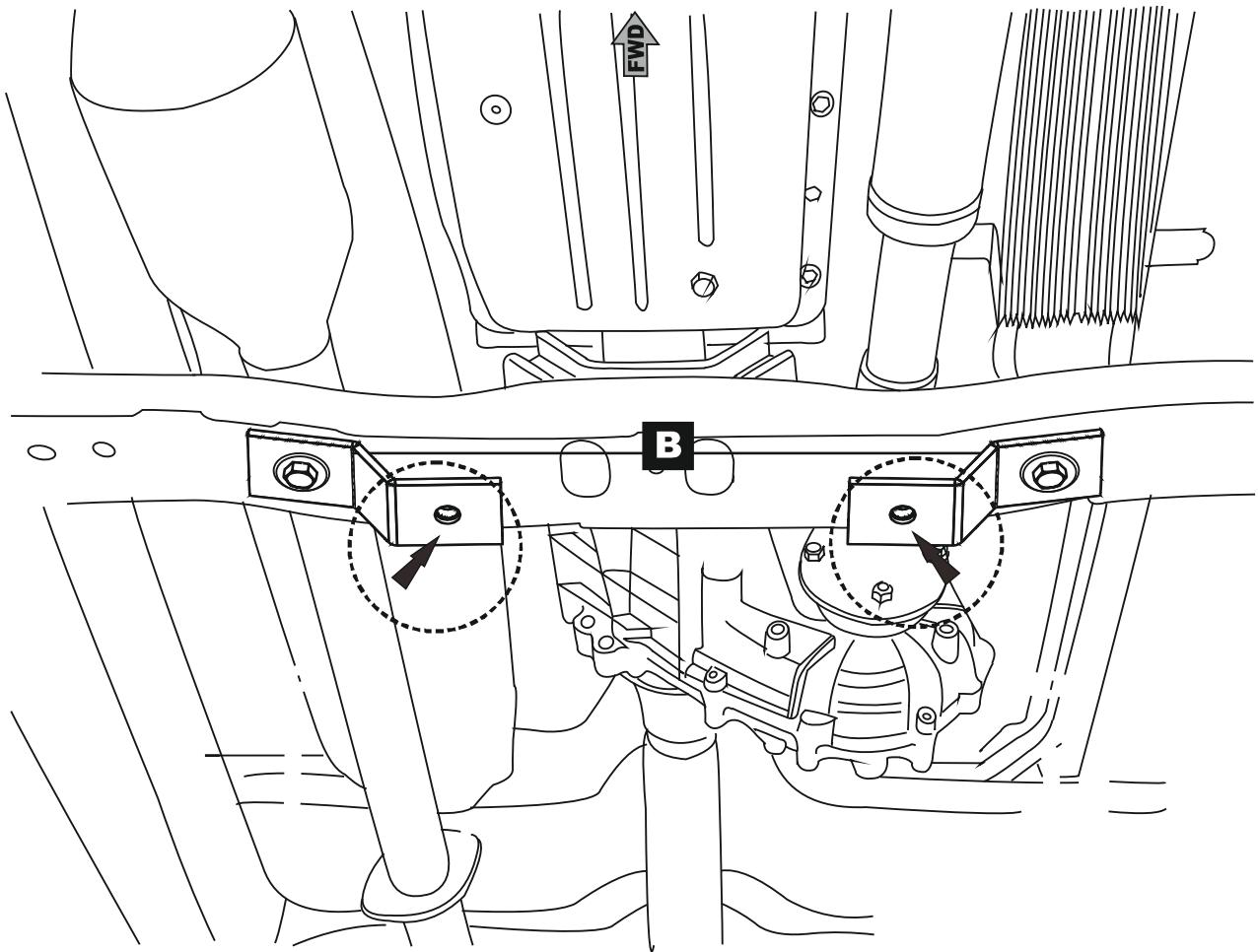
**1**



**2**



**3**



**4**

