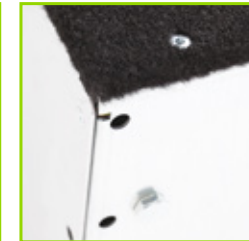




INSTALLATION GUIDE



TO SUIT THE FOLLOWING VEHICLES

Nissan Patrol GQ (Y60)
Nissan Patrol GU (Y61)
Toyota Landcruiser 60 Series
Toyota Landcruiser 80 Series
Toyota Landcruiser 100 Series
Toyota Landcruiser 200 Series
and others

**LOCK
SAFE**

1000 SERIES DRAWER SYSTEMS

**IF YOUR VEHICLE IS NOT SHOWN ABOVE,
PLEASE CONTACT YOUR NEAREST IRONMAN 4X4 AGENT**

Hardware Listing

WASHERS	PACKERS	BOLTS	NUTS
4 x 10 x 25mm	4 x 5mm	4 x M10 x 35mm	4 x M10 Nyloc
4 x Mudguard	2 x 10mm	2 x M10 x 40mm	
2 x Patrol Wash	4 x 15mm	2 x M10 x 50mm	
	4 x 20mm		

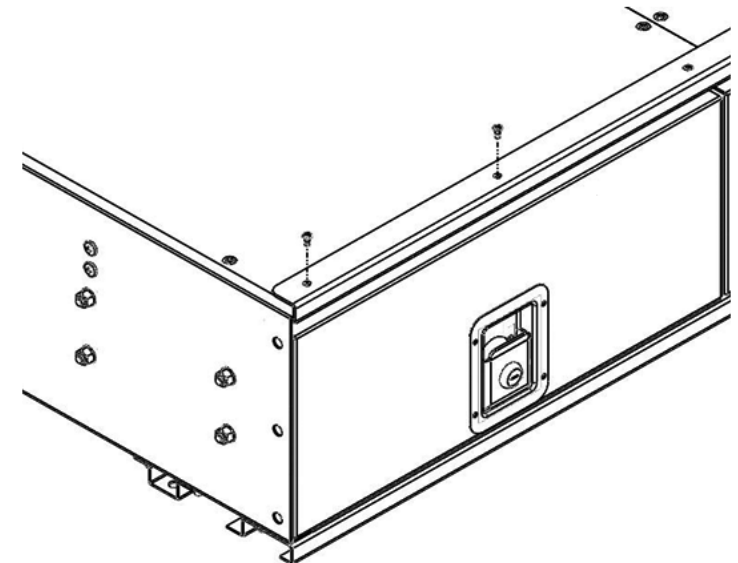
NOTE: As this system is made to suit multiple vehicles, you may have some hardware left over.

STEP 1

Please ensure your drawer system is compatible with your vehicle prior to commencing installation

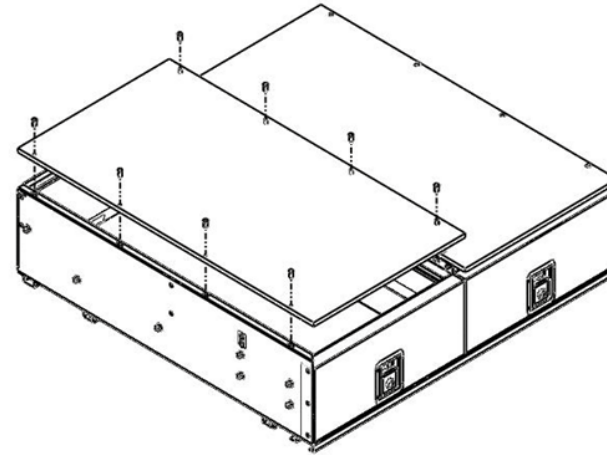
STEP 2

Remove aluminium front trim from drawer assembly by undoing the Phillips head screws as shown. Place screws aside.



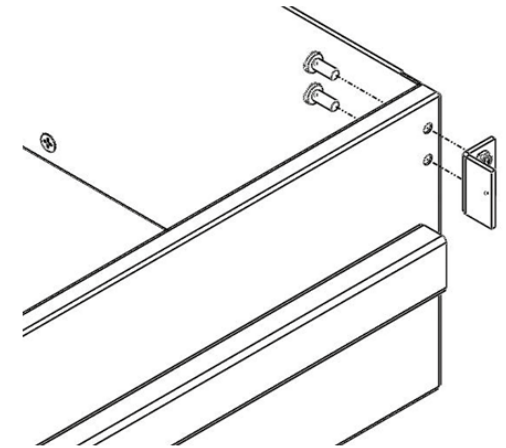
STEP 3

Remove carpeted top panels by undoing all socket head screws. Place screws aside.



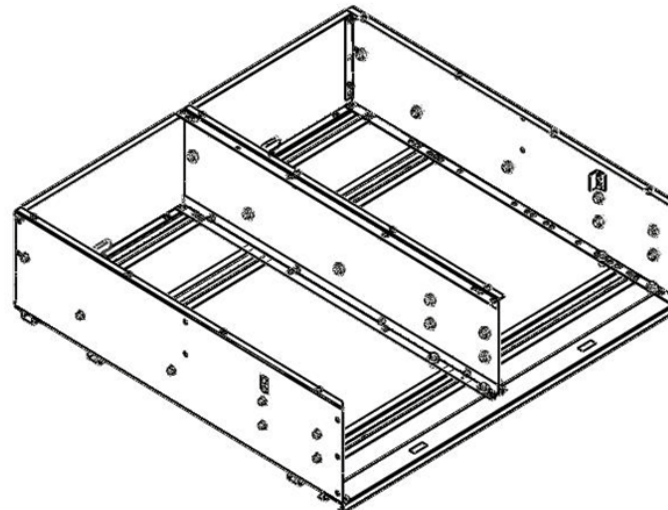
STEP 4

Remove drawer stops from the rear outside of drawer by undoing Phillips head screws. Place screws aside.



STEP 5

Remove drawers from outer frame.

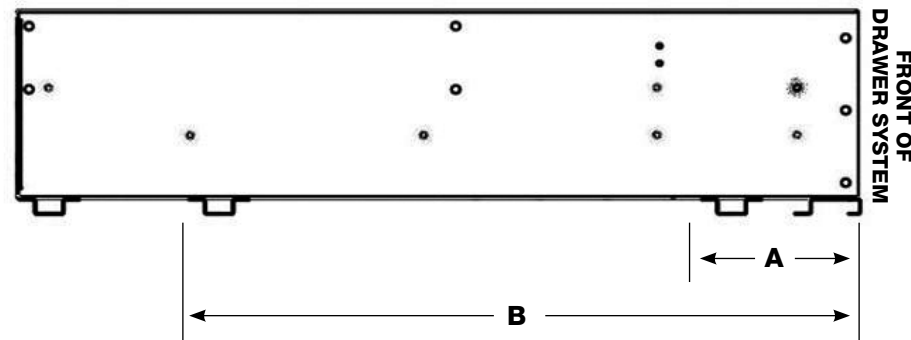


VEHICLE SPECIFIC FLOATING RIB INSTALLATION

Floating Rib Installation

1. Identify your vehicle information on the Vehicle Mounting Ribs Measurements table on the following page.
2. You will notice along the inside bottom flange of all bearing panels there are various holes punched, this is where you need to fix the floating ribs in the positions you will get from the table. There are two floating ribs with two different mounting positions. Refer to Diagram 1. Some vehicles may only require one floating rib as the front or back rail may be used.
3. Most vehicles will have standard width floating ribs. In some cases, in a standard 80 Series the floating rib needs to be longer and is supplied as a two piece (sold separately). This is to accommodate vehicle fixing mounts that are outside the system's width, the fixings to the frame remain the same as the positions used in the table.
4. The position measurement (A & B) is taken from the front edge of the lock rail to the rear edge of the floating rib.
5. Your required fixing position of the floating ribs will line up with existing holes.
6. Reuse existing hardware provided to mount the floating ribs to frame in prescribed position.

Diagram 1

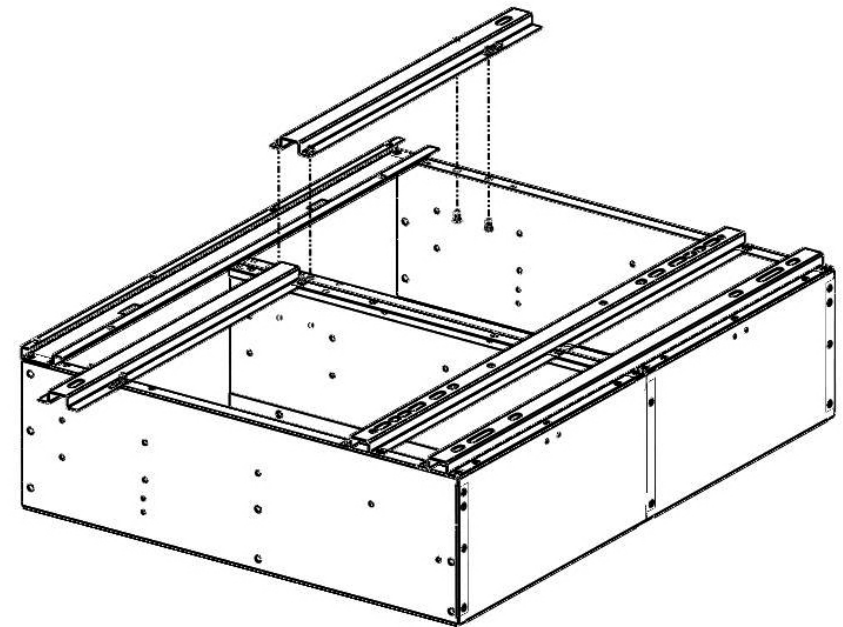


SEE TABLE ON FOLLOWING PAGE



Vehicle Mounting Ribs Measurements Table

VEHICLE APPLICATION	VEHICLE MODEL	MEASUREMENT "A" (mm)	MEASUREMENT "B" (mm)
Toyota Landcruiser 80 Series	Standard/Barn Doors (1990-97)	192	803
Toyota Landcruiser 80 Series	GXL, Sahara (1990-97)	435	803
Toyota Landcruiser 100 Series	GXL, VX, Sahara (1998-07)	296	801
Toyota Landcruiser 100 Series	Standard (1998-07)	450	801
Toyota Landcruiser 200 Series	GXL, VX, Sahara (2008+)	489	801
Nissan GQ Patrol	DX, ST, Ti	182	710
Nissan GU Patrol	DX, ST, ST-S, STL, Ti	199	782

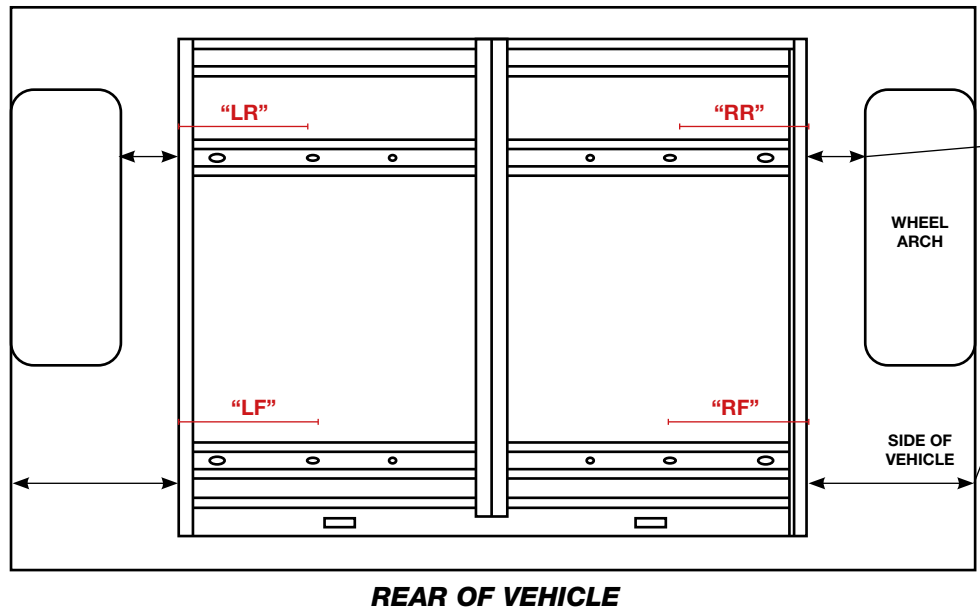


**80 Series Barn Door
2-Piece Floating Rib (purchased separately)**



Locating and Centralising the Drawer

1. Prepare the vehicle removing any seats and obstructions. Refer to Pages 10-13 for your vehicle specific instructions.
2. For vehicles with existing mounting points, locate these and align the holes in the floating ribs.
3. For vehicles with no existing mounting points, refer to your vehicle specific instructions.
4. Centralise the Drawer System in your vehicle by taking a reference measurement on the vehicle such as the side panels or wheel arches. Ensure dimensions are equal both sides. This will put the frame where it needs to be and the floating ribs hole positions should now be visible and accurate. This is more critical when you intend to install a wing kit at a later date.
5. Using the measurement provided in the Hardware Location Matrix on page 7 for LF/RF & RR/RF, locate the existing holes in the floating ribs. In most cases these should line up with existing bolt holes in the floor. Fix the drawer system to your vehicle using these four locations and the prescribed install per the Hardware Listing Table commencing on page 8.
6. At this point, only tighten bolts to finger tight. Check again for centralising and when correct, tighten down.



NOTE: To help centralise the unit, use a tape measure to position the frame using the side panels, the wheel arches or a similar reference point on each side.

IMPORTANT: Refer to Table on page 5 for vehicle specific floating rib measurements.



Hardware Location Matrix

MAKE	VEHICLE	MODEL	“LF” (mm)	“RF” (mm)	“LR” (mm)	“RR” (mm)
Toyota	Landcruiser 80 Series	Standard/ Barn Doors (1990-97)	40	40	225	225
Toyota	Landcruiser 80 Series	GXL, Sahara (1990-97)	225	225	225	225
Toyota	Landcruiser 100 Series	Standard (1998-07)	13	13	225	225
Toyota	Landcruiser 100 Series	GXL, VX, Sahara (1998-07)	225	225	225	225
Toyota	Landcruiser 200 Series	GXL, VX, Sahara (2008+)	218	218	218	218
Nissan	GQ Patrol	DX, ST, Ti	71	71	71	351
Nissan	GU Patrol	DX, ST, ST-S, STL, Ti	60	60	222	222



Hardware Listing Table

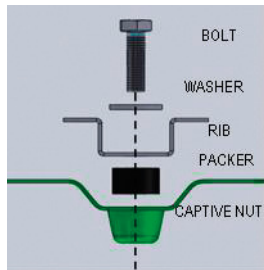
VEHICLE APPLICATION	VEHICLE MODEL	HARDWARE USED "LF" (mm)	HARDWARE USED "RF" (mm)	HARDWARE USED "LR" (mm)	HARDWARE USED "RR" (mm)
Toyota Landcruiser 80 Series	Standard/ Barn Doors (1990-97)	M10 x 35mm Bolt 10 x 25mm Washer 5mm Packer Mudguard Washer M10 Nyloc REF 5	M10 x 35mm Bolt 10 x 25mm Washer 5mm Packer Mudguard Washer M10 Nyloc REF 5	M10 x 35mm Bolt 10 x 25mm Washer 5mm Packer Mudguard Washer M10 Nyloc REF 5	M10 x 35mm Bolt 10 x 25mm Washer 5mm Packer Mudguard Washer M10 Nyloc REF 5
Toyota Landcruiser 80 Series	GXL, Sahara (1990-97)	M10 x 35mm Bolt 10 x 25mm Washer 5mm Packer REF 1	M10 x 35mm Bolt 10 x 25mm Washer 5mm Packer REF 1	M10 x 35mm Bolt 10 x 25mm Washer 5mm Packer REF 1	M10 x 35mm Bolt 10 x 25mm Washer 5mm Packer REF 1
Toyota Landcruiser 100 Series	Standard (1998-07)	M10 x 35mm Bolt 10 x 25mm Washer 15mm Packer REF 1	M10 x 35mm Bolt 10 x 25mm Washer 15mm Packer REF 1	M10 x 35mm Bolt 10 x 25mm Washer 15mm Packer REF 1	M10 x 35mm Bolt 10 x 25mm Washer 15mm Packer REF 1
Toyota Landcruiser 100 Series	GXL, VX, Sahara (1998-07)	M10 x 35mm Bolt 10 x 25mm Washer 20mm Packer REF 1	M10 x 35mm Bolt 10 x 25mm Washer 20mm Packer REF 1	M10 x 35mm Bolt 10 x 25mm Washer 20mm Packer REF 1	M10 x 35mm Bolt 10 x 25mm Washer 20mm Packer REF 1



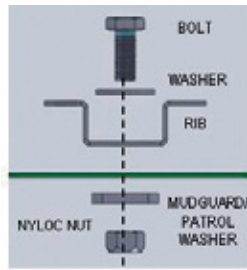
Hardware Listing Table

VEHICLE APPLICATION	VEHICLE MODEL	HARDWARE USED "LF" (mm)	HARDWARE USED "RF" (mm)	HARDWARE USED "LR" (mm)	HARDWARE USED "RR" (mm)
Toyota Landcruiser 200 Series	GXL, VX, Sahara (2008+)	M10 x 40mm Bolt 10 x 25mm Washer 20mm Packer REF 1	M10 x 40mm Bolt 10 x 25mm Washer 20mm Packer REF 1	M10 x 50mm Bolt 10 x 25mm Washer 25mm Packer REF 1	M10 x 50mm Bolt 10 x 25mm Washer 25mm Packer REF 1
Nissan GQ Patrol	DX, ST, Ti	M10 x 35mm Bolt 10 x 25mm Washer 5mm Packer Patrol Washer M10 Nyloc REF 5	M10 x 35mm Bolt 10 x 25mm Washer 5mm Packer Patrol Washer M10 Nyloc REF 5	M10 x 35mm Bolt 10 x 25mm Washer 5mm Packer Mudguard Washer M10 Nyloc REF 5	M10 x 35mm Bolt 10 x 25mm Washer 5mm Packer Mudguard Washer M10 Nyloc REF 5
Nissan GU Patrol	DX, ST, ST-S, STL, Ti	M10 x 35mm Bolt 10 x 25mm Washer 10mm Packer Patrol Washer M10 Nyloc REF 5	M10 x 35mm Bolt 10 x 25mm Washer 10mm Packer Patrol Washer M10 Nyloc REF 5	M10 x 35mm Bolt 10 x 25mm Washer 15mm Packer Mudguard Washer M10 Nyloc REF 5	M10 x 35mm Bolt 10 x 25mm Washer 15mm Packer Mudguard Washer M10 Nyloc REF 5

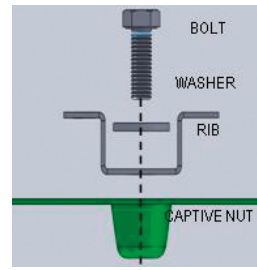
Hardware Application Reference



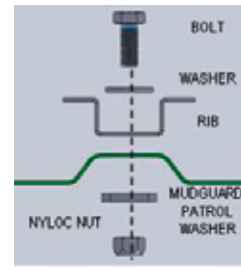
Ref 1



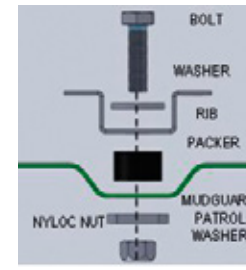
Ref 2



Ref 3



Ref 4



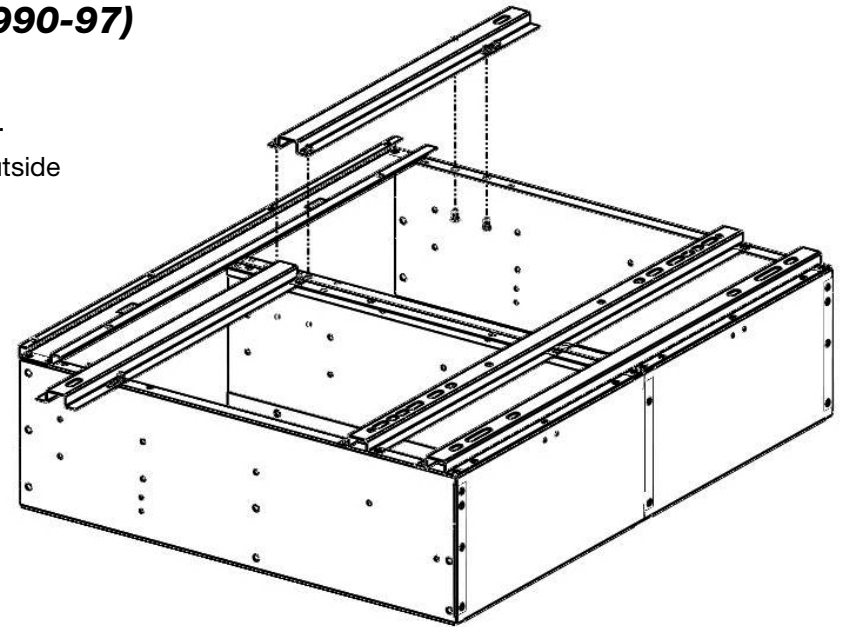
Ref 5



VEHICLE PREPARATION

TOYOTA Landcruiser 80 Series - Standard/ Barn Doors (1990-97)

1. Centre drawer system in the rear of vehicle.
2. Align front of drawer system to the screw holes in the plastic trim in rear door opening.
3. Mark the holes positions making sure the front two piece floating rib uses the holes outside the drawer system.
4. Drill the holes marked taking care not to damage under floor components eg. wiring harness, fuel lines, etc.
5. Use the Matrix to determine bolts and bolt locations.



**80 Series Barn Door
2-Piece Floating Rib (purchased separately)**

TOYOTA Landcruiser 80 Series - GXL, Sahara (1990-97)

1. Remove rear seats.
2. Remove rear seat mounts from floor and refit inside bolts.
3. The floating ribs will need to line up with rear seat mounting points.
4. Place a packer under the floating ribs as shown. This is to be done on each of the four fixing points.



TOYOTA Landcruiser 100 Series - Standard/ Barn Doors (1998-07)



1. Remove plastic trim as shown.



2. Pull back vinyl floor to expose plastic plugs. Remove plugs to expose captive nuts in the floor.

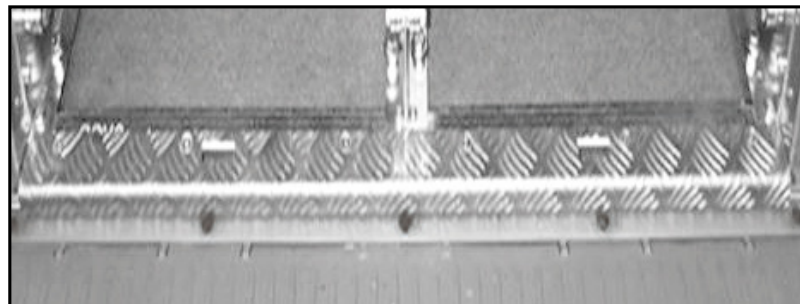


3. Drawer system can now be installed (Vinyl floor covering can be left out of vehicle or drilled through to allow bolts to be fitted).

TOYOTA Landcruiser 100 Series - GXL, VX, Sahara (1998-07)



1. Remove rear seats and remove seat mounting points.



2. Position the drawer system just behind the gap in the plastic trim (just over screw holes in plastic trim as shown).



3. The floating ribs will need to line up with existing rear seat mounting points in the vehicle floor. Place a packer under the floating ribs as shown. This is to be done on each of the four fixing points.



TOYOTA Landcruiser 200 Series - GXL, VX, Sahara (2008+)



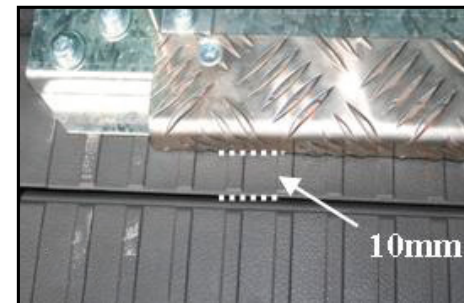
1. Remove rear seats and seat belts.



2. Remove all floor mounting points and refit four inner bolts.



3. If you have the Sahara model you will need to trim the plastic slightly to allow for bolts and packers to be fitted

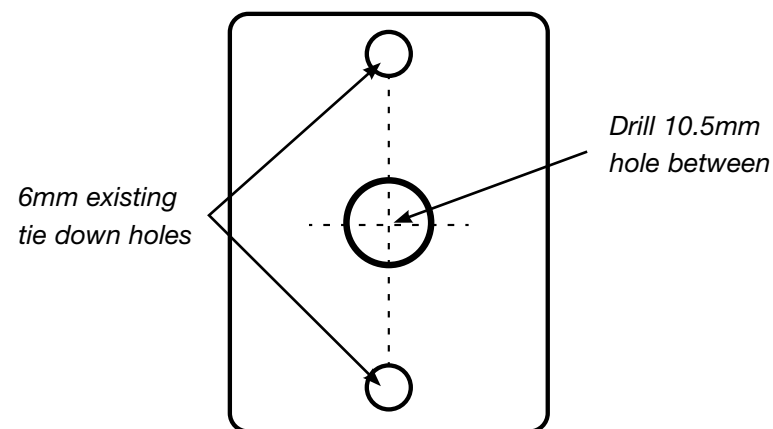


3. Position drawer system 10mm back from gap in plastic trim as shown.

NISSAN GQ Patrol - DX, ST, Ti

1. Remove rear most tie down points from cargo area.
2. Mark the exact centre between the two 6mm holes from where tie down points were removed and drill a 10.5mm hole as per Diagram 2. Care must be taken not to damage under floor components eg. wiring harness, fuel lines, etc.
3. Place drawer system in cargo area so that mounting holes in front floating rib line up with 10.5mm holes drilled in previous step.
4. Place 10mm x 30mm bolts with washers through holes and ensure drawer system is located centrally in cargo area.
5. Drill through mounting holes in rear floating rib.
6. Insert 10mm x 30mm bolts and washers through rear floating rib into vehicle floor.
7. From under floor install Nyloc nuts and body washers to all four bolts and tighten.

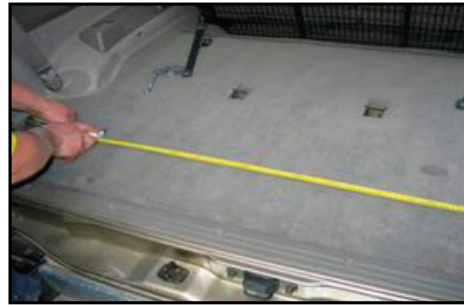
Diagram 2



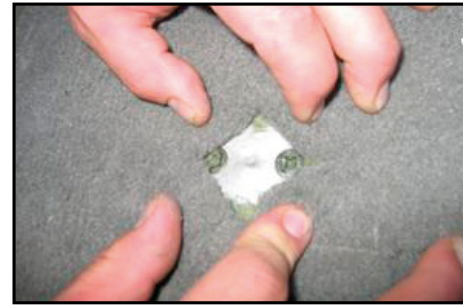
NISSAN GU Patrol - DX, ST, Ti



1. Remove rear seats (If applicable) and any other obstructions from floor. Remove rear most tie down on drivers side as shown.



2. From the centre of the tie down removed measure 900mm towards passenger side (below the carpet is another tie down point - feel through the carpet to locate). Once tie down point is located cut a cross and pull back carpet to expose this tie down point.



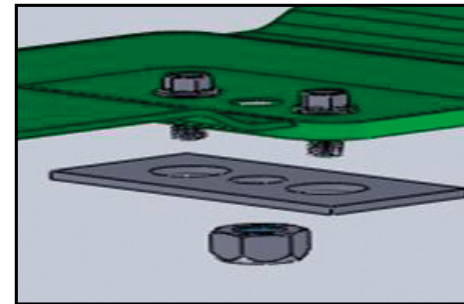
3. Once tie down points are exposed, drill a pilot holes centrally between the two screws. Now drill out to 10.5mm.



4. Place the drawer system in the cargo area of vehicle and align floating rib with the holes drilled in previous step. Centralise drawer system.



5. On rear mounting rib, measure 222mm from outside of drawer system and drill a pilot hole. **TAKE CARE ON DRIVERS SIDE AS BRAKE LINE IS VERY CLOSE.** Drill out to 10.5mm. Prop drawer system up to allow access to carpet under rib so carpet can be cut and folded back as per step 2.



6. Fasten drawer system in place. Rear floating rib utilises the Patrol Washer with 3 holes underneath the vehicle. You may need to remove the rubber caps over the screws either side of the bolt and brush off any dirt or residue over the screws to get the washer to sit flat against the vehicle floor.

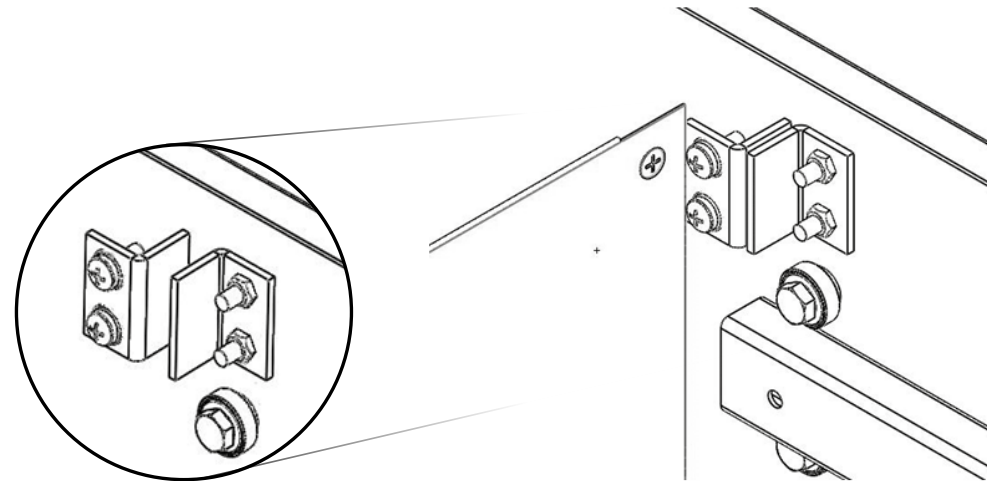


STEP 6

Reinsert drawers into frame and replace Drawer Stoppers into same position from which they were removed in step 4. Use the original hardware previously set aside to reattach.

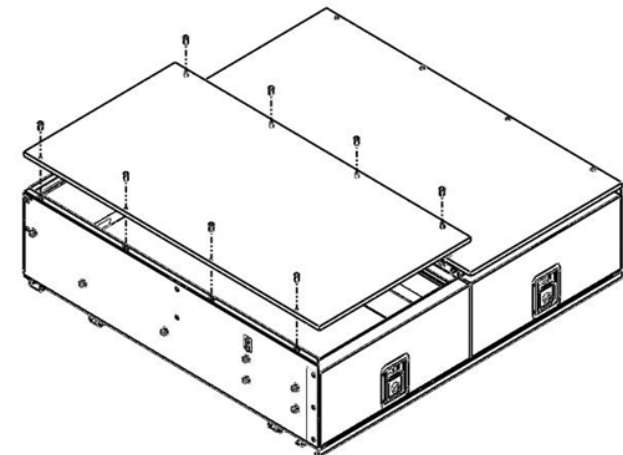
NOTE: Ensure drawer is pushed in far enough so that drawer stoppers overlap frame stoppers. See diagram. Note: Drawer removed from diagram). Also ensure stoppers are attached opposite each other as shown.

NOTE: This image may confuse as the drawer stop is pictured but the drawer is missing from diagram. The idea is to show how the assembly works and how it looks in situ. So imagine this drawer stop bracket is on the drawer.



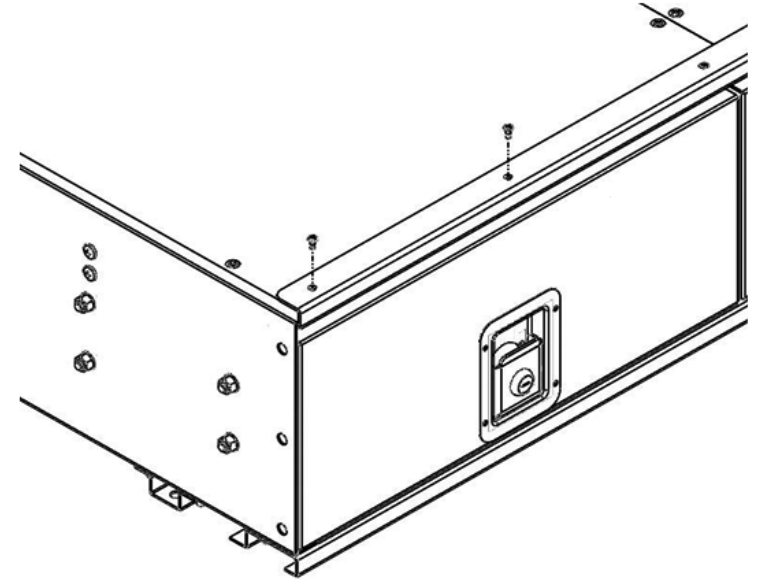
STEP 7

Reattach carpeted top panels using socket head screws previously removed in step 3.



STEP 8

Reattach aluminium front edge trim as previously removed in step 2.



COMPLETED

Your finished product should represent this picture.

