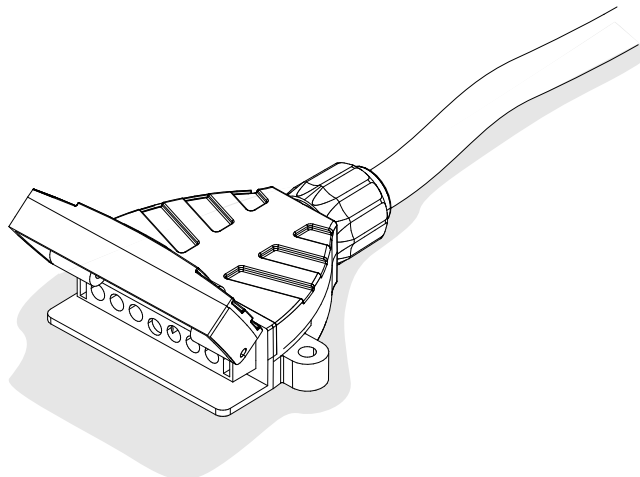


TOYOTA HILUX

10/05 >>

ITBL051



Installation instructions



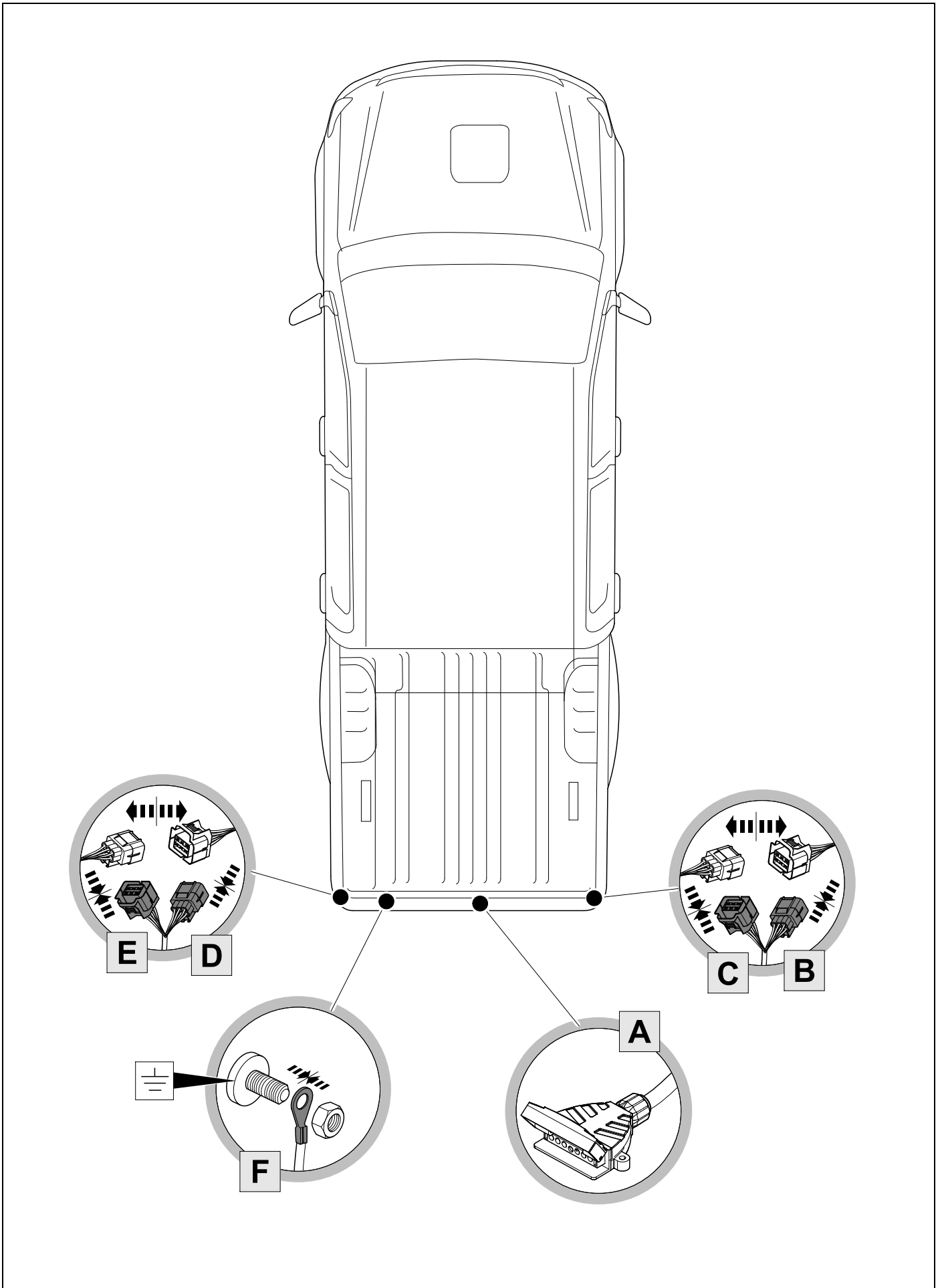
Reference:

The following information must be reviewed before beginning the assembly:

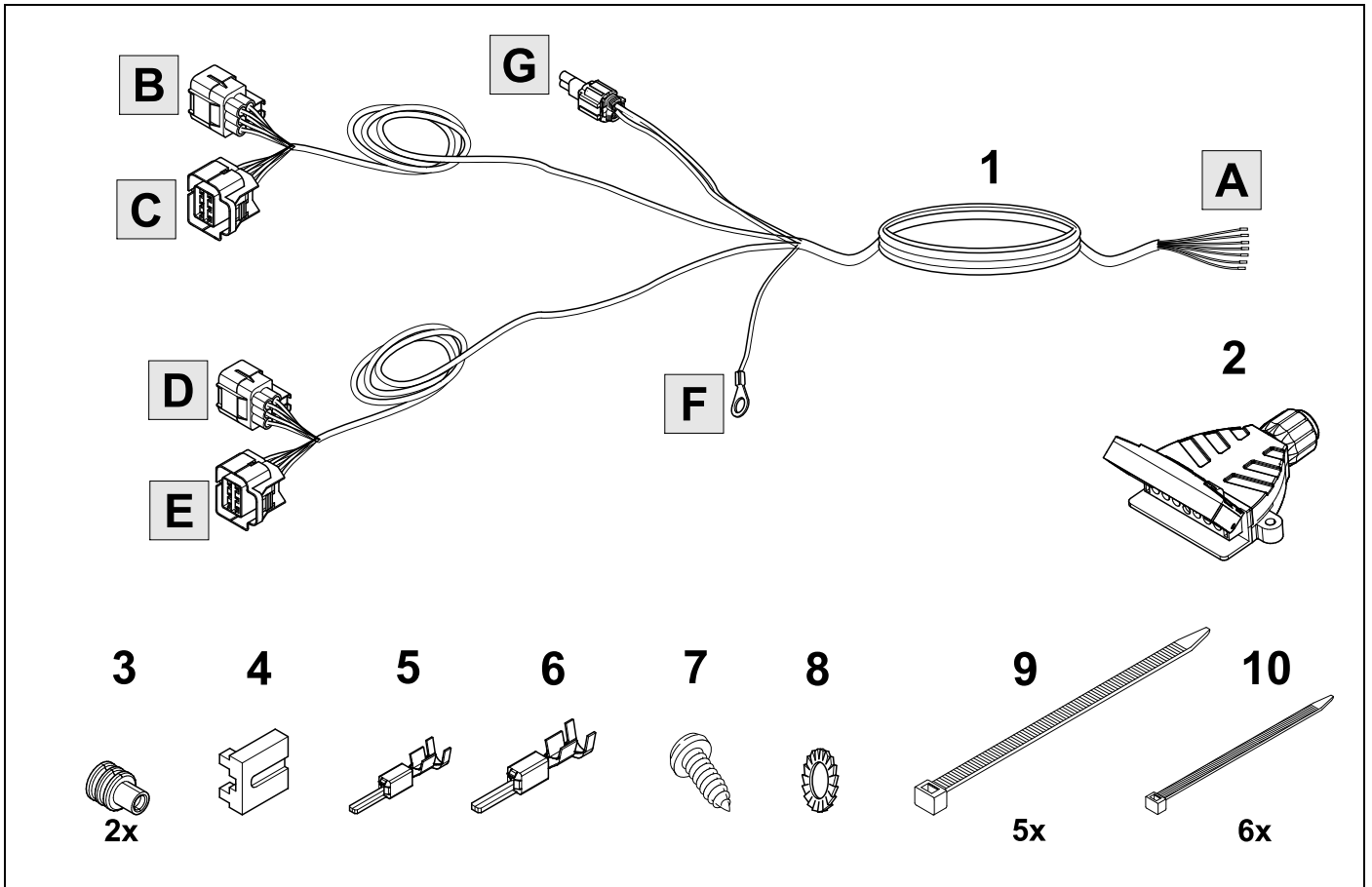


The installation instructions are to be thoroughly read.
The installation should be carried out by qualified personnel with the relevant technical knowledge.
The vehicle manufacturers' current technical notices and information on retrofitting must be followed.
The removal and replacement instructions found in the current repair manuals must be followed.
It must be ensured that the vehicle is technically suitable for the installation of a trailer hitch.

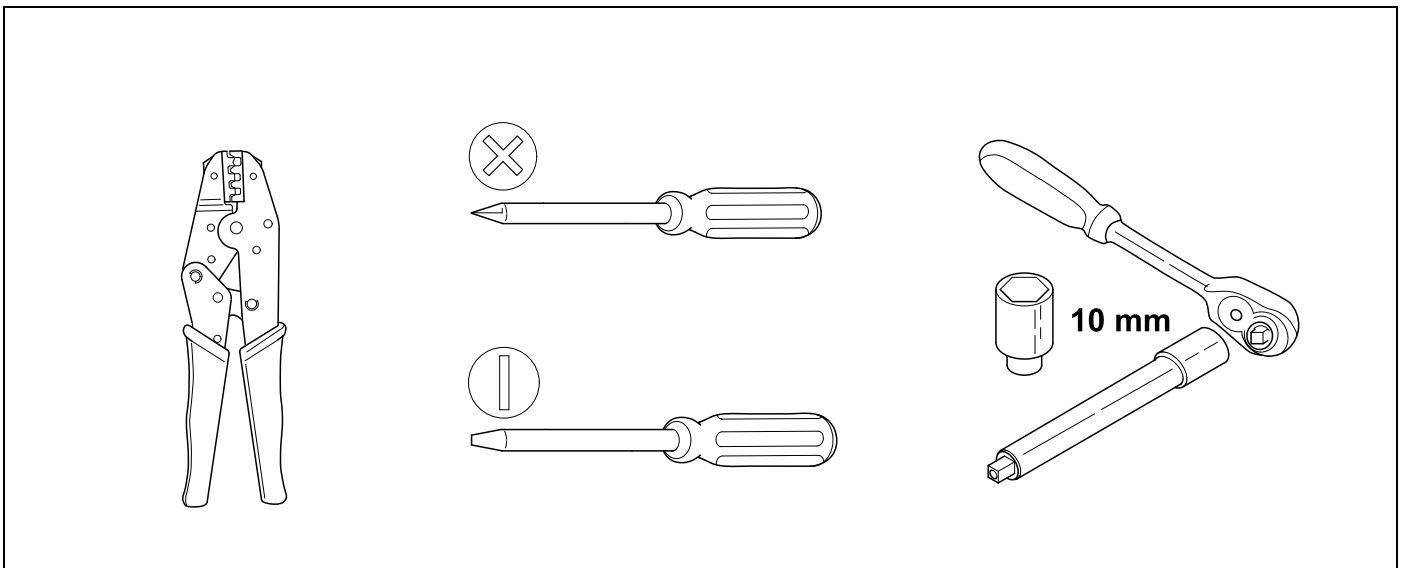
ROUTING



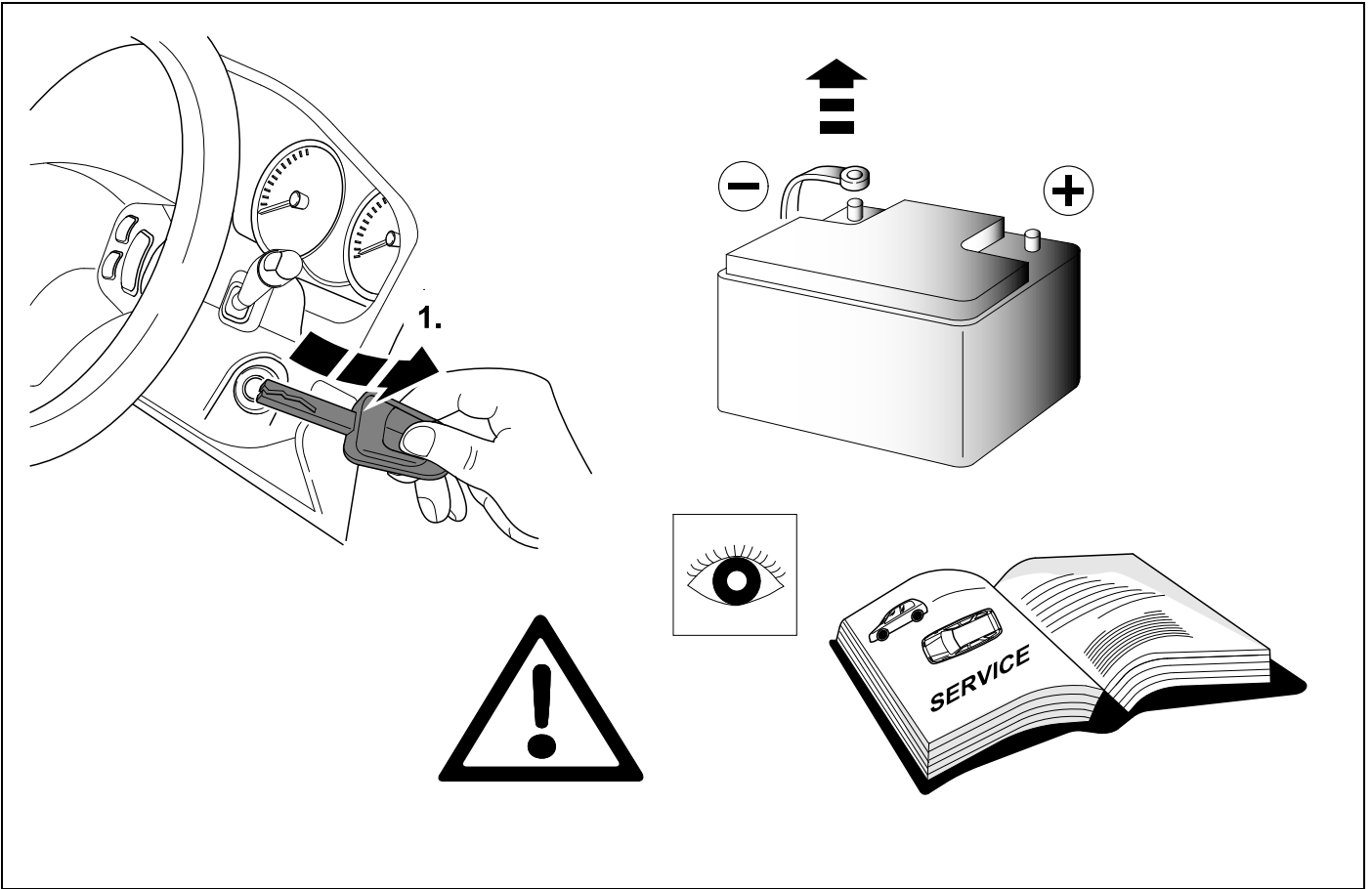
KIT



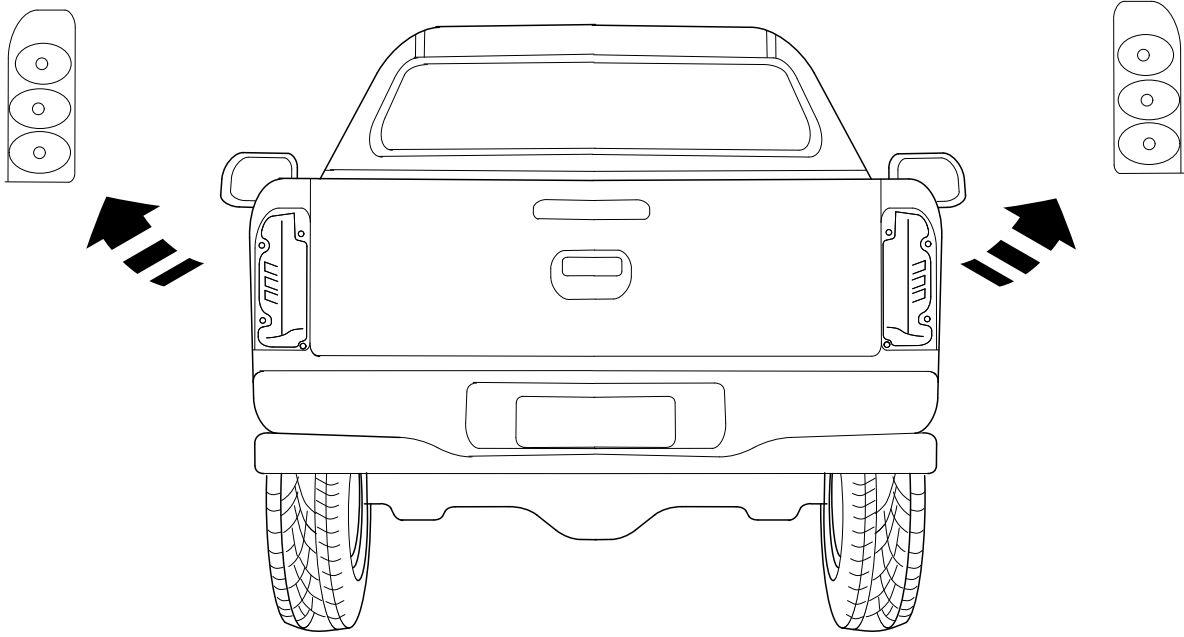
TOOLS



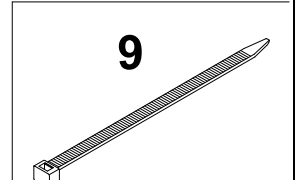
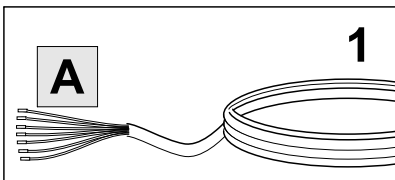
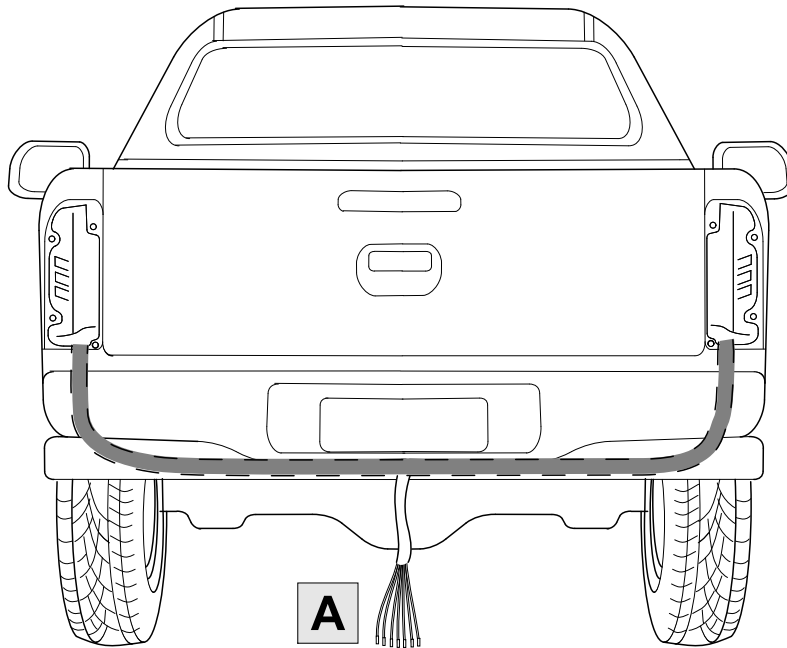
1



2 REMOVE

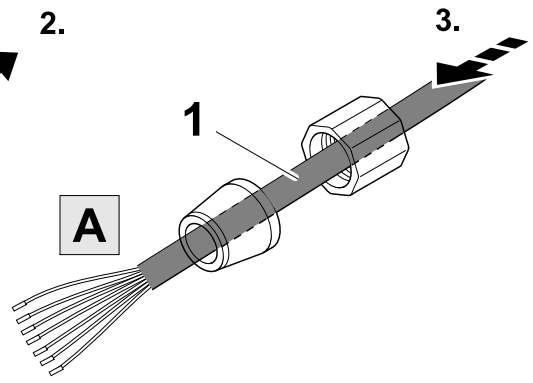
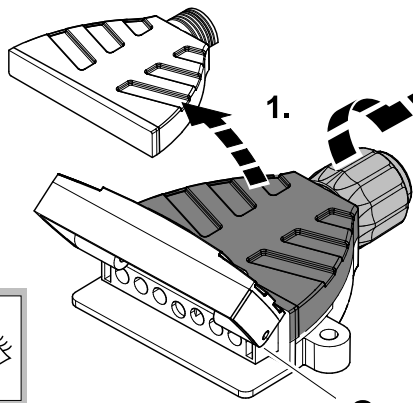
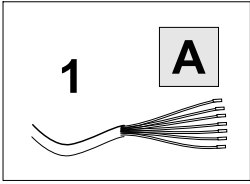


3

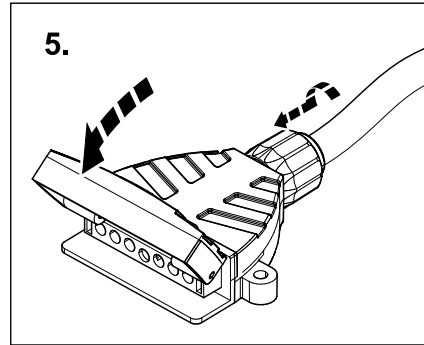
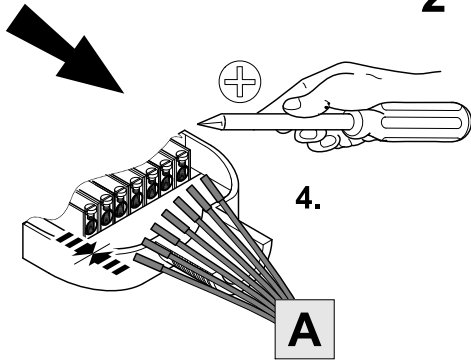
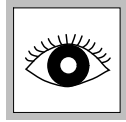


4

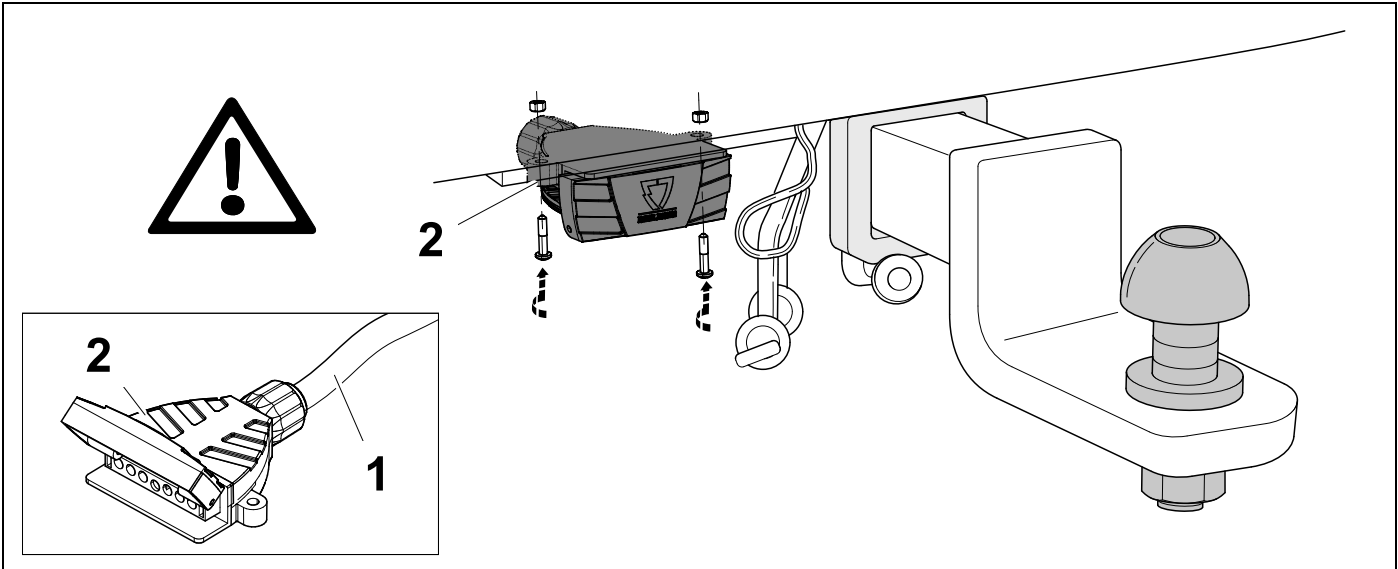
⇒ 6



gn	4	
bn	7	
bk	2	
wh	3	
bu	5	
rd	6	
ye	1	



5



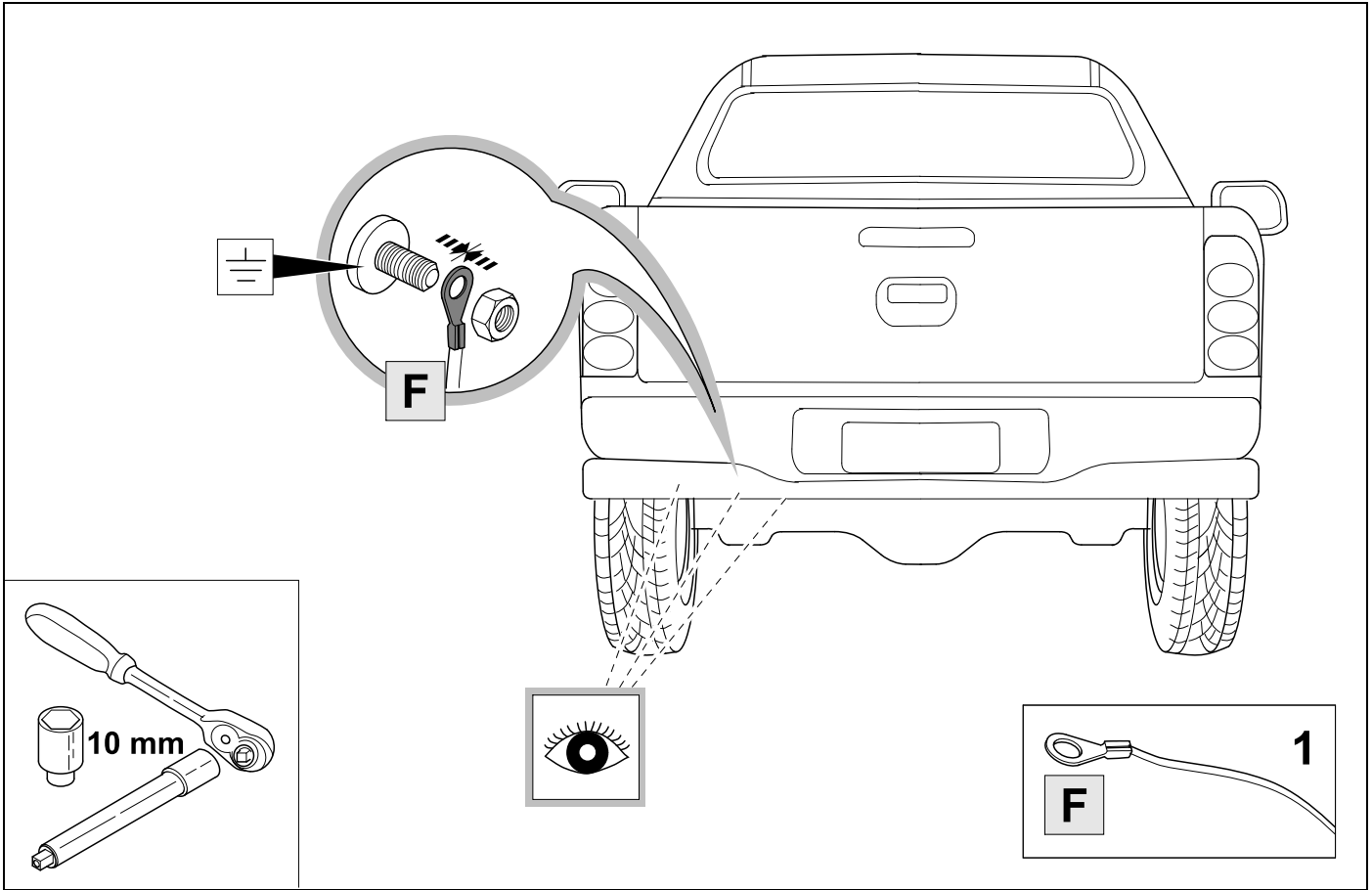
6



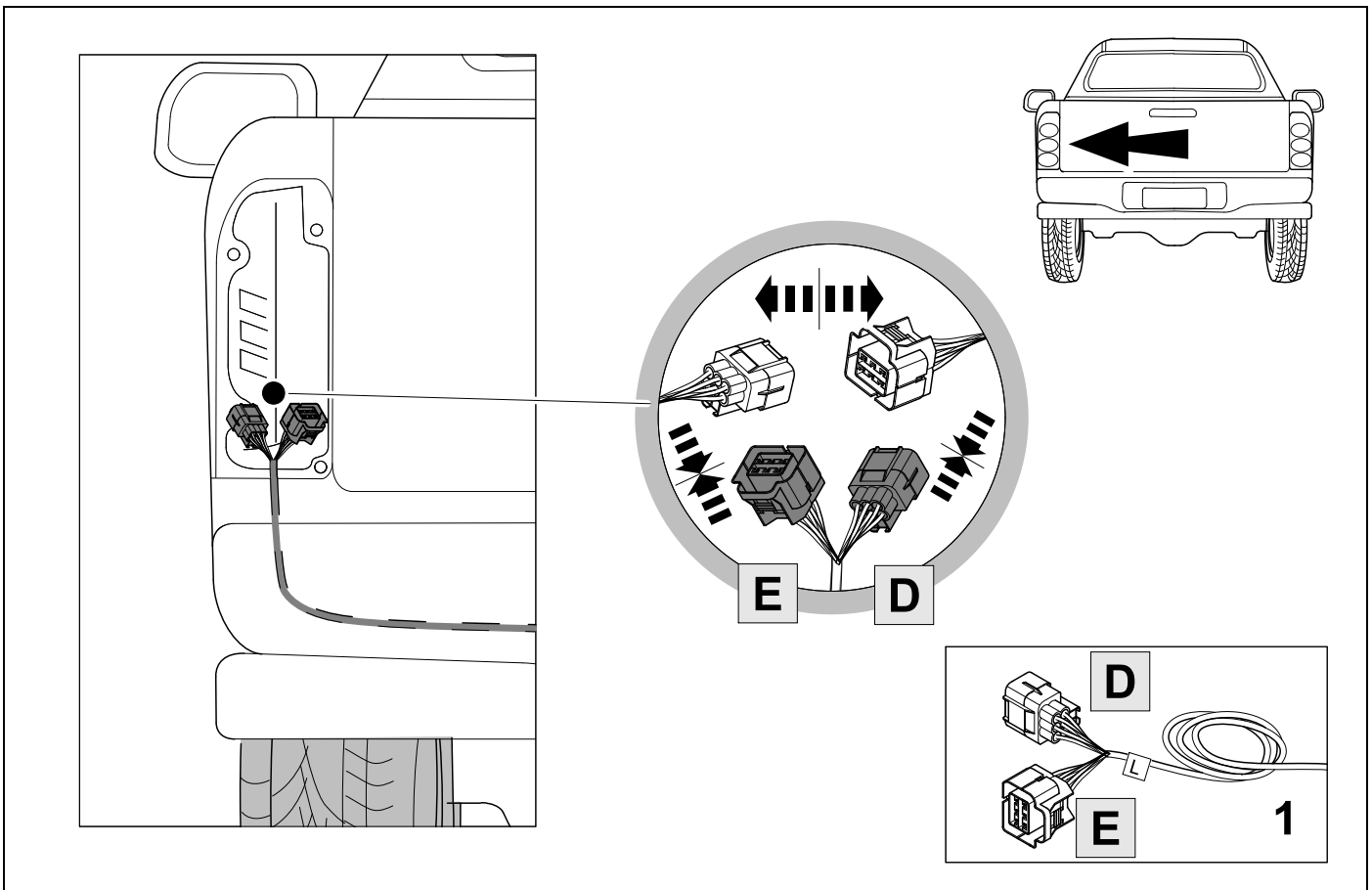
1	ye	←
2	bk	
3	wh	⏏
4	gn	→
5	bu	
6	rd	Stop
7	bn	

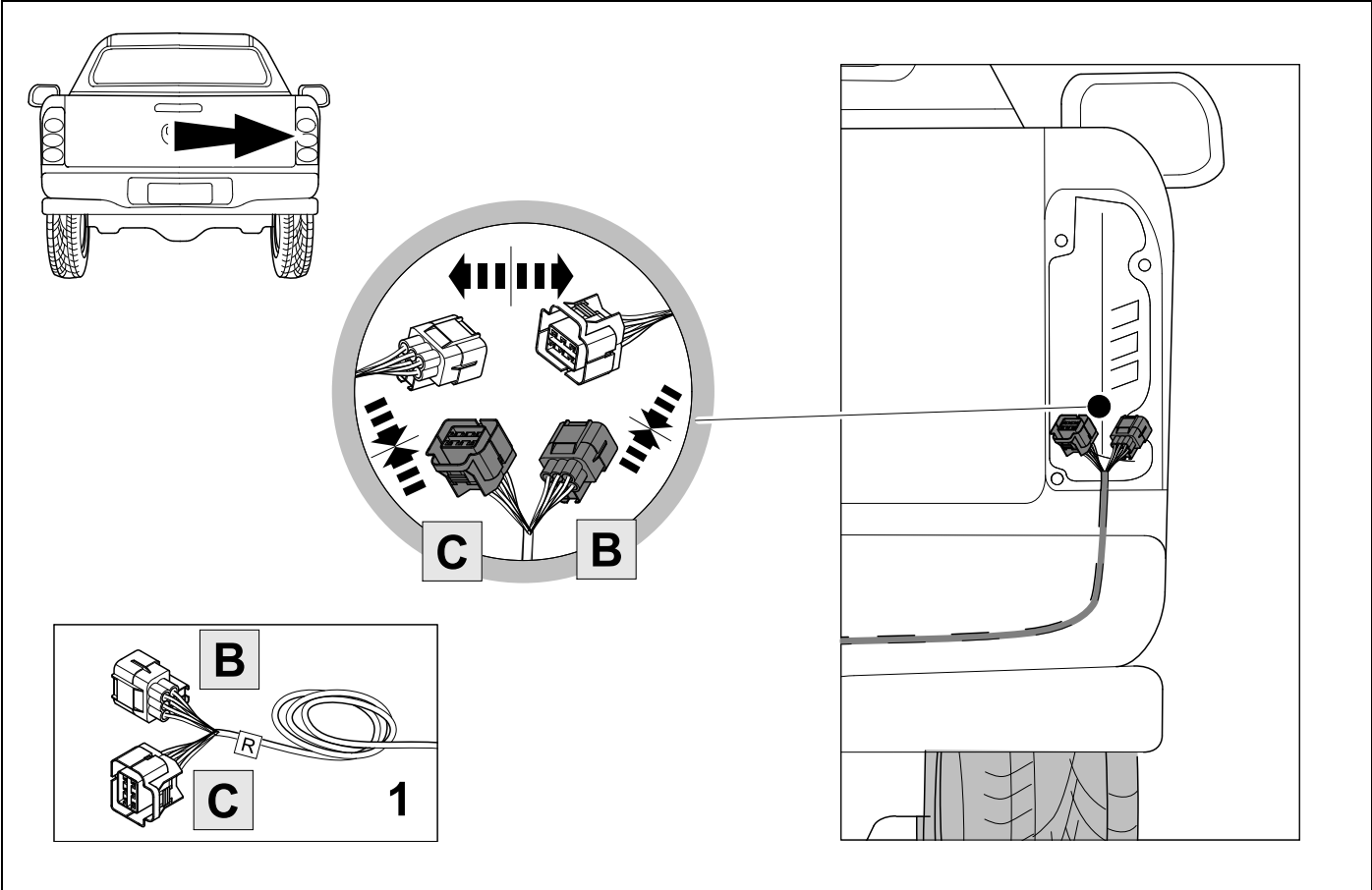
7	bk	wh	gy	gn	rd	bu	ye	bn	pu	or	no
	black	white	grey	green	red	blue	yellow	brown	purple	orange	not occupied

8

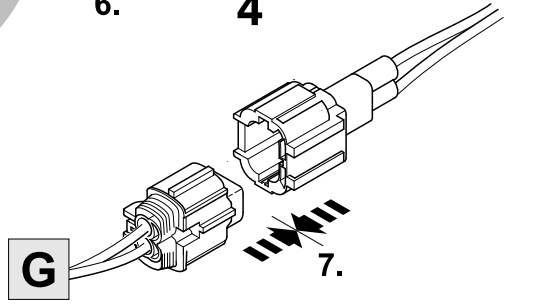
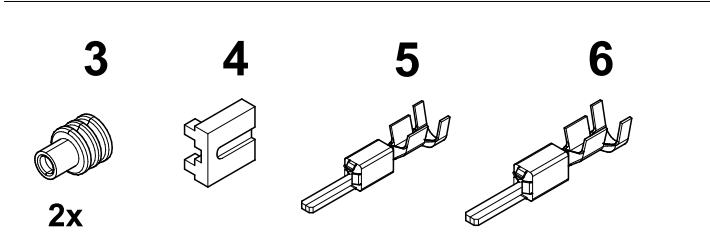
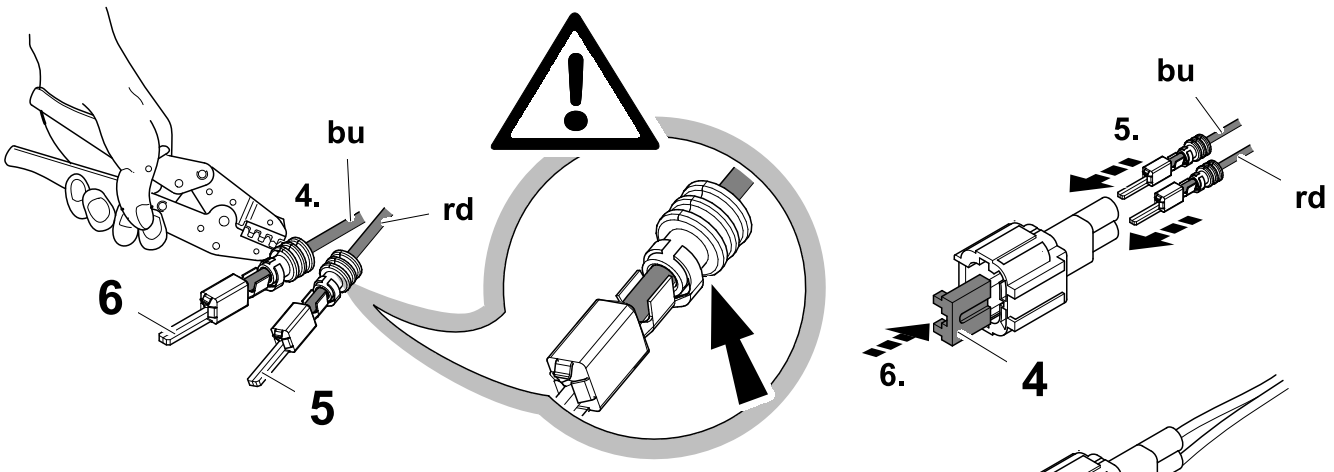
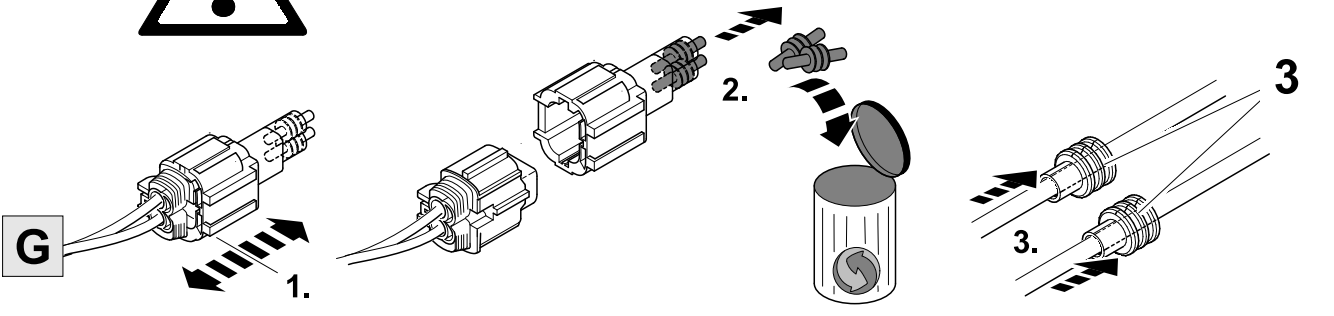


9

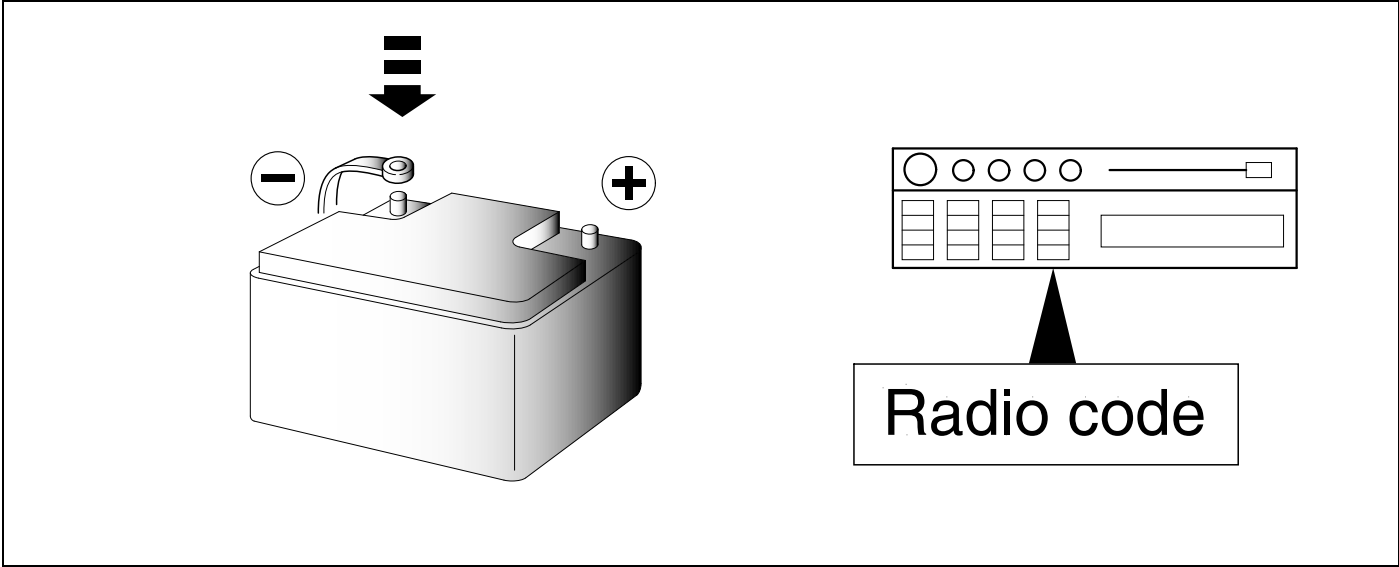




Trailer Brake Preparation

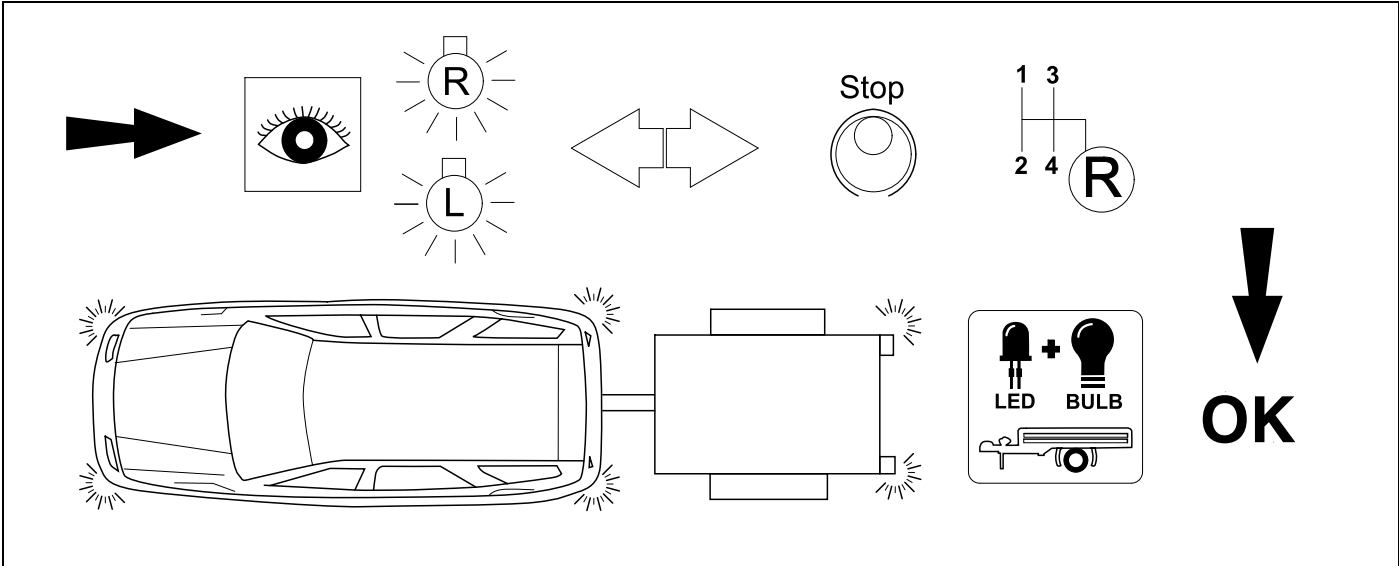


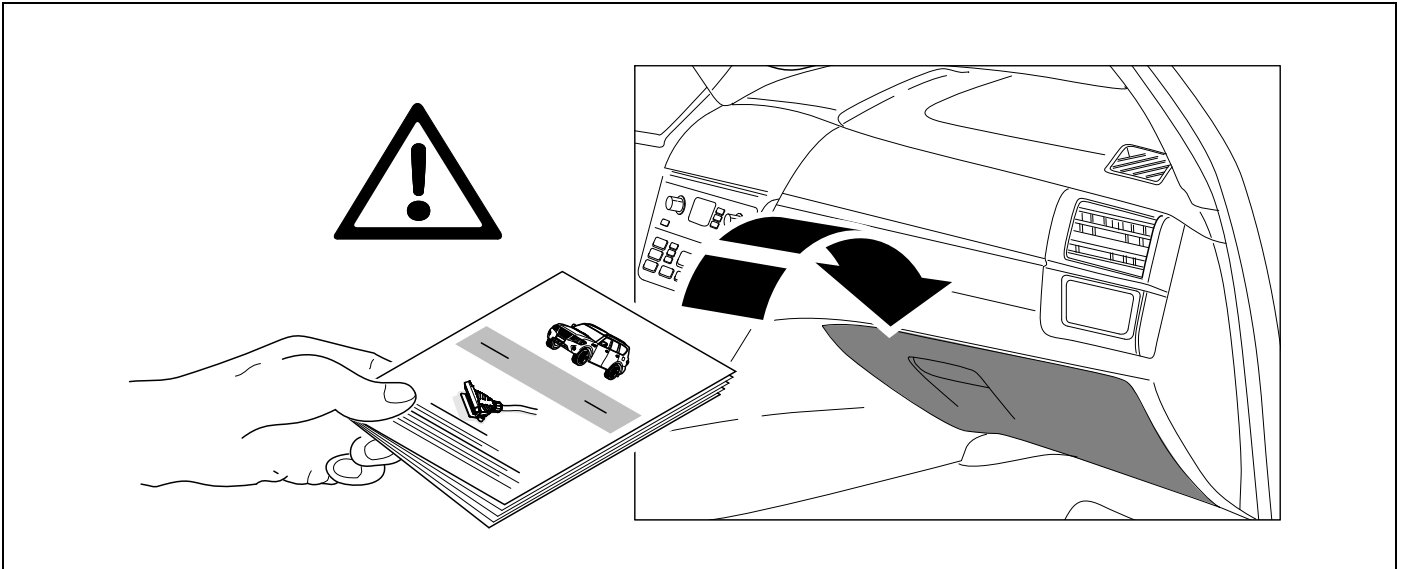
11



12

CHECK ALL LIGHTING FUNCTIONS





Subject to change in terms of construction, equipment and colour, and may contain errors.
The information and illustrations are non-binding.