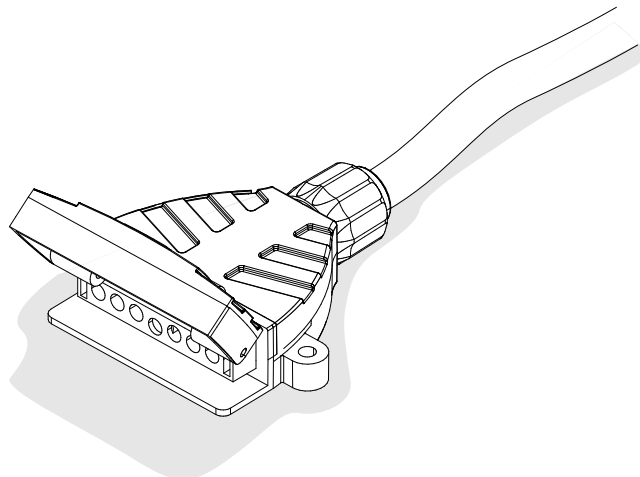


## FORD Ranger With trailer preparation

04/14 >> 07/15

### ITBL038



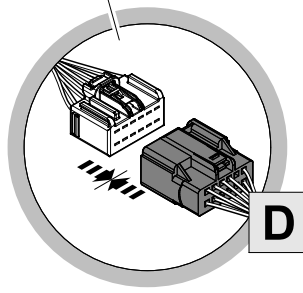
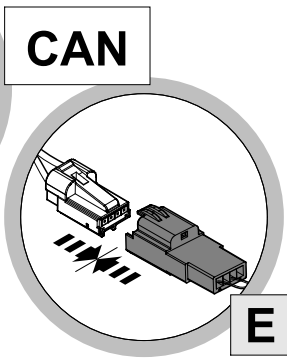
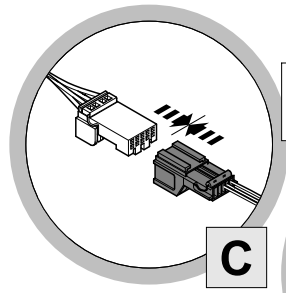
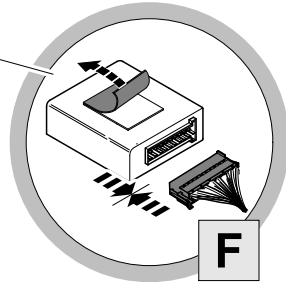
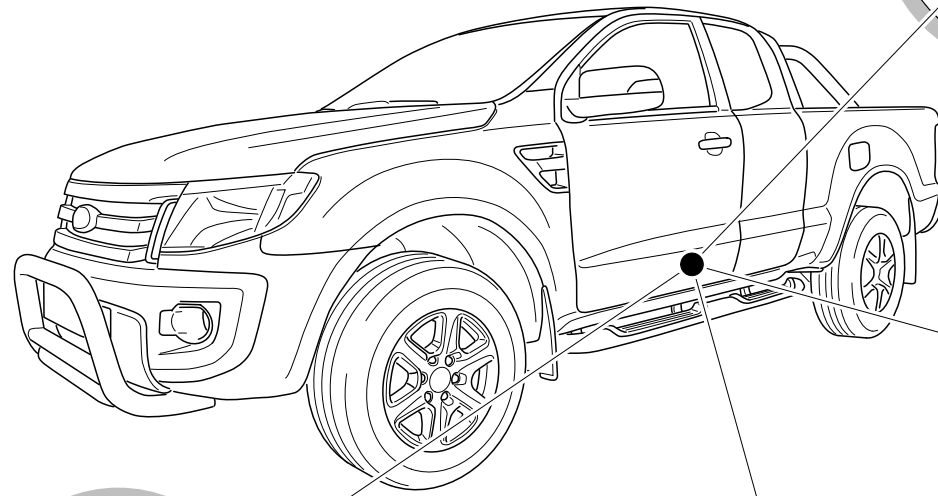
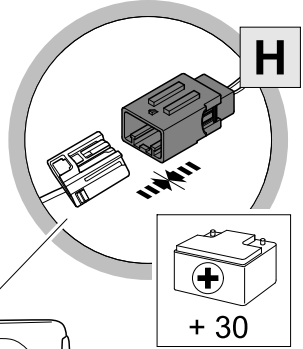
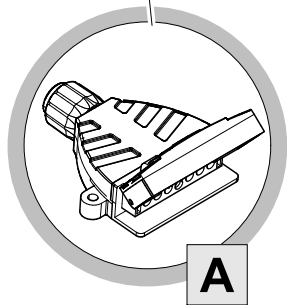
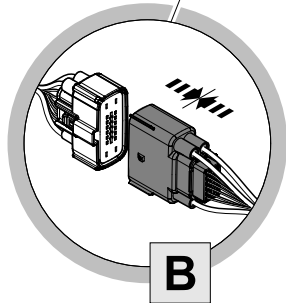
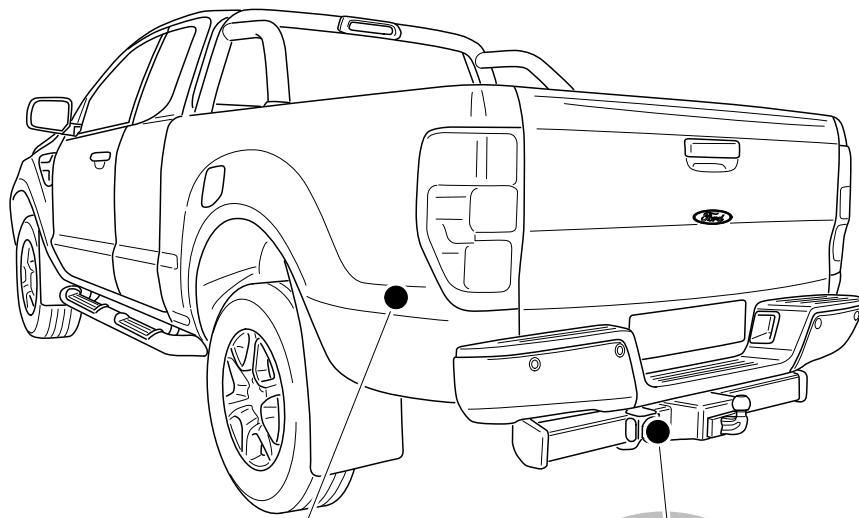
## Installation instructions

### Reference:

The following information must be reviewed before beginning the assembly:



The installation instructions are to be thoroughly read.  
The installation should be carried out by qualified personnel with the relevant technical knowledge.  
The vehicle manufacturers' current technical notices and information on retrofitting must be followed.  
The removal and replacement instructions found in the current repair manuals must be followed.  
It must be ensured that the vehicle is technically suitable for the installation of a trailer hitch.

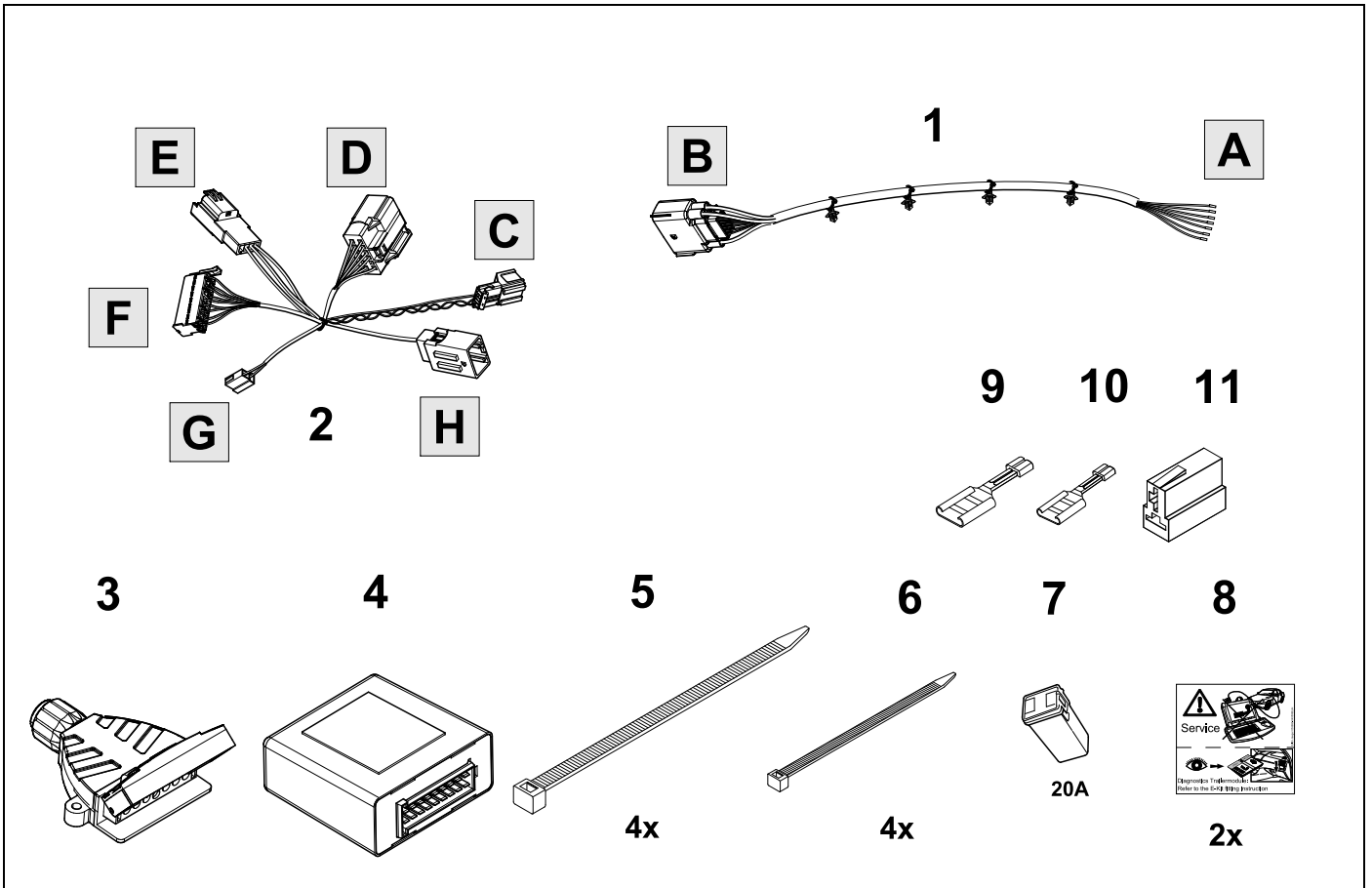


OPTION 1

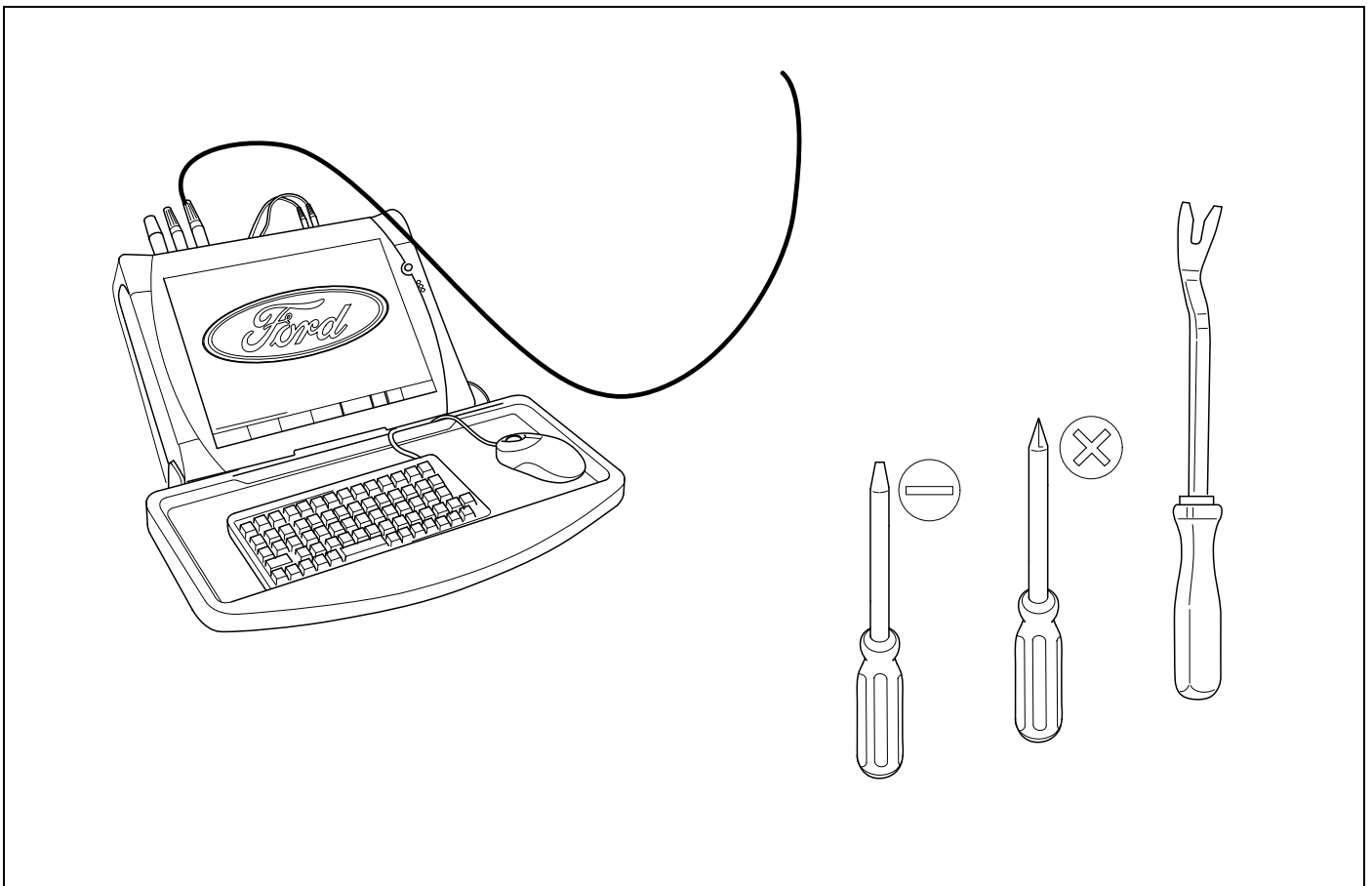
OPTION 2

CAN

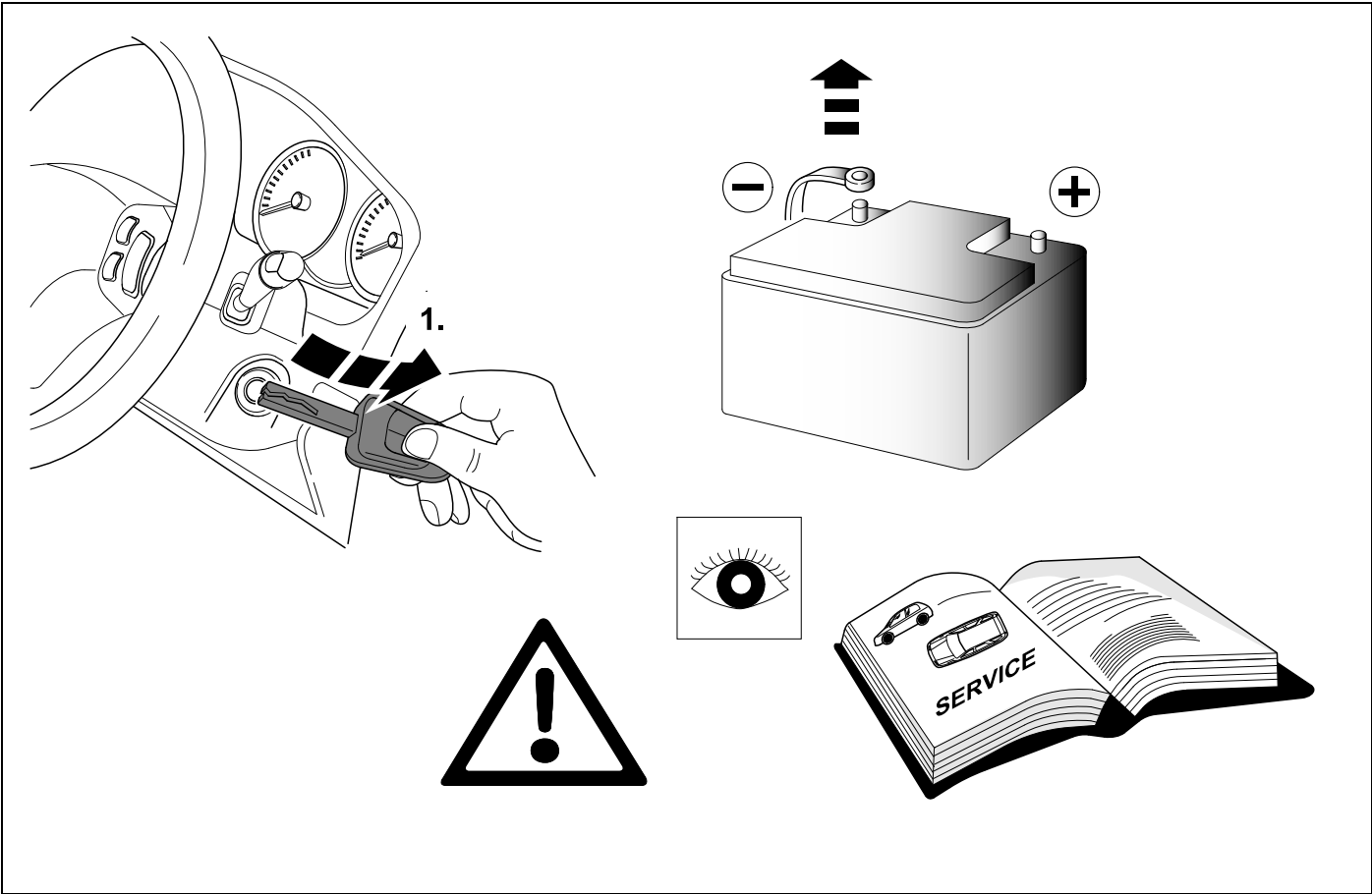
# KIT



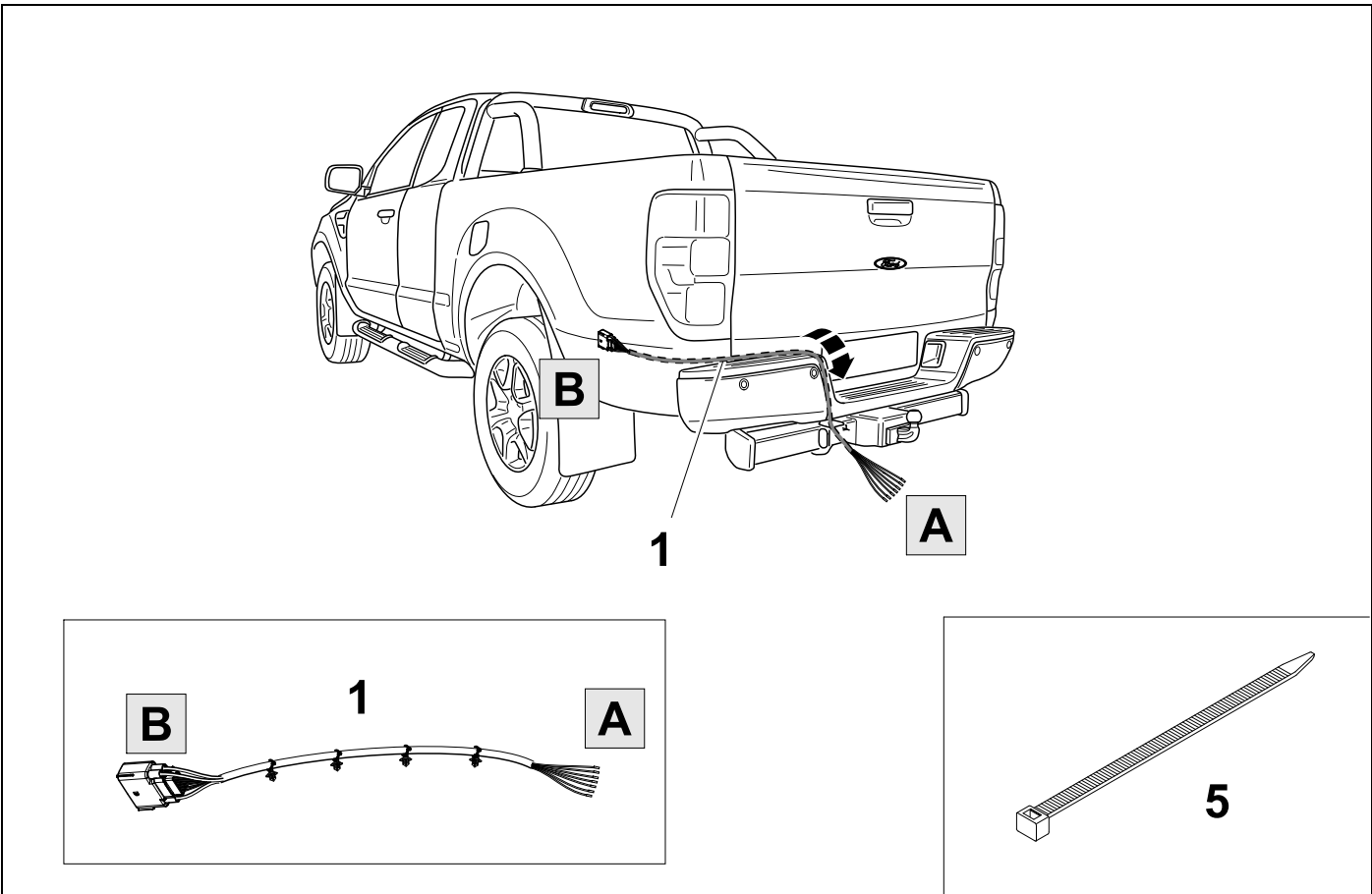
# TOOLS



1



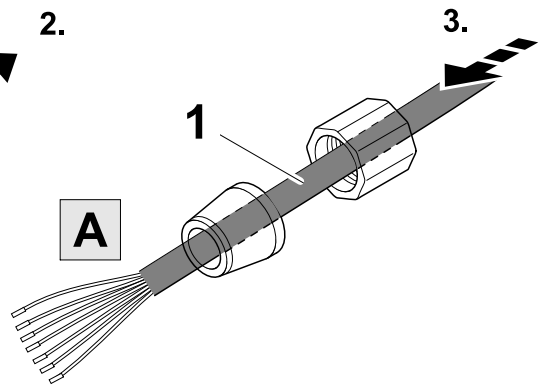
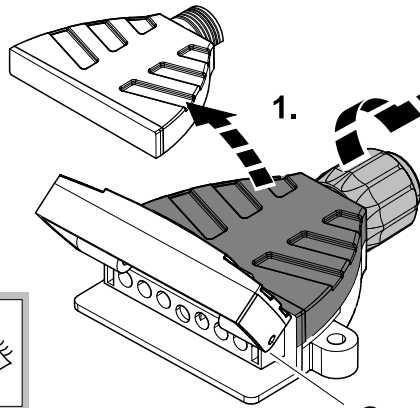
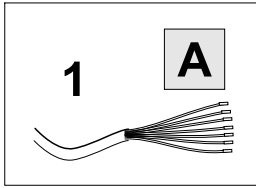
2



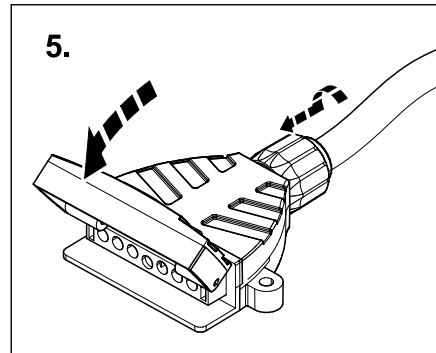
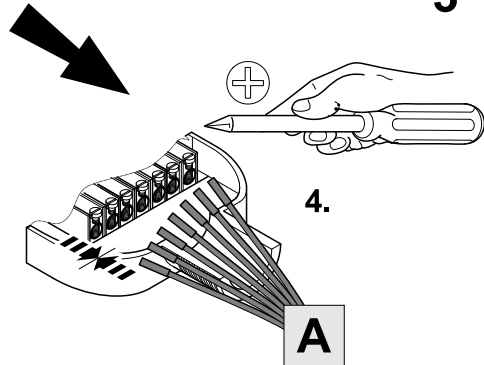
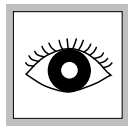
3



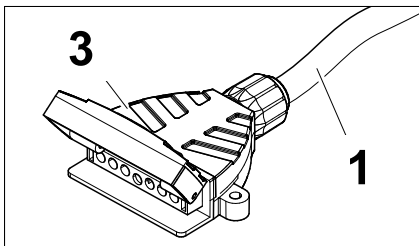
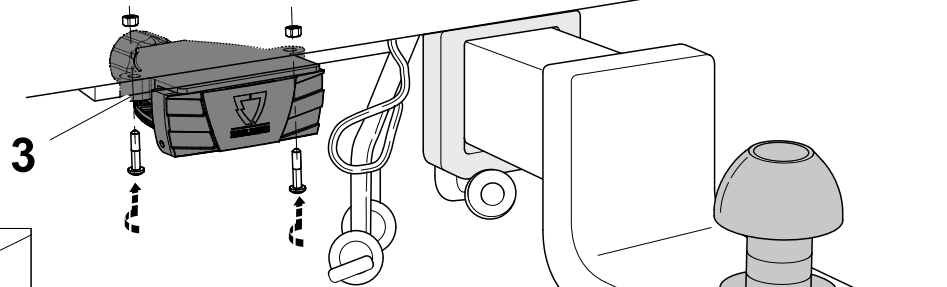
5



gn	4	
bn	7	
bk	2	
wh	3	
bu	5	
rd	6	
ye	1	



4



5



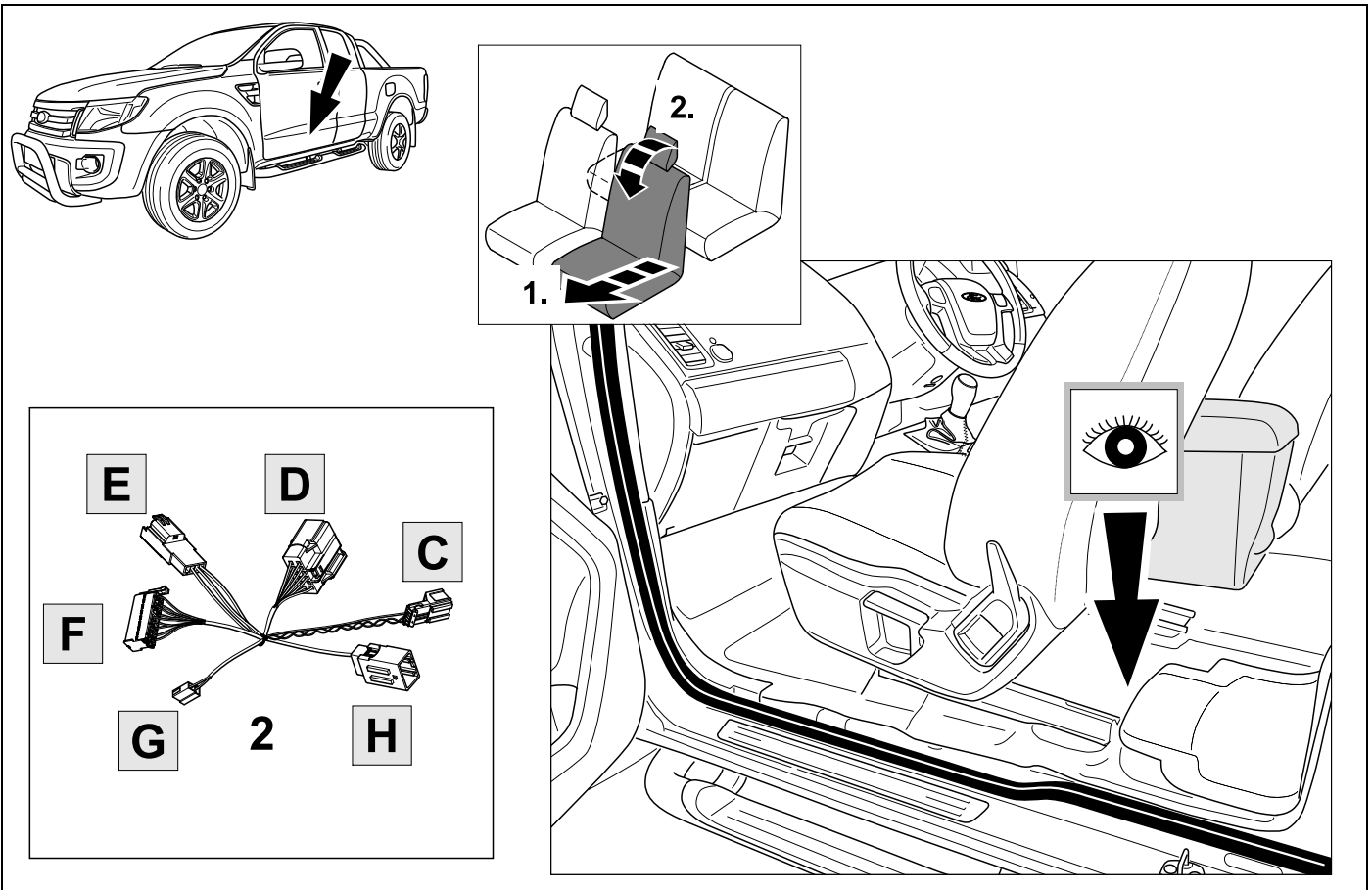
6

1	ye	
2	bk	
3	wh	
4	gn	
5	bu	
6	rd	
7	bn	

6 bk wh gy gn rd bu ye bn pu or no

	black	white	grey	green	red	blue	yellow	brown	purple	orange	not occupied
--	-------	-------	------	-------	-----	------	--------	-------	--------	--------	--------------

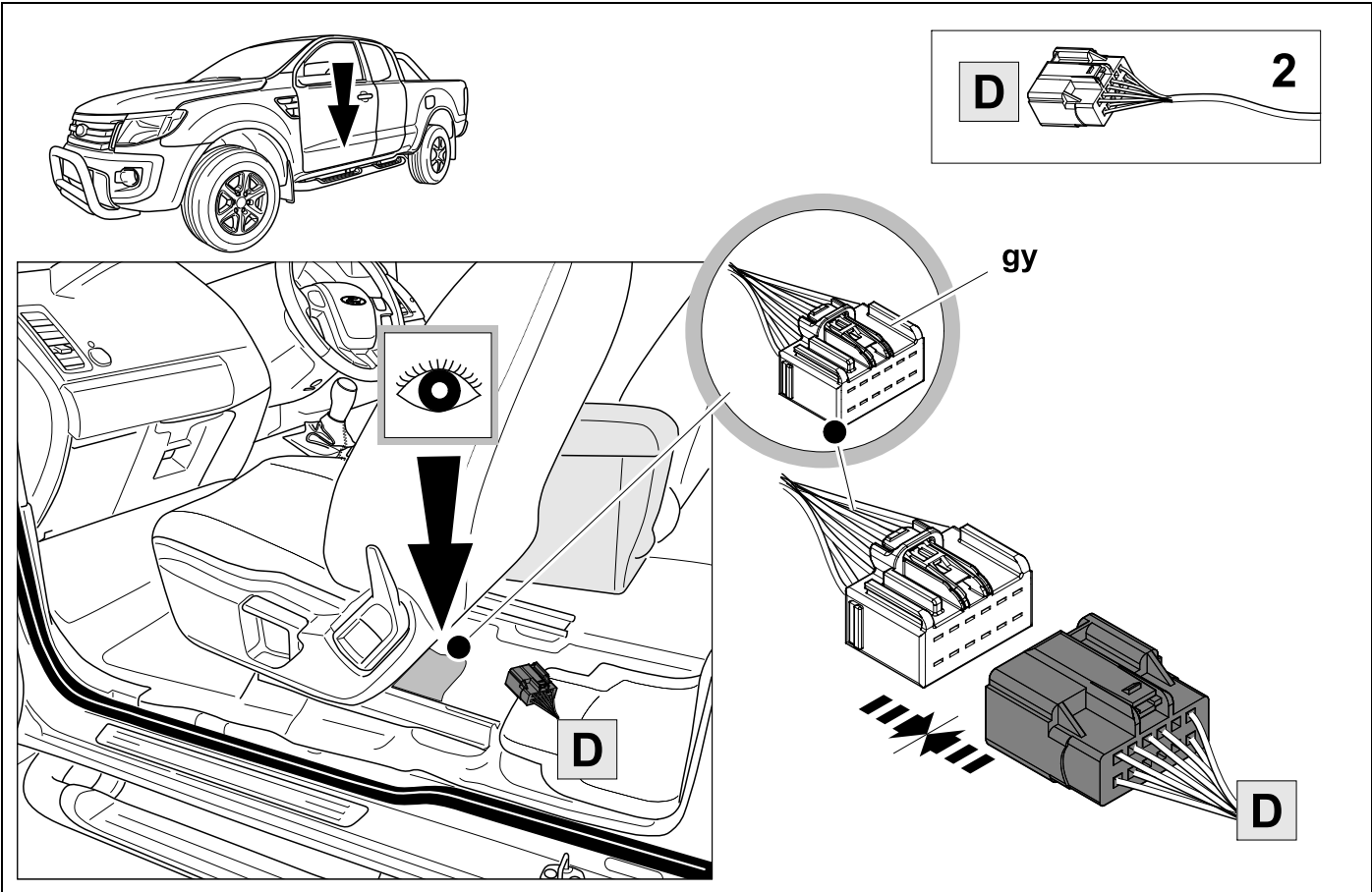
7



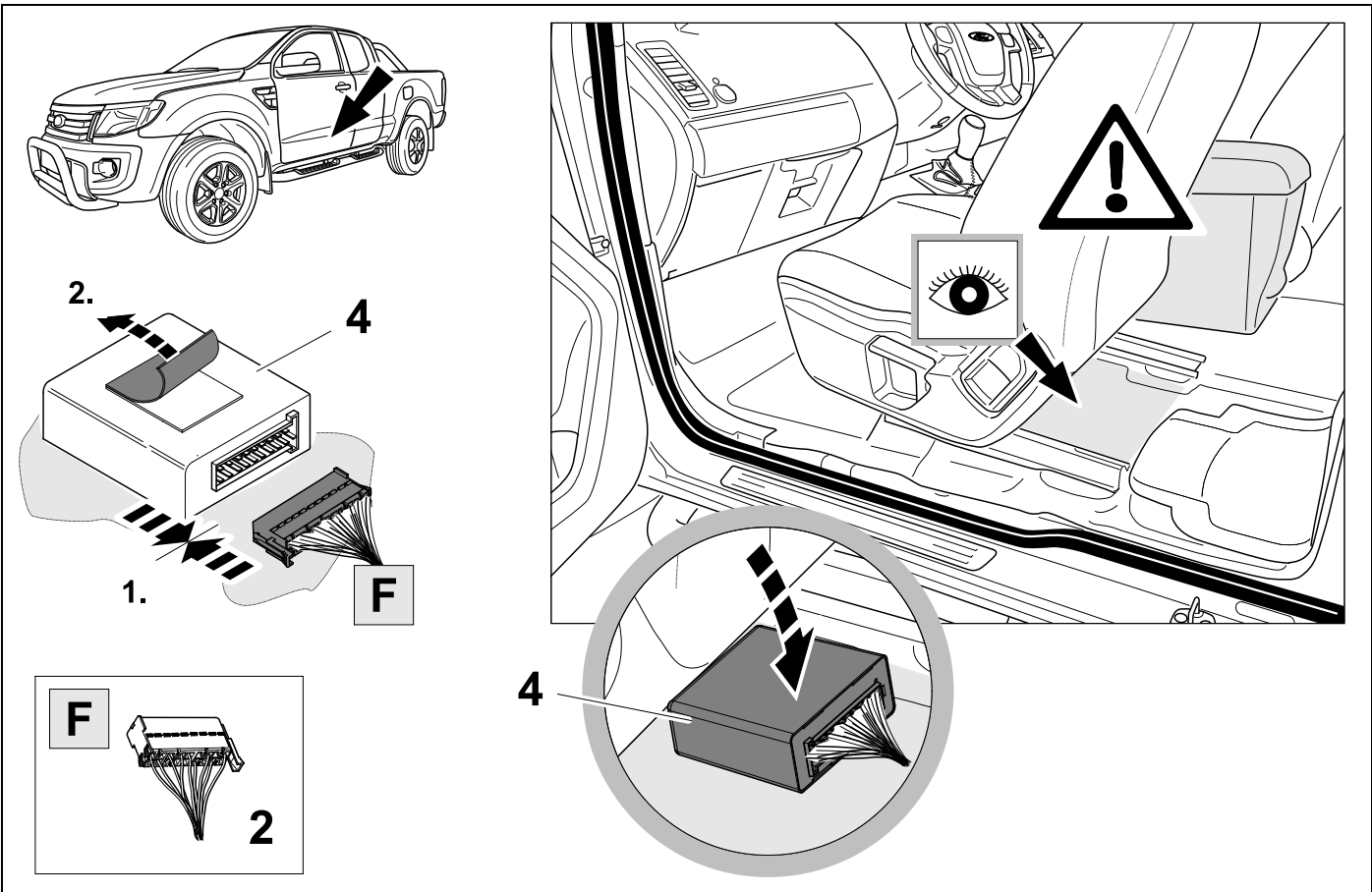
8



6



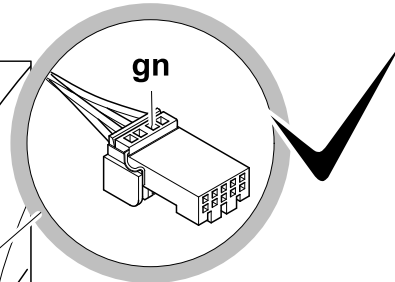
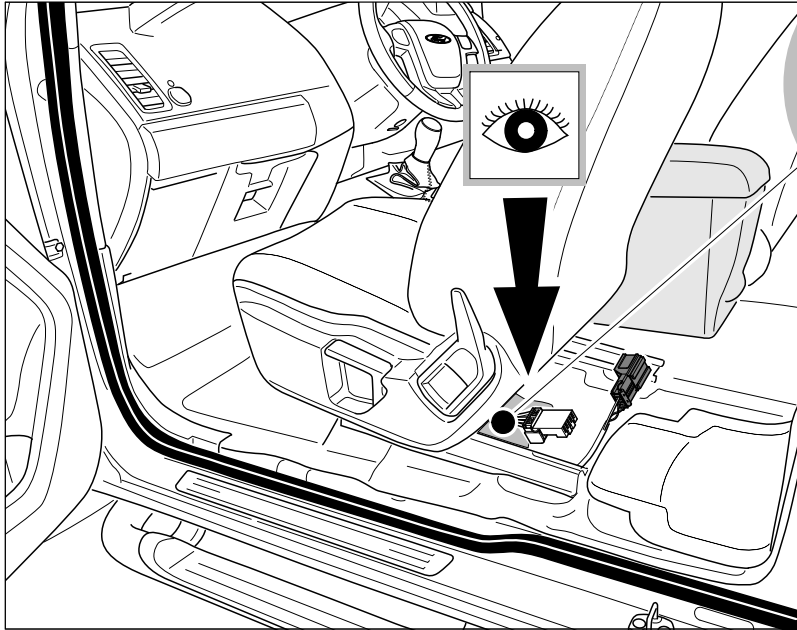
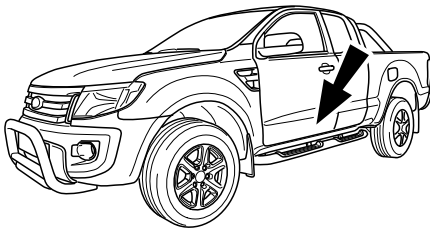
9



# 10 OPTION 1



6

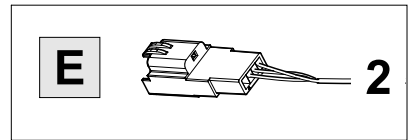
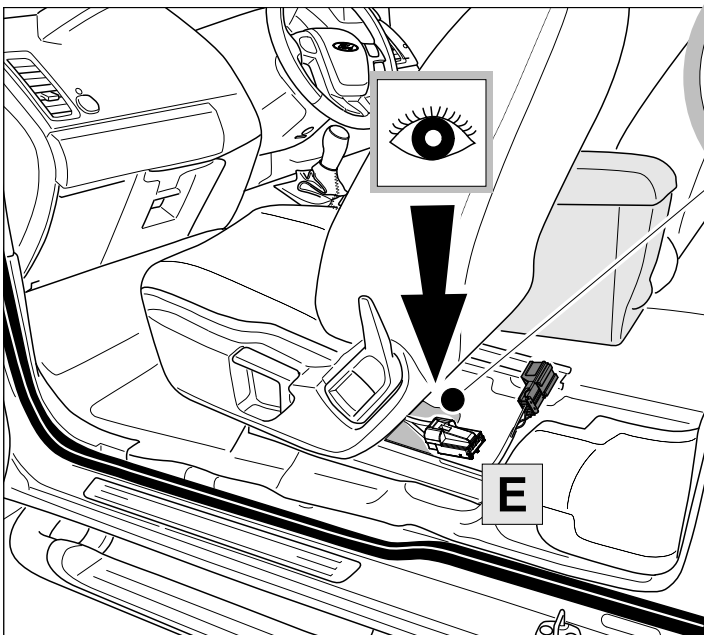
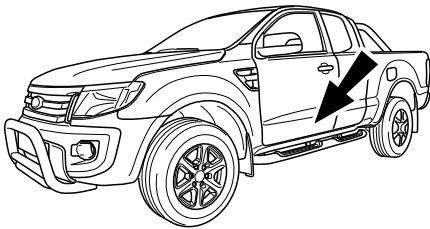


If the vehicle has a green CAN connector it is a model before model year 04/14 and therefore this kit is not suitable. Contact you supplier for a suitable kit.

# 11 OPTION 2

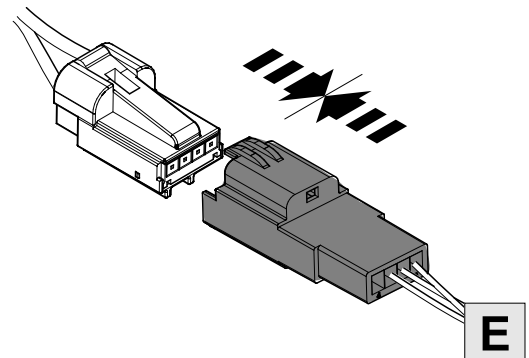


6



bk

CAN

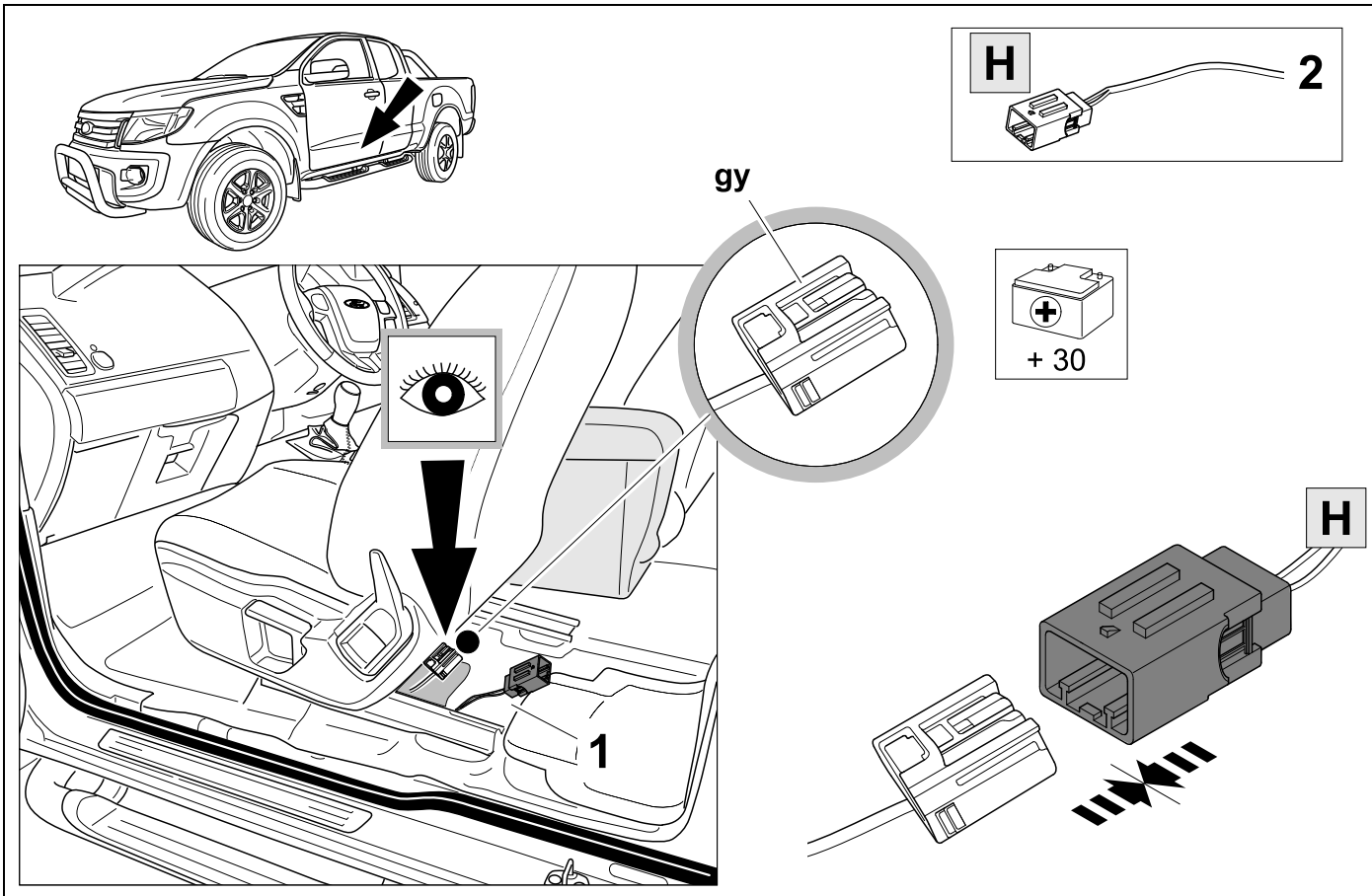




12



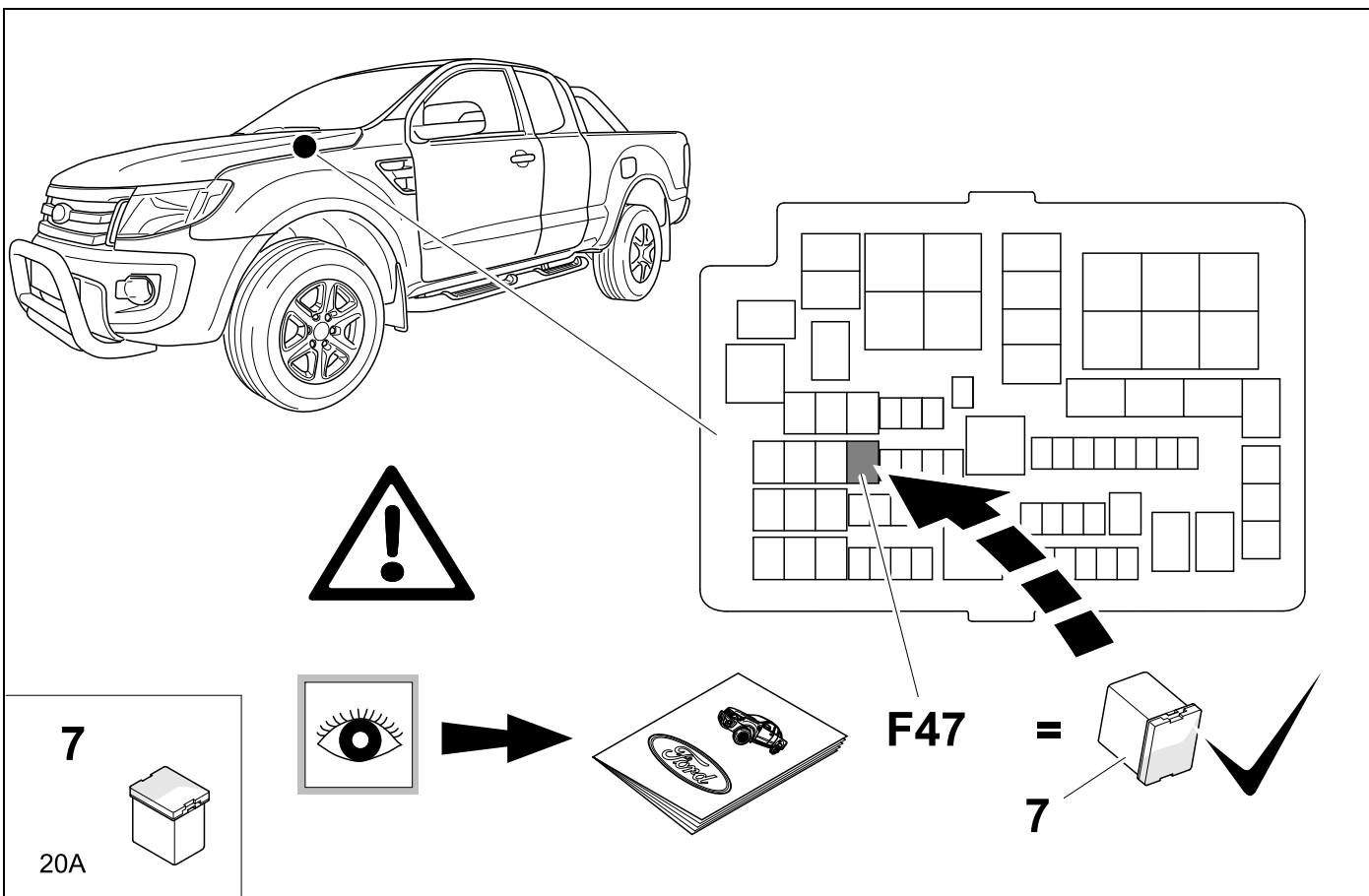
6



13



19

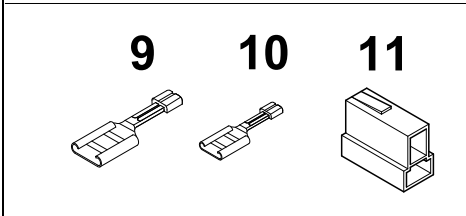
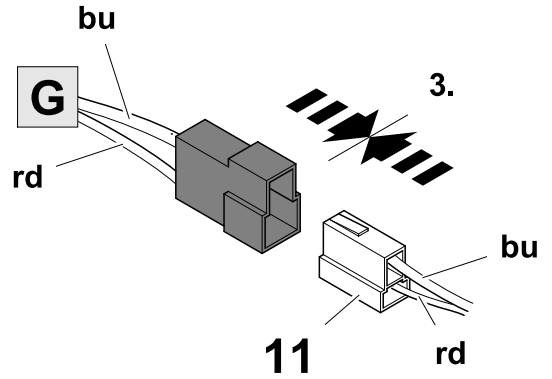
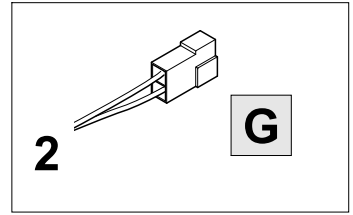
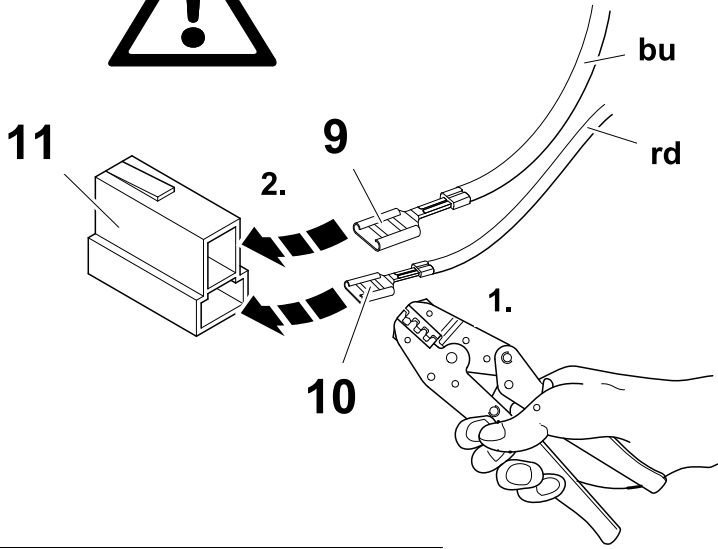


14 OPTIONAL

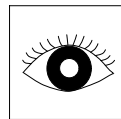
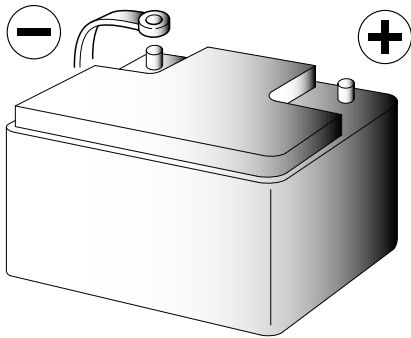


6

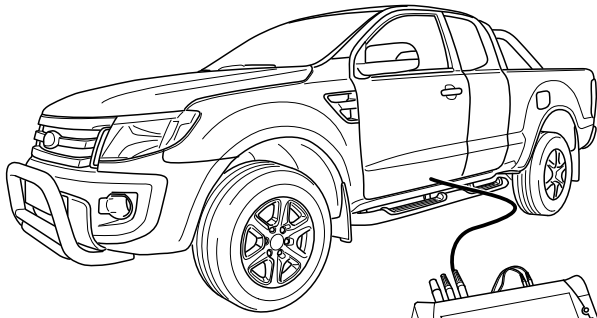
TRAILER BRAKE PREPARATION



15



16



**IDS**

**Parameter 19**

**Parameter 20**

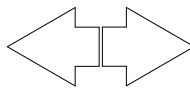
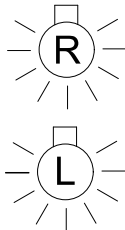
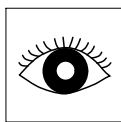
**Prarameter 76**

After installation of the kit, all trailer lighting will work without any additional coding. We recommend coding using the factory service tester at your next service interval. This unlocks further comfort features that are not critical.

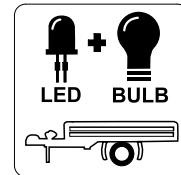
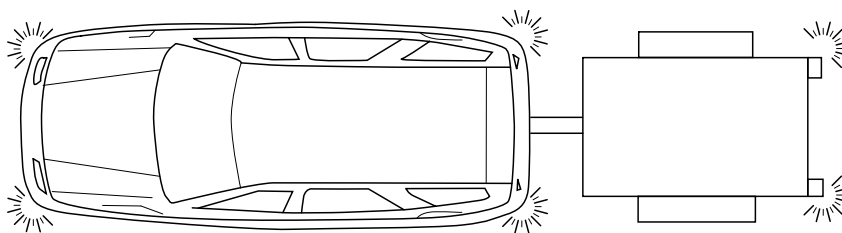
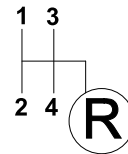


17

### CHECK ALL LIGHTING FUNCTIONS



Stop

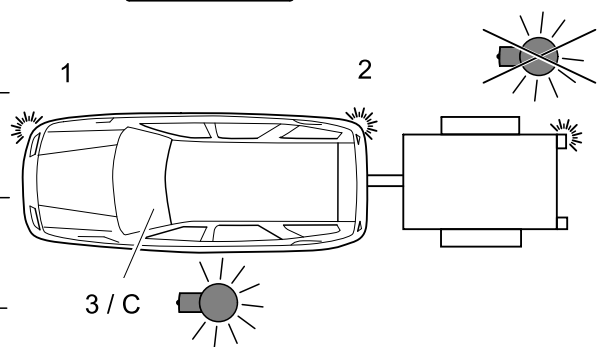
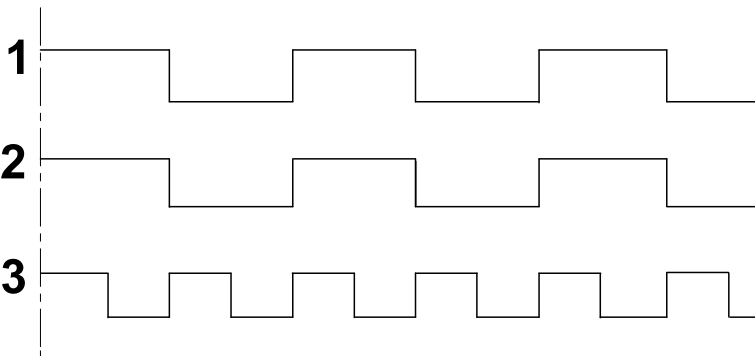


**OK**

18

### CHECK BULB OUT DETECTION

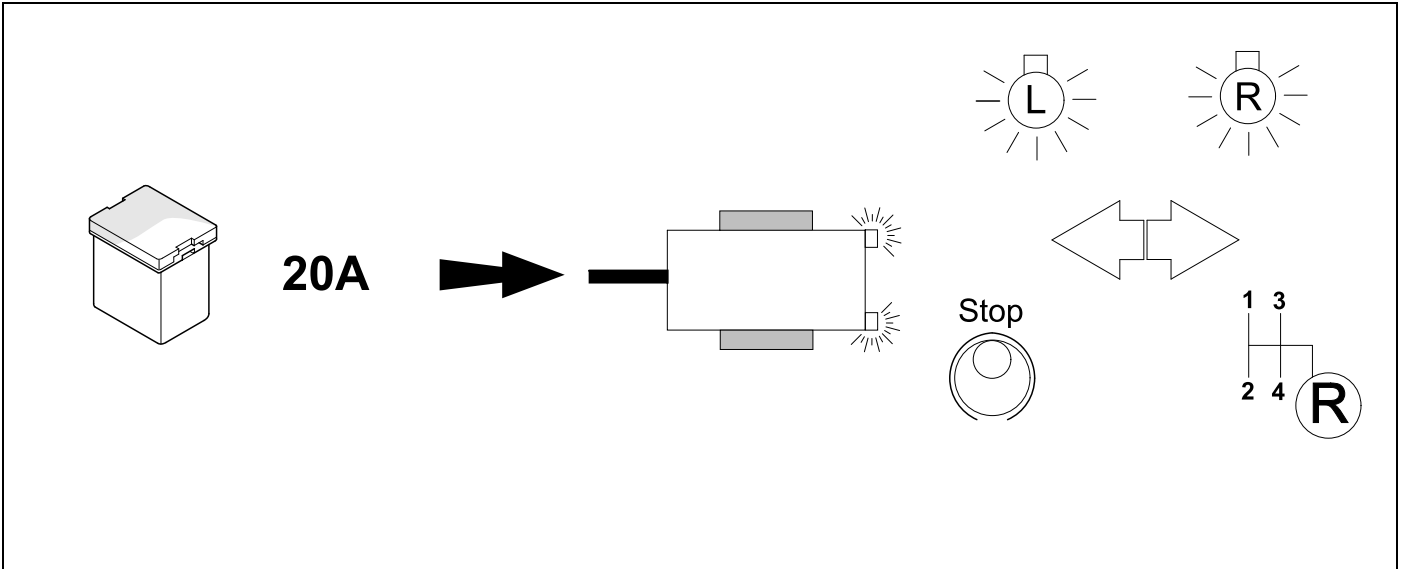
BULB OUT CONDITION INDICATED WITH INCREASED INDICATOR FREQUENCY



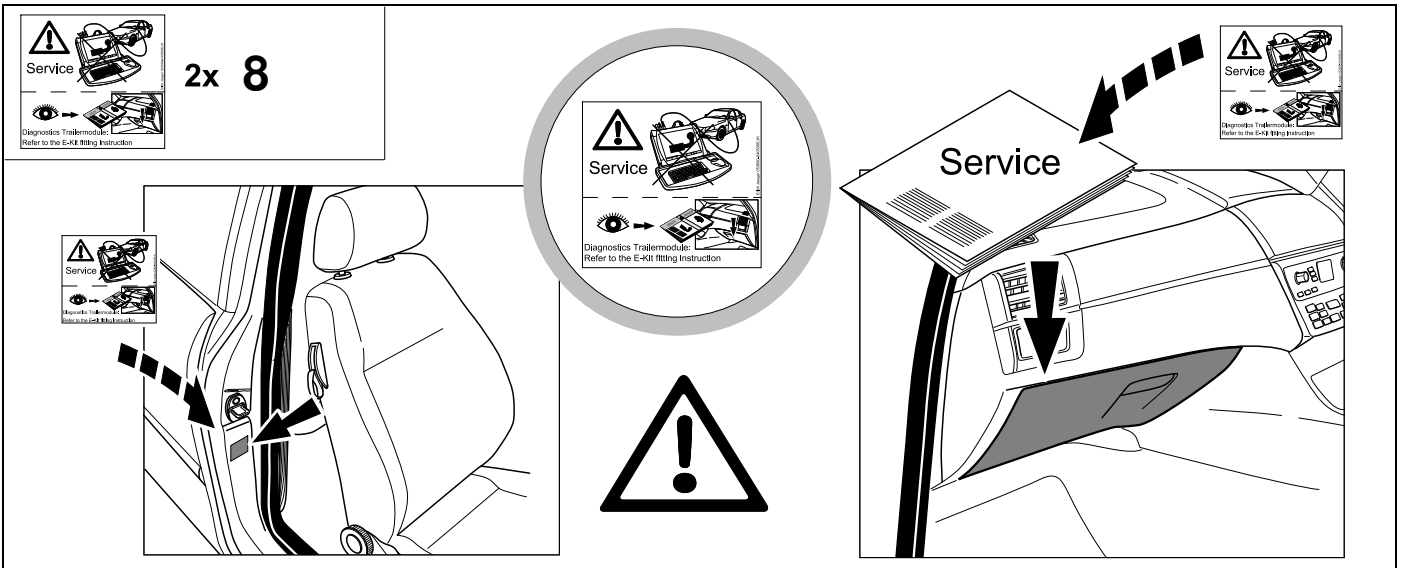
19



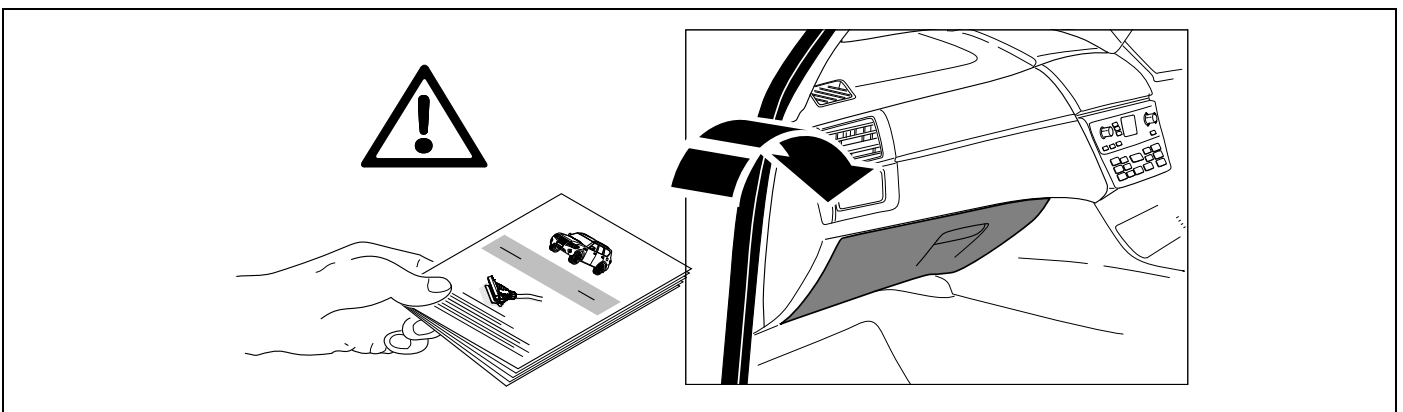
13



20



21



Subject to change in terms of construction, equipment and colour, and may contain errors.  
The information and illustrations are non-binding.