



**Jeep Wrangler JK**

**MY2007-2018**

**Predator bull bar**

### **IMPORTANT! – READ BEFORE INSTALLATION**

- When installed in accordance with these instructions, the front protection bar does not affect the operation of the vehicles SRS airbags.
- This product must be installed exactly as per these instructions using only hardware supplied.
- Take a few moments to read instructions thoroughly before beginning work.
- In the event of damage to any component please contact OFFROAD ANIMAL to arrange repair/replacement of components.
- Do not use this product for any vehicle make or model other than that specified on these instructions.
- Do not remove labels from this product.
- This product and its fixings must not be modified in any way unless stated in these fitting instructions.
- The installation of this product is recommended for trained personnel.
- These instructions are correct at time of publication. OFFROAD ANIMAL cannot be held responsible for the impact of any changes subsequently made by the vehicle manufacturer. If you find something has changed please contact us to let us know!
- During installation it is the duty of the installer to check correct operation/clearances of all components.
- If Instructions are to be printed for reference in the workshop, it is recommended that they are printed in colour, for best legibility.
- Estimated install time: 2 hours

# PARTS LISTING

**IMPORTANT:** Check all parts are present before beginning work! Contact OFFROAD ANIMAL if something is missing.

## Main Parts – In the Box

Qty	Part Number	Description	Image
1	FB-JWR-JK-07-PR-ASM1	JK Bull bar Predator weldment	
1	B-0106R	Fog light mount LH	
1	B-0106L	Fog light mount RH	
1	B-0107L	Jk wing brace LH	

1	B-0107R	JK wing brace RH	
1	M-0002L	Light Cover Mesh LH	
1	M-0002R	Light Cover Mesh RH	
1	<b>Optional part winch delete plate B-0110</b>	JK winch delete plate	
1	<b>Optional part Stealth hoop TB-COM- JK-ASM1</b>	Top tube JK stealth	

<p>1</p>	<p><b>OPTIONAL PART ROUND TOP TUBE</b> TB-COM- JK-RD- ASM1</p>	<p>JK ROUND TUBE 3 IN</p>	
<p>1</p>	<p><b>OPTIONAL PART SKID PLATE KIT</b> U-0004</p>	<p>JK skid plate</p>	
<p>2</p>	<p><b>OPTIONAL PART SKID PLATE KIT</b> NP-COM- M10-190- ASM0</p>	<p>M10 LOLLYPOP NUT PLATE 190MM LONG</p>	
<p>1</p>	<p><b>OPTIONAL PART SKID PLATE KIT</b> B-0109L</p>	<p>SKID PLATE MNT BRACKET LH</p>	
<p>1</p>	<p><b>OPTIONAL PART SKID PLATE KIT</b> B-0109R</p>	<p>SKID PLATE MNT BRACKET RH</p>	

**Small Parts – Contained in Small Parts Kit Bag**

Qty	Part Number	Description
8	M10 x 30	M10 x 30 Hex Bolt Z/p
8	M10 SW	M10 Spring Washer
8	M10 FW	M10 Flat Washer
8	M6x16 bhcs bz	M6 x 16 Button Head Cap screw black zinc
8	M6 FW bz	M6 Flat washer black zinc
8	M6 FN	M6 Flange nut
4	M8 FW BZ	M8 flat washer black zinc
4	M8 x 20 BHCS BZ	M8 x 20 button head cap screw black zinc
10	M8 FN	M8 Flange nut
6	M8 x 25	M8 x 25 Hex bolt zp
6	M8 FW	M8 Flat washer
8	M4 x 20 Pan	M4 x20 Pan head screw Philips
8	M4 FN	M4 flange nut
1	FB-JWR-JK-07-PR-ADRCP	ADR Compliance plate JK bar
1	ORA logo	Offroad animal logo plate

## Optional Small Parts kit for Skid Plate

Qty	Part Number	Description
4	M8 x 30 BHCS BZ	M8 x 30 Button Head Cap Screw Black Zinc
4	M8 FW BZ	M8 flat washer black zinc
2	M10 x 25 BHCS	M10 x 25 Button head cap screw ZP
4	M10 FW	M10 Flat washer
2	M10 FN	M10 Flange nut
2	M10 x 30	M10 x 30 hex bolt zp

## Small Parts kit for Winch delete Plate

Qty	Part Number	Description
4	M6 FN	M6 flange nut
4	M6 x 20 BHCS BZ	M6 x 20 Button head cap screw black zinc
4	M6 FW BZ	M6 flat washer black zinc

## Small Parts kit for Stealth Top Tube

Qty	Part Number	Description
2	M10 FW	M10 Flat washer
2	M10 x 30	M10 x 30 Hex bolt zinc plate
2	M10 NY	M10 Nyloc Nut
2	M10 SW	M10 spring washer

## Small Parts kit for Round Top Tube

Qty	Part Number	Description
2	M12 FW	M12 Flat washer
2	M12 x 30	M12 x 30 Hex bolt zinc plate
2	M12 SW	M12 Spring washer

## TOOLS REQUIRED

The following tools will be required to install the product.

Hand Tools	Power Tools	Workshop Equipment
Allan keys 4,5,6mm Spanners 10mm + 13mm + 15mm + 16mm + 17mm + 18mm Phillips head screw driver Trim tool, or flat head screw driver	Angle grinder (depending on winch)	Black paint

## GENERAL WARNINGS

No warnings for this product



1. Start by removing screws behind fog lights

**TOOLS REQUIRED**

**Phillips head screw driver**

**FASTENERS**

discard



2. Unplug loom for fog lights

**TOOLS REQUIRED**

**FASTENERS**





3. In front of grill remove 2 clips with trim tool or flat screw driver

**TOOLS REQUIRED**

**Trim tool, or flat head screw driver**

**FASTENERS**

Discard fasteners



- 4. Behind bumper at edges you will need to pry up piece shown

**TOOLS REQUIRED**

Trim tool, or flat head screw driver

**FASTENERS**



5. Remove panel shown, but tilting it up and angling it out

**TOOLS REQUIRED**

**FASTENERS**





6. Remove 8 x M10 nuts holding bumper on to chassis

**TOOLS REQUIRED**

**16mm socket and spanner**

**FASTENERS**

discard



- 7. Pull bumper away from chassis and pry off loom retaining clips with multigrips or screw driver

**TOOLS REQUIRED**  
Trim tool, or flat head screw driver  
Or Multi grips

**FASTENERS**



8. Here is what your front end will look like with bumper removed

**TOOLS REQUIRED**

**FASTENERS**

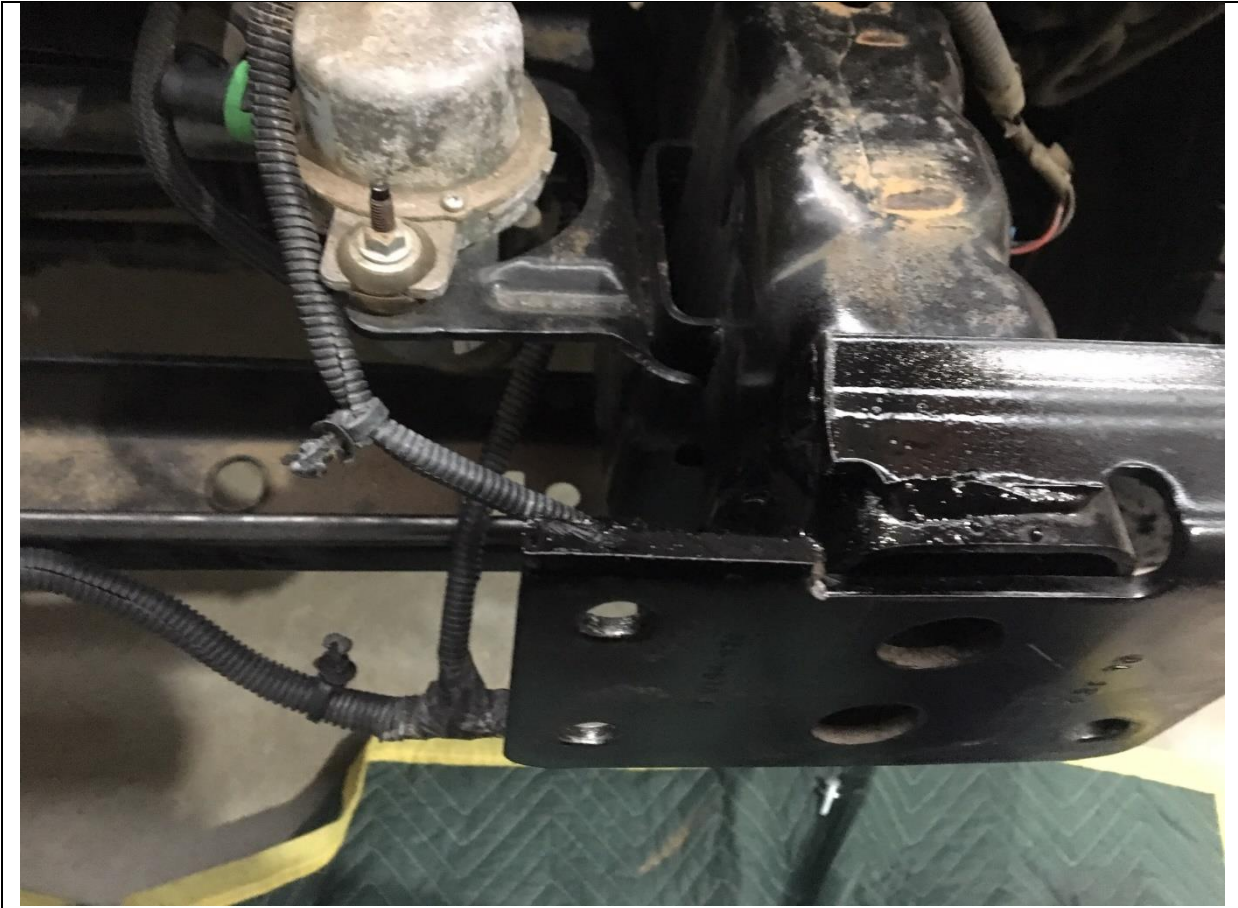




9. Depending on winch fitting you may need to trim part of chassis shown. Best is to test fit bull bar then drop winch in place and see if it contacts chassis, if so mark chassis with paint pen and cut with angle grinder.
10. Remember to paint exposed cut edges. If winch clears chassis skip this and next step

**TOOLS REQUIRED**  
Paint pen, + angle grinder

**FASTENERS**



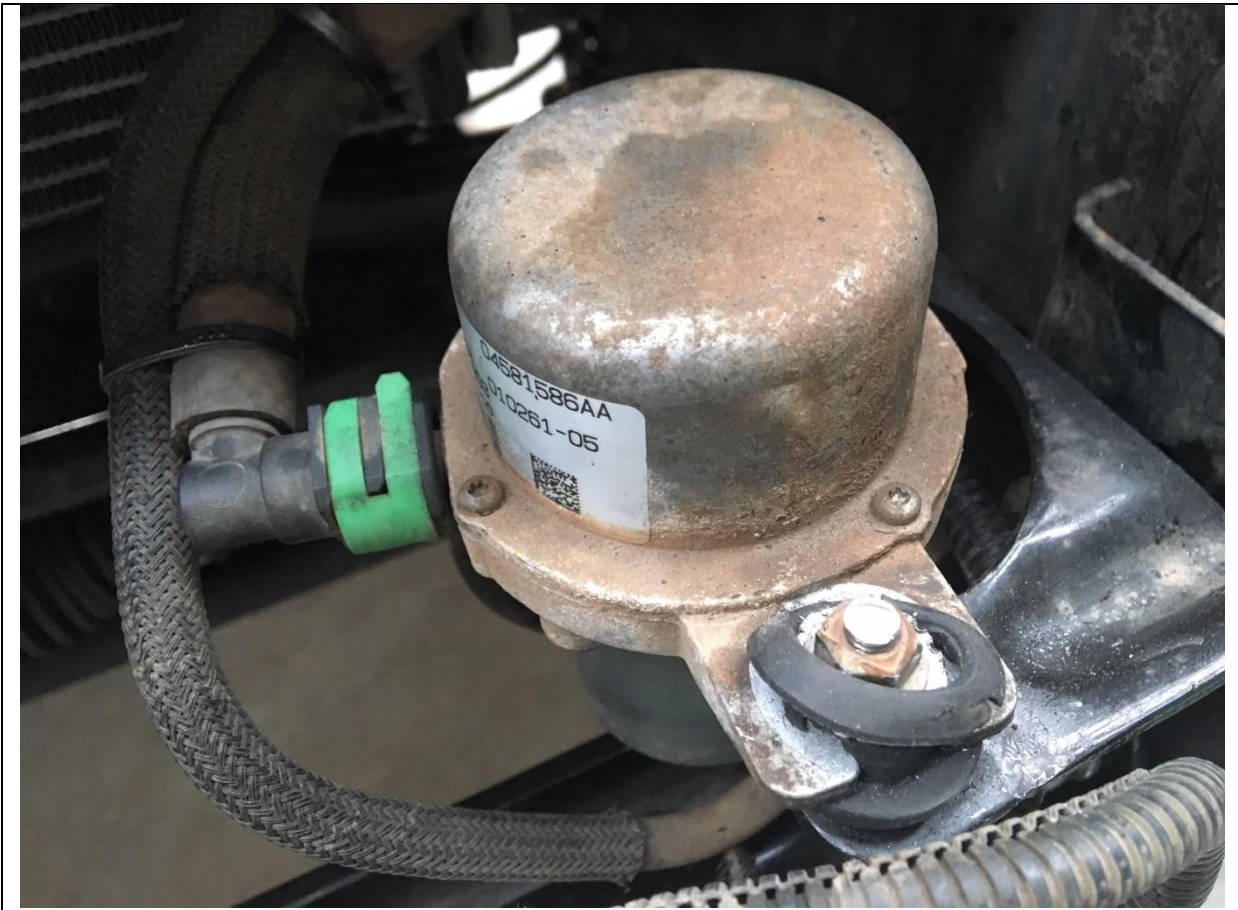
11. If cutting chassis don't forget to paint exposed edges

**TOOLS REQUIRED**

**Black Paint**

**FASTENERS**

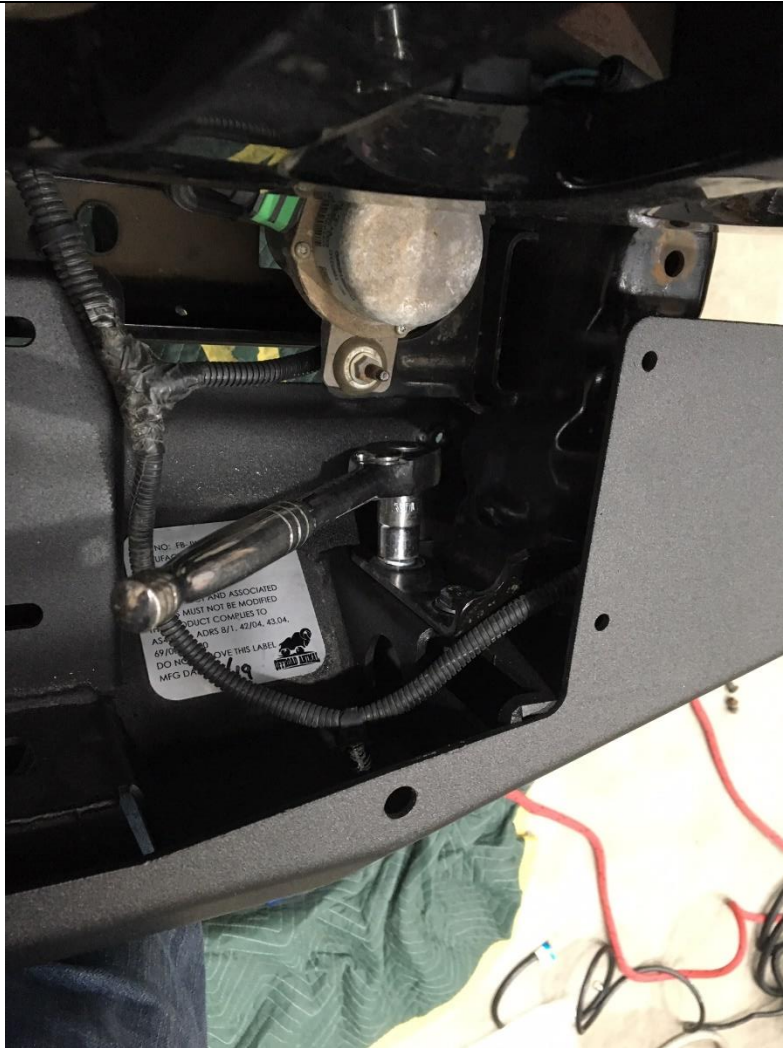




12. Also so winches will require the thread on the Vacuum pump bolt to be trimmed. Drop winch on and see if it contacts this thread (most winches will not touch) If so trim with angle grinder.

**TOOLS REQUIRED**  
**Angle Grinder**

**FASTENERS**



13. Put bull bar on to vehicle and use M10 x 30 bolts, spring washers and flat washers to secure to vehicle

**TOOLS REQUIRED**

**16mm Spanner and or Socket**

**FASTENERS**

M10 x 30 (4)  
M10 SW (4)  
M10 FW (4)



14. Re fit horn to original location and use M10 bolts as per LHS. If fitting a winch push the horn down as far as possible with your hand bending its bracket

**TOOLS REQUIRED**  
16mm Spanner and or Socket

**FASTENERS**

M10 x 30 (4)  
M10 SW (4)  
M10 FW (4)



15. If fitting factory fog lights, do so now to supplied brackets with M4 hardware as shown

**TOOLS REQUIRED**  
Phillips head screw driver

**FASTENERS**  
M4 x 20 PH (8)  
M4 FN (8)





16. Next fit fog light bracket to mesh panel and secure with 1 M8 bolt washer and flange nut on the top. The front will be secured through bar in next step

**TOOLS REQUIRED**

**13mm socket or spanner**

**FASTENERS**

M8 x 25 (2)  
M8 FW (2)  
M8 FN (2)

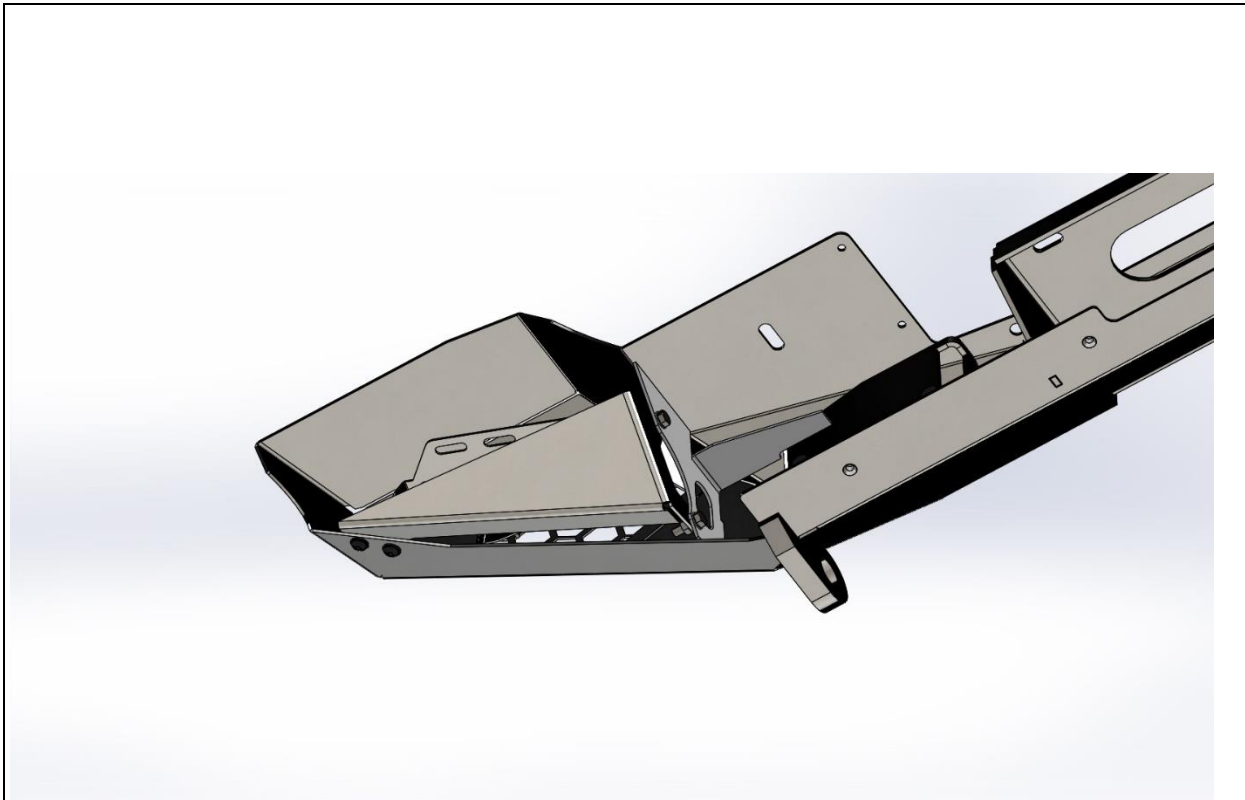


- 17. Position light and mesh up to bar from behind and secure with M6 BHCS washers and flange nuts
- 18. Repeat for other side

**TOOLS REQUIRED**

**4mm Allen Key**

**FASTENERS**  
**M6 x 16 BHCS BZ (8)**  
**M6 FW BZ (8)**  
**M6 FN (8)**



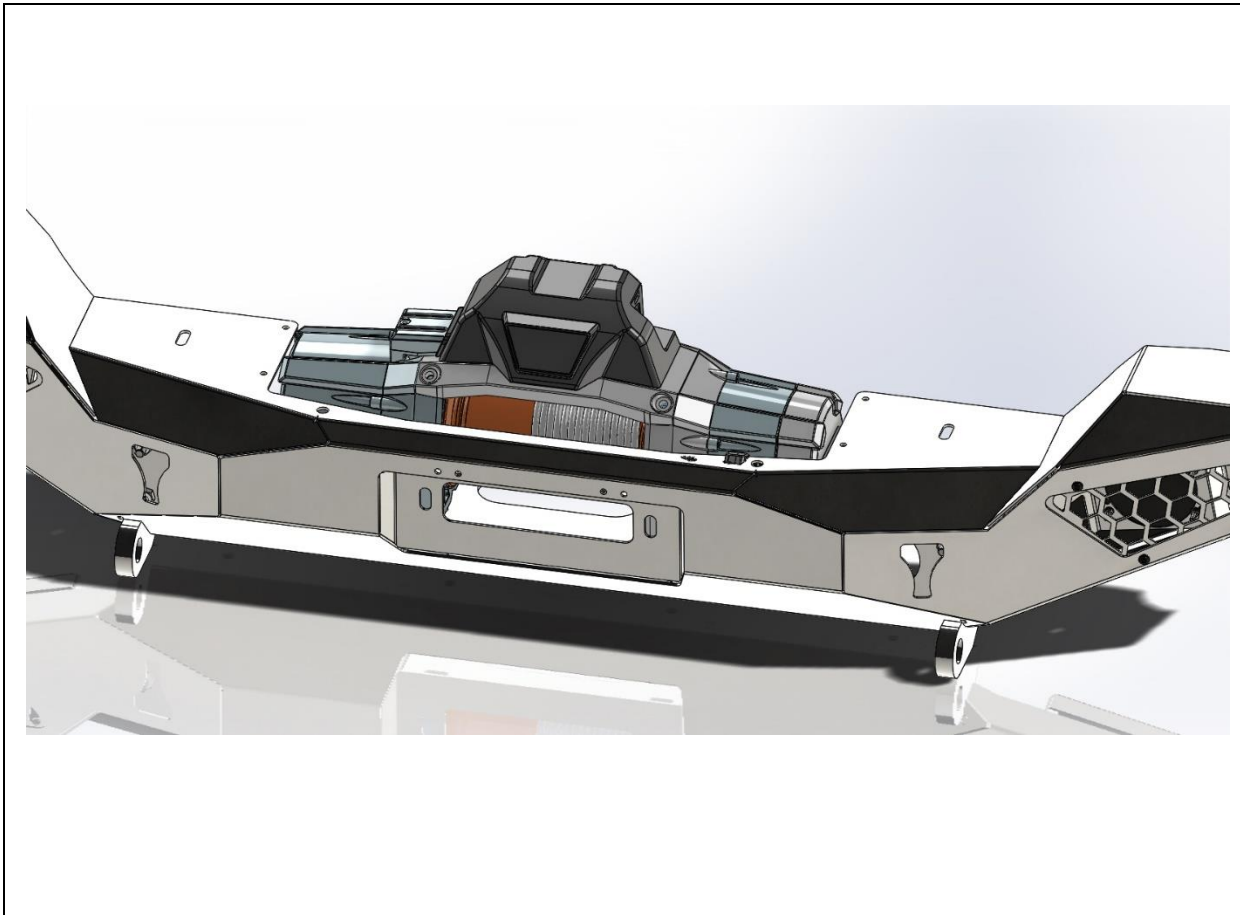
- 19. Position wing brace as shown, and secure with M8 bhcs through bottom, and hex bolts through sides
- 20. Repeat for other side

**TOOLS REQUIRED**

- 5mm Allen Key**
- 13mm Spanner**

**FASTENERS**

- M8 x 20 BHCS (4)
- M8 FW (8)
- M8 x 25 (4)
- M8 FN (8)



21. If fitting a winch drop winch in from top, and used bolts supplied with winch to secure to cradle from underneath

**TOOLS REQUIRED**  
Depends on hardware supplied with winch

**FASTENERS**  
Supplied with winch





22. Fit winch fairlead as shown with hardware supplied with winch

**TOOLS REQUIRED**

Depends on kit supplied with winch

**FASTENERS**

Supplied with winch



- 23. If fitting optional stealth hoop, position it on top as shown and secure with M10 hardware, with nut from below
- 24. Put logo plate on the front

**TOOLS REQUIRED**

**16mm spanner + 17mm spanner**

**FASTENERS**

- M10 x 30 Hex bolt (2)
- M10 FW (2)
- M10 SW (2)
- M10 NY (2)



25. If fitting Optional round top hoop, fit as shown, with M12 hardware coming from underneath

**TOOLS REQUIRED**

**18mm spanner**

**FASTENERS**

M12 x 30 (2)  
M12 FW (2)  
M12 SW (2)





26. If fitting optional skid plate, hold plate up to bottom of bull bar and start the 4 x M8 x 30 button head cap screws with washers to hold plate in place

**TOOLS REQUIRED**  
5mm allen key

**FASTENERS**  
M8 x 30 BHCS (4)  
M8 FW (4)



- 27. Position Skid plate mount bracket as shown. Secure to skid plate with M10 bhcs. Leave loose for the moment. Repeat for other side.
- 28. Bending the steam on the nut plate position through gap as shown, and secure mount bracket to cross member with M10 hex bolt
- 29. Once all in position torque up all bolts securing skid plate to bar and vehicle.

**TOOLS REQUIRED**

**6mm allen key  
16mm socket or spanner**

**FASTENERS**

M10 x 30 hex (2)  
M10 x 25 BHCS (2)  
M10 FW (4)  
M10 nut plates Lollipops (2)  
M10 FN (2)



30. Offroad Animal suggest purchasing our Number plate flip and fitting as shown

**TOOLS REQUIRED**

**FASTENERS**



31. You're now finished, go out and enjoy your new bull bar

**TOOLS REQUIRED**

**FASTENERS**