



FRONT RADIUS ARM DROP BOX

Installation Instructions
Part No. DBOX001

To Suit: Toyota

- Landcruiser 80 Series
- Landcruiser 105 Series

Kit Contains:

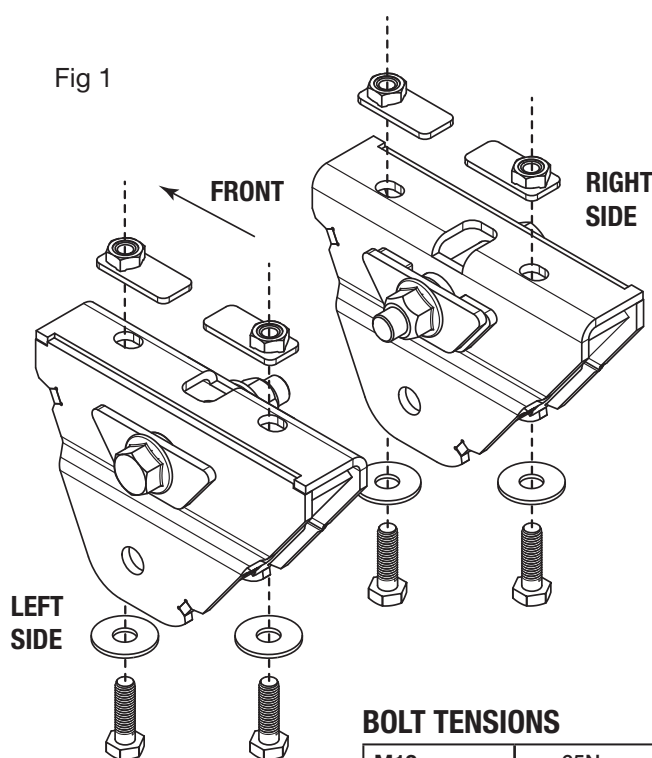
- 1 x Drop Box Left
- 1 x Drop Box Right
- 2 x M18 x 100mm Bolt, Nuts and Washers
- 2 x Welded Nut/Plate Insert
- 4 x M12 Bolts, Nuts and Washers
- 4 x Shaped Washers
- 2 x Ironman Stick on Logo

Radius Arm Drop Box Kit to correct caster angle by 3.5° and reposition axle 15mm forward for wheelbase correction.

Installation

1. Safely raise and support vehicle on hoist or jack stands.
2. Support front axle housing with a suitable jack or axle stands.
3. Loosen left or right front radius arm mounting bolts and unmount from axle housing (Only remove one radius arm at a time).
4. Loosen and remove rear radius arm nut and bolt.
5. Place the threaded inserts into the chassis above new drop box. Position the drop box into the original chassis cradle, ensuring the side with the welded spacer plate is facing the gearbox. Refer Fig 1. Ensure the threaded inserts line up with the hole in the dropbox.
6. Install the new M18 bolts, washers and nuts through the original mounting. Do not tighten yet.
7. Install the new M12 bolts and washers into the threaded plate inserts and tension as specified.
8. Install the radius arm to the new drop box mounting point using the original M18 bolt and nut. Do not tighten at this stage.
9. Reinstall remaining radius arm nuts and bolts. Do not tighten at this stage.
10. Carry out the same procedure for the other side.
11. Remove vehicle from hoist and/or jack stand and allow vehicle to settle on flat ground under its own weight.
12. Tighten all radius arm nuts and bolts at ride height.
13. Clean chassis rail and apply Ironman 4x4 adhesive logo nearby the dropbox.

Fig 1



BOLT TENSIONS

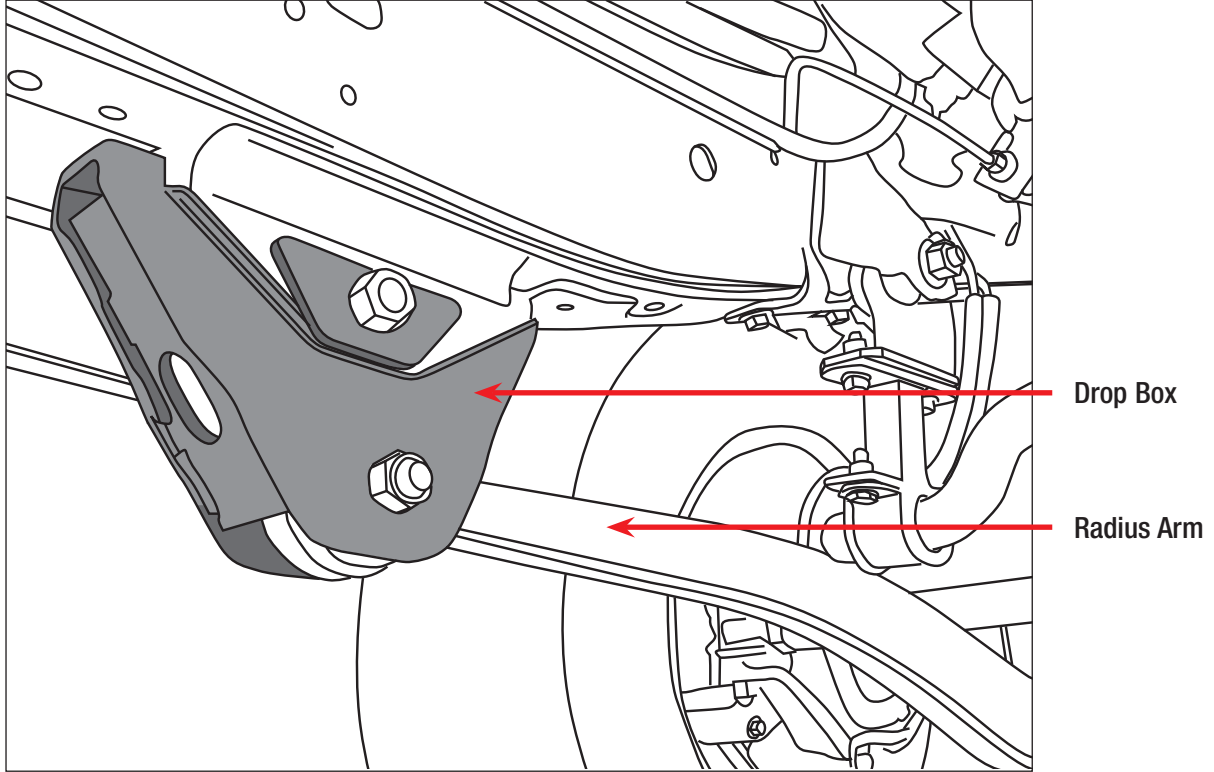
M12	65Nm
M18	160Nm



FRONT RADIUS ARM DROP BOX

Installation
Instructions
Part No. DBOX001

Fig 2



**Warranty will be voided by damage or failure caused by incorrect procedure.
Before proceeding to install Front Radius Arm Drop Box, please fully read instructions and ensure
that necessary tools are on hand.**

Always wear personal safety protection ie. Safety glasses and gloves to prevent injury.

DBOX001/240720