



INSTALLATION GUIDE

BBT033/ BBC033/ BBCD033

TOYOTA HILUX 10/2011



- Ironman 4x4 BBT/ BBC/ BBCD033 Bull Bars fit to a Toyota Hilux 10/2011
- It will take about 3 hours to install.

NOTE: This product has been tested for air bag compatibility and therefore the mounting system **MUST NOT** be modified

IMPORTANT: Bull Bar installations should only be done by a qualified person and it is the responsibility of this person to ensure correct fitment.

1. Before installation check bull bar application is compatible with your vehicle.

2. Remove all mounting hardware holding the lower section of front bumper bar to vehicle.

Remove flares from bumper bar if fitted.

3. Using template as a guide, mask a cut line across bumper bar as shown.



4. Cut along line and remove lower section of bumper.



5. Remove bumper bar reinforcement.



6. Remove four bumper support brackets and modify plastic air deflectors as shown.



7. Trim left hand plastic mud guard liner as shown.



8. Trim right hand plastic mud guard liner as shown.



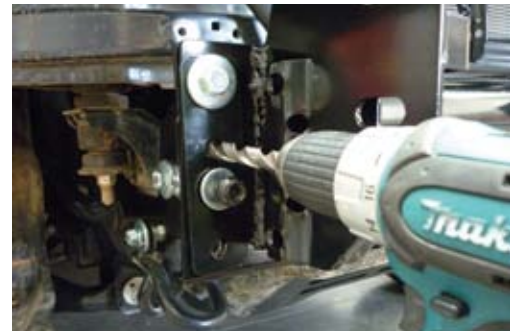
Secure using a modified original lower bumper support bracket as shown.



Bend bracket as shown.



9. Drill factory holes out to to 12.5mm and attach chassis bracket using hardware provided and tighten all bolts.



10. If winch is being installed, refer to winch installation instructions Pages 6 - 10.

11. Unwrap bull bar. Check over riders and light assemblies are tight in bull bar before installation.

12. Fit bull bar to chassis brackets using M12 bolts, flat washers, spring washers and nuts provided.

13. Once bull bar is aligned with vehicle and tightened, drill through pinning holes (circled in red) between bull bar and chassis bracket and secure with bolts, washers and nuts provided.



14. Connect park lights, indicators and fog lights as per wiring diagrams on page 10 of Instruction Guide.

15. Fit protection plates underneath the bull bar using M8 bolts, spring washers and flat washers provided.



Winch Installation

IMPORTANT: Before winch is installed to winch cradle, the clutch handle will need to be rotated to a more convenient position for access through bull bar.

1. Stand winch vertically on motor with gearbox facing upwards.



2. Undo and remove 2 chrome Allen head bolts which hold the gearbox to the tie rods.



3. Lift gearbox off winch.



NOTE: If shaft comes out of cable drum remove it from the gearbox and place it back into the drum making sure it engages with the brake.



NOTE: Also make sure that the drum support bush remains in the end of the drum support housing with the locating tang in the correct position.



4. Undo and remove 10 Allen head bolts that hold the gearbox housing to the drum support housing and rotate the drum support housing to the desired location.

For most Ironman 4X4 bull bars the gearbox will need to be rotated 2 holes in an anti clockwise direction. Make sure the gearbox gasket does not tear.



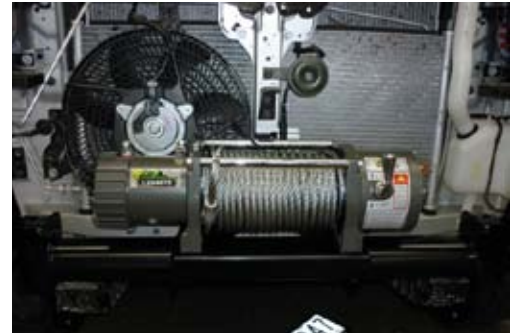
5. Re-install 10 bolts and tighten firmly.
NOTE: Take care not to over-tighten.



6. Refit gearbox to winch, refit and tighten Allen head bolts into tie rods.



7. Bolt winch to cradle with gearbox to the left hand side of vehicle and cable spooling from bottom of the cable drum using bolts and washers provided.



8. Bolt roller fairlead to recess in front of bull bar using bolts, washers and nuts provided.



9. Fit bull bar to vehicle referring to steps 11 - 15 of bull bar fitting instructions.

10. If winch control box is being fitted to top of bull bar remove control box bracket from control box.

11. Place control box on top of centre pan of bull bar with socket for hand controller facing outwards from vehicle. Mark position of the four mounting bolts.

Drill four holes to 6.5mm. Rust proof and de burr and attach control box to bar.



12. Connect three colour coded cables to the corresponding poles on winch motor.



13. Connect the thin black earth wire and negative battery cable to the earth connection on the opposite side of winch motor.



14. Run the positive and negative battery cables into the engine bay taking care to secure cables away from any sharp or moving objects.

Connect negative battery cable to the main battery.

15. Find a convenient location close to main battery to mount battery isolation switch.

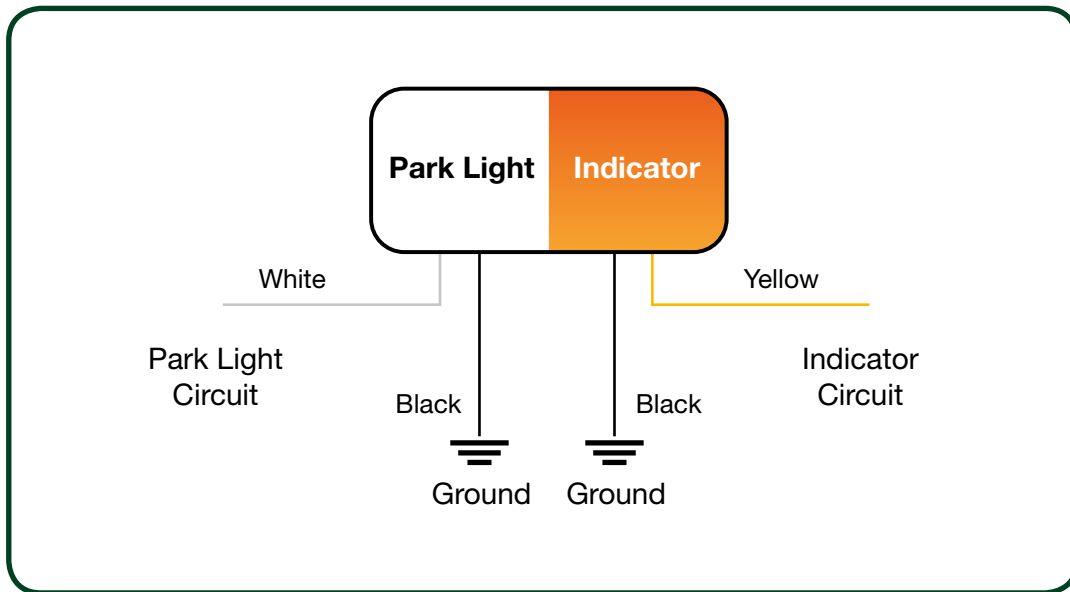
Connect positive battery cable to one side of isolation switch and connect other side to the positive battery terminal of main battery.



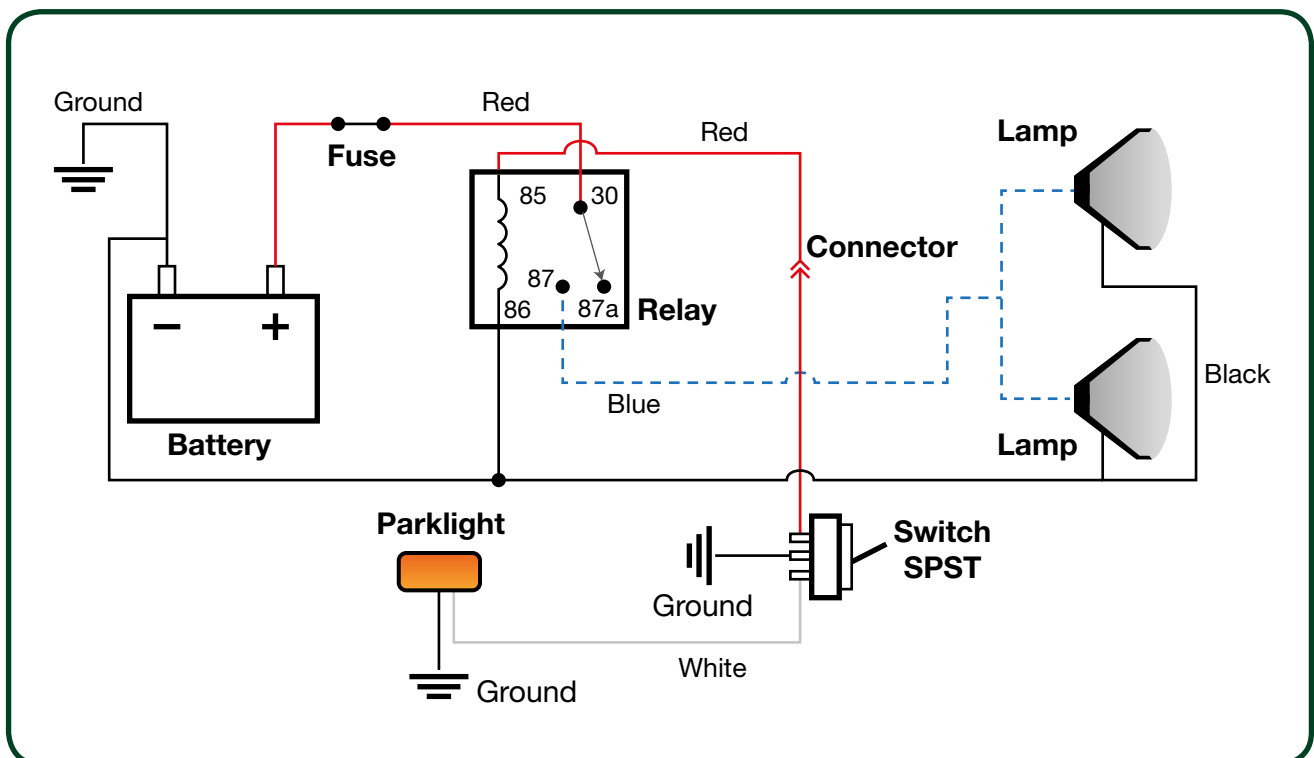
16. Once completed, refer back to step 11 of bull bar fitting instructions.

Wiring Diagrams

PARK LIGHT & INDICATOR



FOG LIGHTS



**TOYOTA HILUX 10/2011 On
IRONMAN 4X4 BULLBAR
BUMPER CUTTING TEMPLATE**

+61 3 9532 1111
1300 731 137

www.ironman4x4.com

*Be sure to disable page scaling, when printing.

